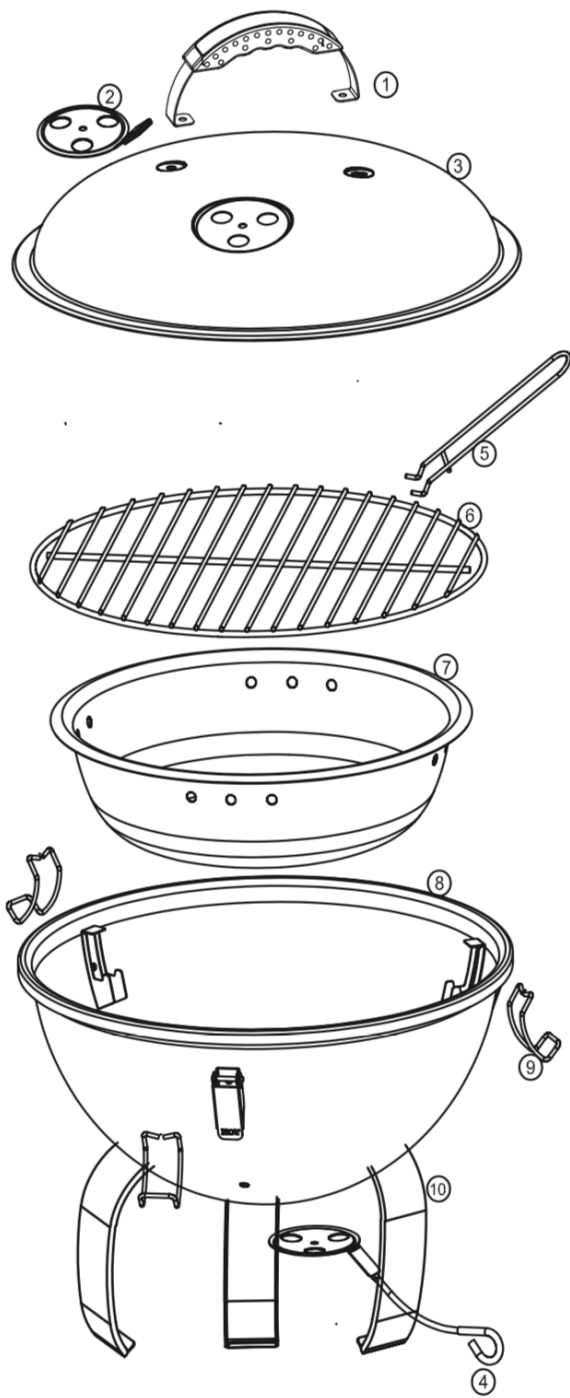




Arpe Barbecue Kettle Compact

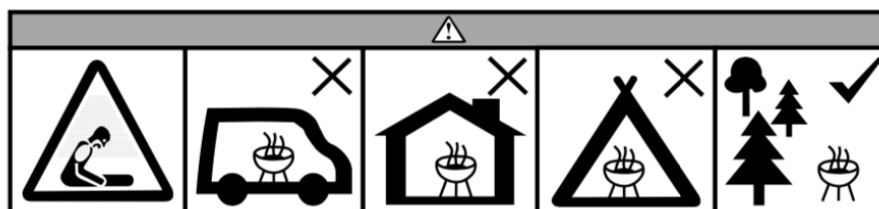
Instruction manual

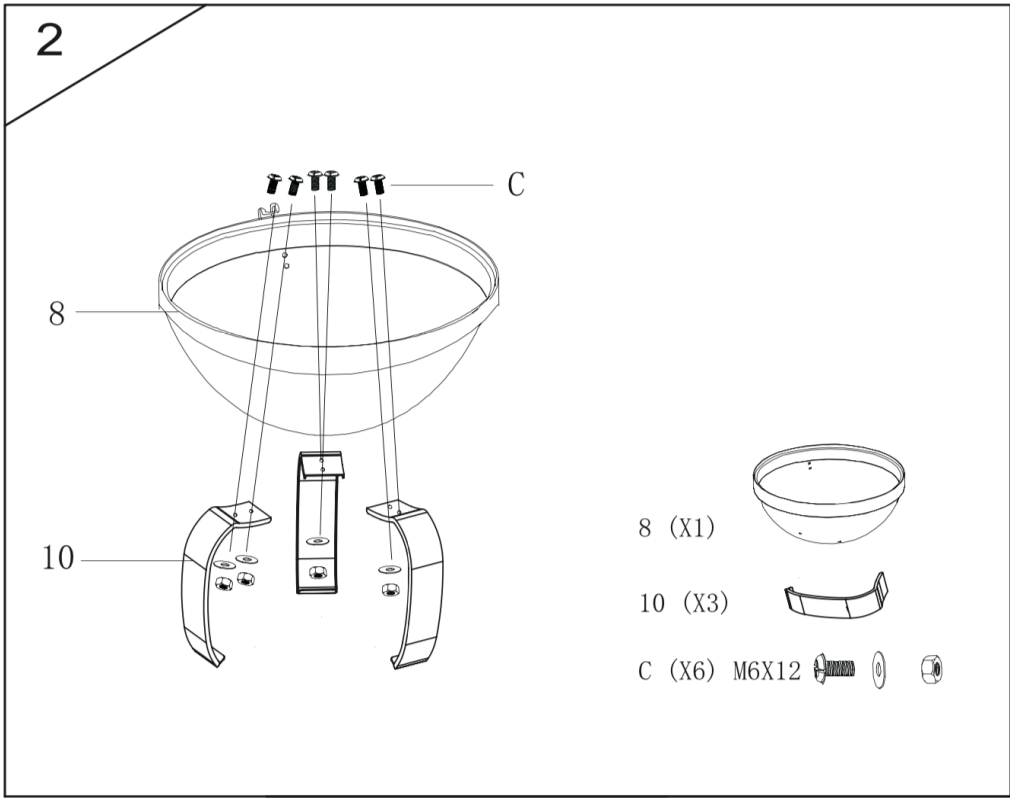
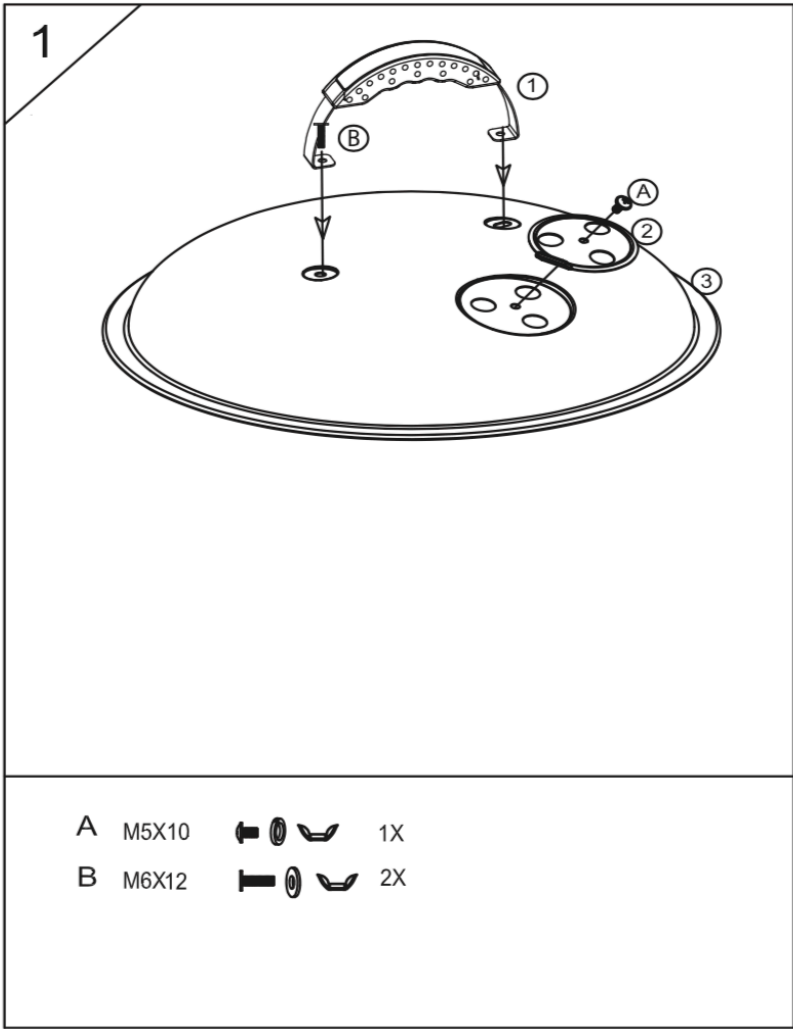


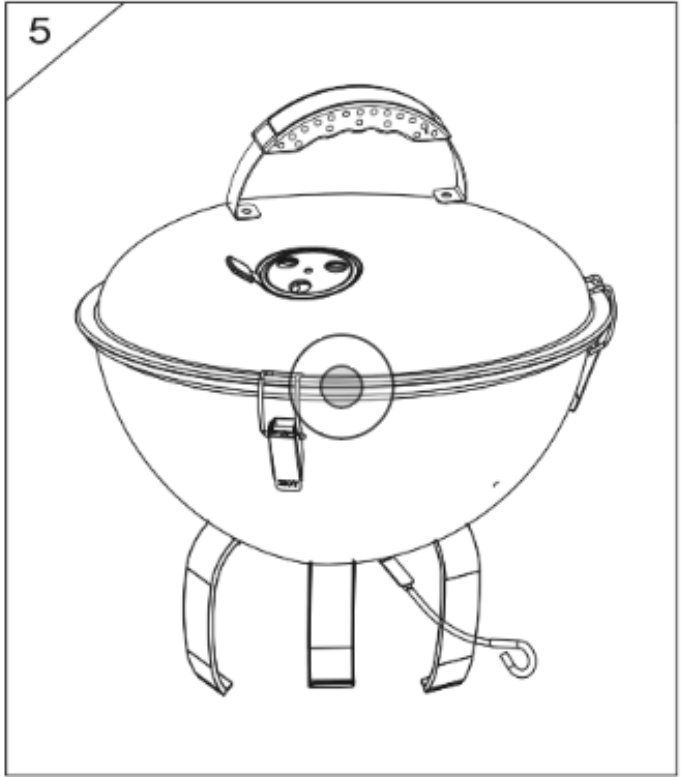
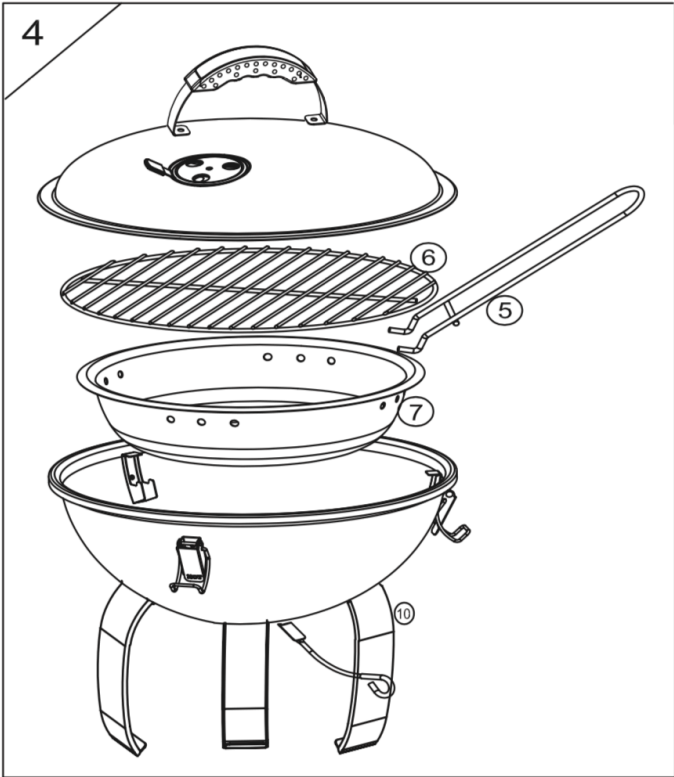
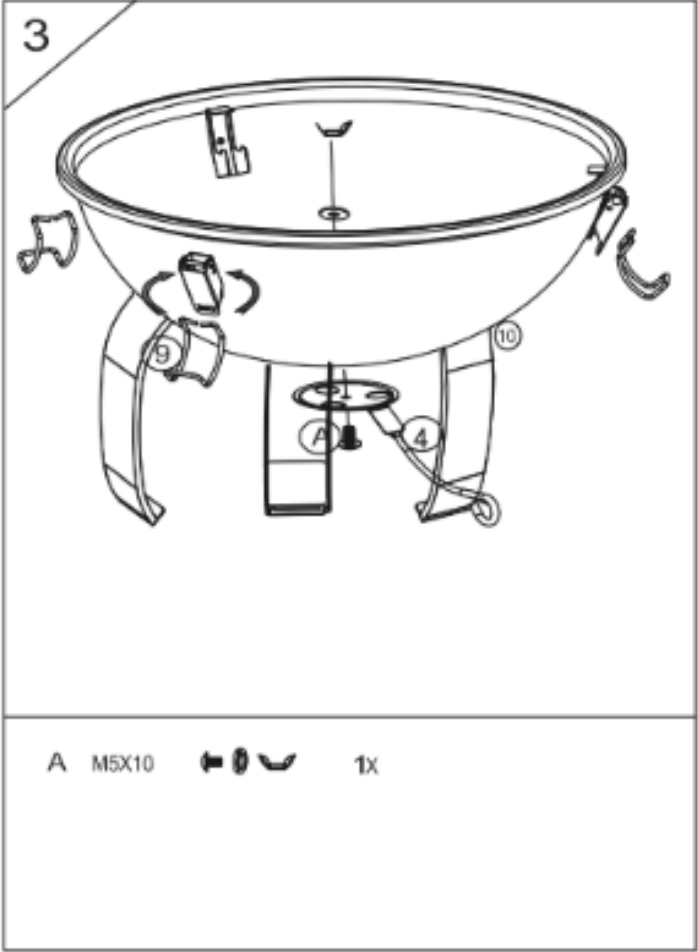


1		1X
2		1X
3		1X
4		1X
5		1X
6		1X
7		1X
8		1X
9		3X
10		3X

A	M5X10		2X
B	M6X12		2X
C	M6X12		6X







Ⓞ Assembly instructions

IMPORTANT, RETAIN FOR FUTURE REFERENCE: READ CAREFULLY.

ATTENTION! Check all parts for completeness, before beginning assembly.

ATTENTION! To avoid accidents or injuries from sharp edges assemble and use with caution. For assembly you need a Phillips screwdriver and different screw wrenches. We recommend you assemble the appliance with two persons.

CONSIDER BEFORE USE:

- Do not move while the appliance is hot.
- Due to safety reasons do not use this appliance with liquid fuels.
Recommend to use charcoal with max.amount 0.4kg
- This barbecue should be installed on a flat and levelled surface, away from flammable materials and substances.

NOTES FOR USE:

1. Distribute the solid firelighters in the centre of the fire box.
2. Stack up the coal in a pyramid above the firelighters.
3. Light the solid firelighters with a match.
4. Grease the grill with some vegetable oil and start grilling.
5. Only place food on the grill after the fuel is covered with an ash layer.
6. Control the amount of air supplied from the bottom to the fuel using the ventilation slider. (Only applicable for appliance with ventilation slider)
7. This barbecue should be heated up and charcoal kept red hot for at least 30 minutes prior to the first cooking.

Do not cook before the fuel has a coating of ash.

WARNING! This barbecue will become very hot, do not move it during operation.

Do not use indoors!

WARNING! Do not use spirit or petrol for lighting or re-lighting! Use only firelighters complying to EN 1860-3!

WARNING! Keep children and pets away.

Do not use the barbecue in a confined and/or habitable space e.g. houses, tents, caravans, motor homes, boats. Danger of carbon monoxide poisoning fatality.

WARNINGS:

ATTENTION! Always wear gloves when adjusting the grill or other gripping device or other gripping device, the handles of the grill can become very hot during the grilling process.

IMPORTANT! Do not pour water into the appliance while it is still hot.

IMPORTANT! Close the ventilation slider to extinguish the appliance. (Only applicable for appliance with ventilation slider)

MAINTENANCE & STORAGE:

- Clean the appliance with water. Use mild detergent where necessary.
- If the appliance is damaged, please arrange for a qualified technician to repair the product.
- Store the appliance in a dry and clean area.

WARRANTY

A statutory warranty applies for this product.

Damages caused by wrong treatment or operation, by false placement or storage, improper connection or installation, as well as force or other external influences are not covered by this warranty. We recommend careful reading of the operating instructions as it contains important information.

Note:

1. In case this product does not function correctly, please firstly check if there are other reasons, e.g. for electrical appliances interruption of the power supply, or generally incorrect handling are the cause.
2. Please note that, where possible, the following documents or rather information should be provided together with your faulty product:
 - Purchase receipt
 - Model description/Type/Brand
 - Describe the fault and problem as detailed as possible

In the case of a claim for guarantee or defects, please contact the seller.

