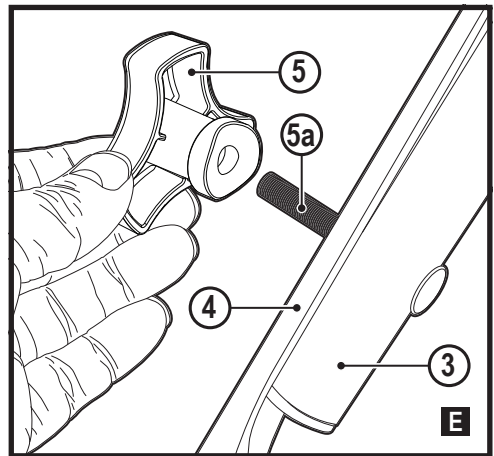
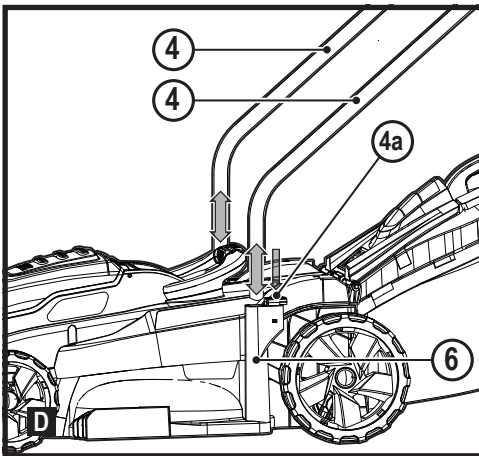
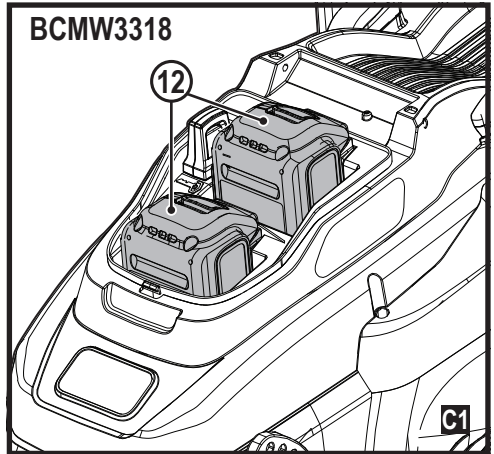
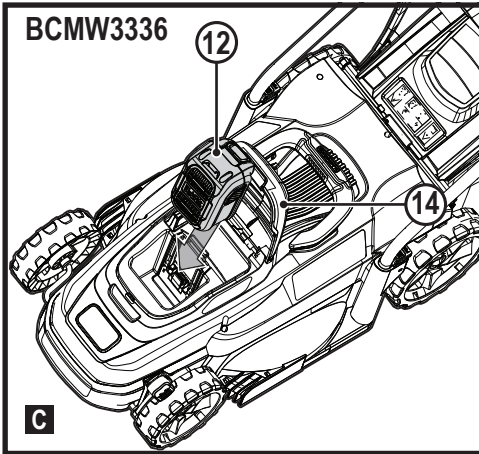
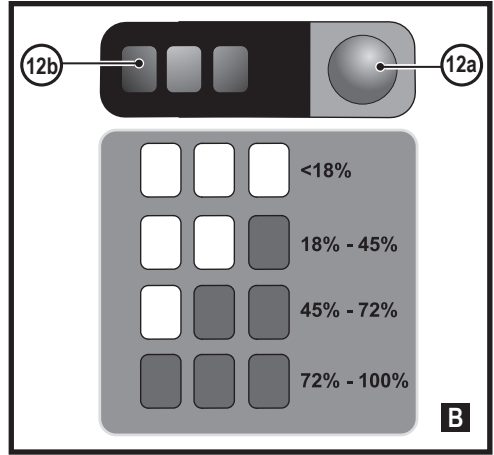
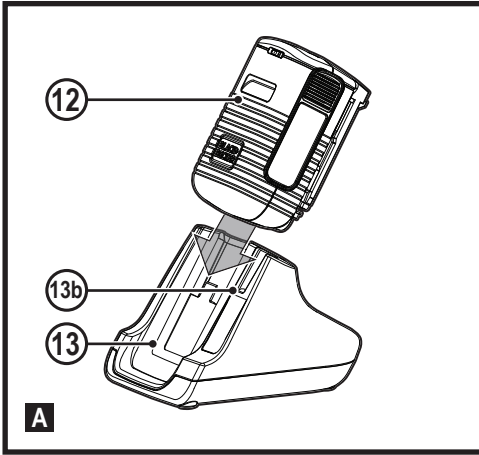
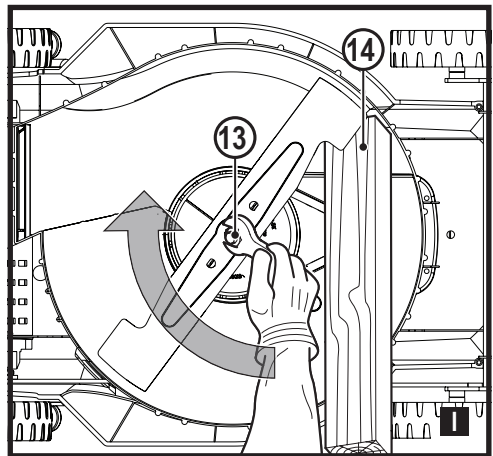
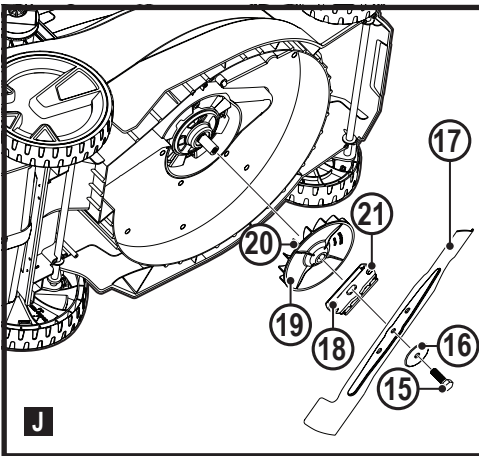
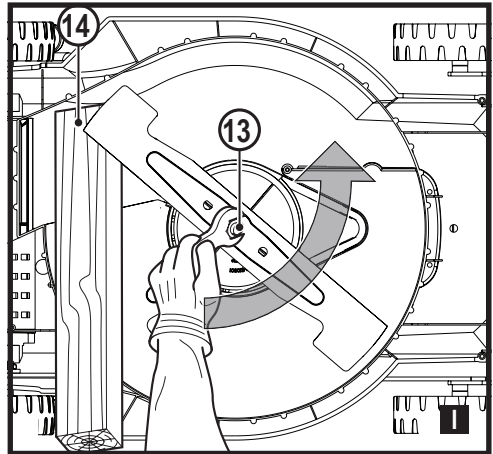
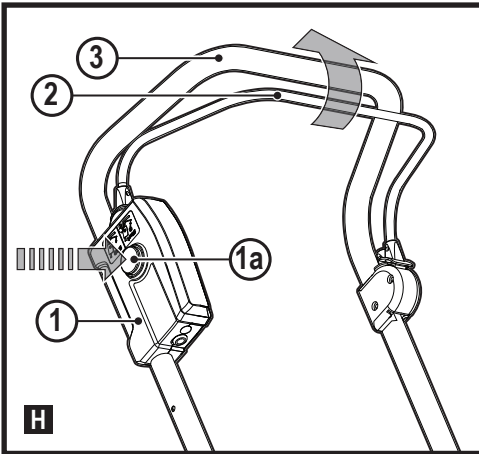
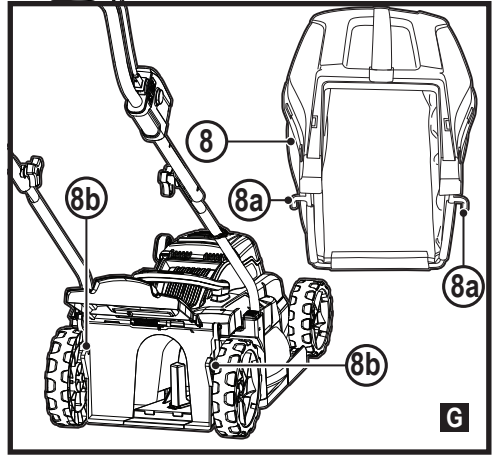
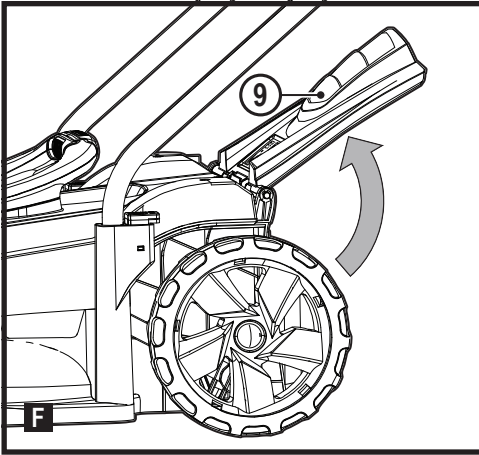
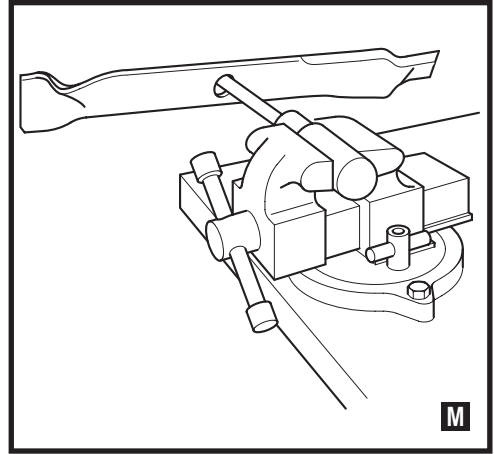
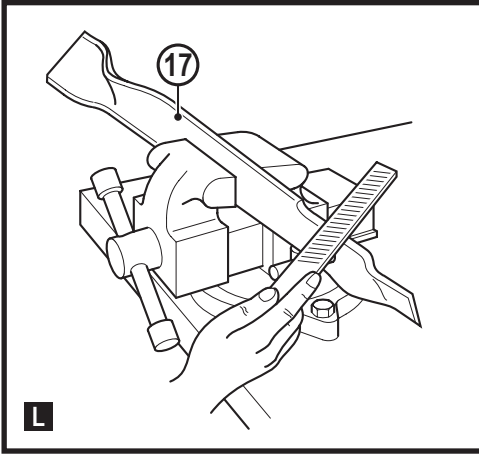


www.blackanddecker.eu

BCM3318
BCM3336







Intended use

Your BLACK+DECKER BCMW3318, BCMW3336 lawn mowers have been designed for mowing grass. These appliances are intended for consumer use only.

Safety instructions

Warning! When using cordless appliances, basic safety precautions, including the following, should always be followed to reduce the risk of fire, electric shock, personal injury and material damage.

Warning! When using the machine the safety rules must be followed.

For your own safety and bystanders please read these instructions before operating the machine. Please keep the instructions safe for later use.

- ◆ Read all of this manual carefully before operating the appliance.
- ◆ The intended use is described in this manual. The use of any accessory or attachment or the performance of any operation with this appliance other than those recommended in this instruction manual may present a risk of personal injury.

- ◆ Retain this manual for future reference.

Using your appliance

Always take care when using the appliance.

- ◆ This appliance is not intended for use by young or infirm persons without supervision.
- ◆ The appliance is not to be used as a toy.
- ◆ Do not allow children or animals to come near the work area or touch the appliance or power supply cord.
- ◆ Close supervision is necessary when the appliance is used near children.
- ◆ Use in a dry location only. Do not allow the appliance to become wet. Do not immerse the appliance in water.
- ◆ Do not open body casing. There are no user serviceable parts inside.
- ◆ Do not operate the appliance in explosive atmospheres, such as in the presence of flammable liquids, gases or dust.

- ◆ To reduce the risk of damage to plugs and cords never pull the cable to remove the plug from a socket.
- ◆ Before using, always visually inspect to see that the blades, blade bolts and cutter assembly are not worn or damaged.
Replace worn or damaged blades and bolts in sets to preserve balance.
- ◆ In order to avoid a hazard due to inadvertent resetting of the thermal cut-out, this appliance must not be supplied through an external switching device, such as a timer, or connected to a circuit that is regularly switched on and off by the utility.
- ◆ Never operate the machine while people, especially children, or pets are nearby.
- ◆ Keep in mind that the operator or user is responsible for accidents or hazards occurring to other people or their property.

Before use

- ◆ While operating the machine always wear substantial footwear and long trousers. Do not operate the machine when barefoot or wearing open sandals. Avoid wearing clothing that is loose fitting or that has hanging cords or ties.
- ◆ Thoroughly inspect the area where the machine is to be used and remove all objects which can be thrown by the machine.

- ◆ Before using, always visually inspect to see that the blade, blade bolt and the blade assembly are not worn or damaged. Replace worn or damaged components in sets to preserve balance. Replace damaged or unreadable labels.

After use

- ◆ When not in use, the appliance should be stored in a dry, well ventilated place out of the reach of children.
- ◆ Children should not have access to stored appliances.
- ◆ When the appliance is stored or transported in a vehicle it should be placed in the boot or restrained to prevent movement following sudden changes in speed or direction.

Inspection and repairs

- ◆ Before use, check the appliance for damaged or defective parts. Check for breakage of parts, damage to switches and any other conditions that may affect its operation.
- ◆ Do not use the appliance if any part is damaged or defective.
- ◆ Have any damaged or defective parts repaired or replaced by an authorised repair agent.
- ◆ Never attempt to remove or replace any parts other than those specified in this manual.
- ◆ Be careful during adjustment of the mower to prevent entrapment of the fingers between moving blades/parts and fixed parts of the machine.

- ◆ When servicing the blades be aware that, even though the power source is switched off, the blades can still be moved.

Additional safety instructions for lawn mowers

- ◆ Do not transport the machine while the power source is running
 - ◆ Firmly grip handle with both hands when operating the lawn mower.
 - ◆ If at any time it is felt necessary to tilt the lawn mower, make sure that both hands remain in the operating position while the lawn mower is tilted. Keep both hands in the operating position until the lawn mower is returned to rest correctly on the ground.
 - ◆ Never wear radio or music headphones while operating the lawn mower.
 - ◆ Never attempt to make a wheel height adjustment while the motor is running or while the safety key is in the switch housing.
 - ◆ If the lawn mower stalls, release bail bar to turn mower off, wait for blade to stop, before attempting to unclog the chute or remove anything from under the deck.
 - ◆ Keep hands and feet away from cutting area.
 - ◆ Keep blades sharp. Always use protective gloves when handling the lawn mower blade.
 - ◆ If you are using the grass collector, check it frequently for wear and deterioration.
- If excessively worn, replace with a new grass collector for your safety.
- ◆ Use extreme caution when reversing or pulling the lawn mower towards you.
 - ◆ Do not put hands or feet near or under the lawn mower.
Keep clear of the discharger opening at all times.
 - ◆ Clear the area where the lawn mower is to be used of objects such as rocks, sticks, wire, toys, bones etc., which could be thrown by the blade.
Objects struck by the blade can cause severe injury to persons. Stay behind the handle when the motor is running.
 - ◆ Do not operate the lawn mower barefooted or while wearing sandals. Always wear substantial footwear.
 - ◆ Do not pull lawn mower backward unless absolutely necessary. Always look down and behind before and while moving backward.
 - ◆ Never direct discharged material toward anyone. Avoid discharging material against a wall or obstruction. Material may ricochet back toward the operator. Release the bail bar to turn the lawn mower off and stop the blade when crossing gravel surfaces.
 - ◆ Do not operate the lawn mower without the entire grass collector, discharge guard, rear guard, or other safety protective devices in place and working. Periodically check all guards and safety protective devices to ensure they are in good working order and will operate properly and perform their intended function.

- Replace a damaged guard or other safety device before further use.
- ◆ Never leave a running lawn mower unattended.
 - ◆ Always release the bail bar to stop the motor and wait until the blade comes to a complete stop before cleaning the lawn mower, removing the grass bag, unclogging the discharge guard, when leaving the lawn mower, or before making any adjustments, repairs or inspections.
 - ◆ Operate lawn mower only in daylight or good artificial light when objects in the path of the blade are clearly visible from the operating area of the lawn mower.
 - ◆ Do not operate the lawn mower while under the influence of alcohol or drugs, or when you are tired or ill. Always stay alert, watch what you are doing, and use common sense.
 - ◆ Avoid dangerous environments. Never operate the lawn mower in damp or wet grass, never use lawn mower in the rain. Always be sure of your footing, walk, never run.
 - ◆ If the lawn mower should start to vibrate abnormally, release the bail bar, wait for the blade to stop and then check for the cause immediately. Vibration is generally a warning of trouble, see the troubleshooting guide for advice in the case of abnormal vibration.
 - ◆ Always wear proper eye and respiratory protection when operating the lawn mower.
- ◆ The use of any accessory or attachment not recommended for use with this lawn mower could be hazardous. Only use accessories approved by BLACK+DECKER.
 - ◆ Never overreach while operating the lawn mower. Always be sure to keep proper footing and balance at all times while operating the lawn mower.
 - ◆ Mow across the face of slopes, never up and down. Exercise extreme caution when changing direction on slopes.
 - ◆ Watch for holes, ruts, bumps, rocks or other hidden objects. Uneven terrain could cause a slip and fall accident. Tall grass can hide obstacles.
 - ◆ Do not mow on wet grass or excessively steep slopes. Poor footing could cause a slip and fall accident.
 - ◆ Do not mow near drop-offs, ditches, or embankments.
You could lose your footing or balance.
 - ◆ Always allow the mower to cool down before storing.
- Pull the plug from the socket and pull the battery pack from the machine. Make sure that all moving parts have come to a complete stop:
- ◆ Whenever you leave the machine;
 - ◆ Before clearing a blockage;
 - ◆ Before checking, cleaning or working on the appliance.

Safety of others

- ◆ This appliance is not intended for use by persons (including children) with reduced physical, sensory or mental capabilities, or lack of experience and knowledge, unless they have been given supervision or instruction concerning use of the appliance by a person responsible for their safety.
- ◆ Children must be supervised to ensure that they do not play with the appliance.
- ◆ After striking a foreign object. Inspect the appliance for damage and make repairs as necessary;

Residual risks.

Additional residual risks may arise when using the tool which may not be included in the enclosed safety warnings. These risks can arise from misuse, prolonged use etc.

Even with the application of the relevant safety regulations and the implementation of safety devices, certain residual risks can not be avoided. These include:

- ◆ Injuries caused by touching any rotating/moving parts.
- ◆ Injuries caused when changing any parts, blades or accessories.
- ◆ Injuries caused by prolonged use of a tool. When using any tool for prolonged periods ensure you take regular breaks.
- ◆ Impairment of hearing.

- ◆ Health hazards caused by breathing dust developed when using your tool (example:- working with wood, especially oak, beech and MDF.)
- ◆ If operating the mower in a damp location is unavoidable, use a residual current device (RCD) with a tripping current of not more than 30 mA. Use of an RCD reduces the risk of electric shock.
- ◆ Never pick up or carry an appliance while the motor is running.

Warning symbols

The following warning symbols are found on the appliance along with the date code:



Warning! Read the manual prior to operation.



Do not expose the appliance to rain or high humidity.



Beware of sharp blades.

Blades continue to rotate after the motor is switched off – Remove disabling device before maintenance or if cord is damaged.



Beware of flying objects. Keep bystanders away from the cutting area.



Wear eye protection



The blades will continue to rotate after the machine is switched off.



Directive 2000/14/EC guaranteed sound power.

Additional safety instructions for batteries and chargers

Batteries

- ◆ Never attempt to open for any reason.
- ◆ Do not expose the battery to water.
- ◆ Do not expose the battery to heat.
- ◆ Do not store in locations where the temperature may exceed 40 °C.
- ◆ Charge only at ambient temperatures between 10 °C and 40 °C.
- ◆ Charge only using the charger provided with the appliance/tool. Using the wrong charger could result in an electric shock or overheating of the battery.
- ◆ When disposing of batteries, follow the instructions given in the section "Protecting the environment".
- ◆ Do not damage/deform the battery pack either by puncture or impact, as this may create a risk of injury and fire.
- ◆ Do not charge damaged batteries.
- ◆ Under extreme conditions, battery leakage may occur. When you notice liquid on the batteries carefully wipe the liquid off using a cloth. Avoid skin contact.
- ◆ In case of skin or eye contact, follow the instructions below.

Warning! The battery fluid may cause personal injury or damage to property. In case of skin contact, immediately rinse with water.

If redness, pain or irritation occurs seek medical attention. In case of eye contact, rinse immediately with clean water and seek medical attention.



Do not attempt to charge damaged batteries

Charger

Your charger has been designed for a specific voltage.

Always check that the mains voltage corresponds to the voltage on the rating plate.

Warning! Never attempt to replace the charger unit with a regular mains plug.

- ◆ Use your Black & Decker charger only to charge the battery in the appliance/tool with which it was supplied. Other batteries could burst, causing personal injury and damage.
- ◆ Never attempt to charge non-rechargeable batteries.
- ◆ If the supply cord is damaged, it must be replaced by the manufacturer or an authorised Black & Decker Service Centre in order to avoid a hazard.
- ◆ Do not expose the charger to water.
- ◆ Do not open the charger.
- ◆ Do not probe the charger.
- ◆ The appliance/tool/battery must be placed in a well ventilated area when charging.



The charger is intended for indoor use only.



Read the instruction manual before use.

Electrical safety



Your charger is double insulated; therefore no earth wire is required.

Always check that the mains voltage corresponds to the voltage on the rating plate. Never attempt to replace the charger unit with a regular mains plug.

- ◆ If the supply cord is damaged, it must be replaced by the manufacturer or an authorised Black & Decker Service Centre in order to avoid a hazard.

Features

This appliance includes some or all of the following features.

1. Switch box
2. Bail handle
3. Upper-handle
4. Lower-handle
5. Upper-handle attachment knobs (2)
6. Lower-handle attachment port (2)
7. Cut height adjust lever
8. Grass collection bag
9. Rear door cover
10. Carrying handles

Charging procedure

BLACK+DECKER chargers are designed to charge BLACK+DECKER battery packs.

- ◆ Plug the charger into an appropriate outlet before inserting the battery pack.
- ◆ Insert the battery pack into the charger.



The green LED will flash indicating that the battery is being charged



The completion of charge is indicated by the green LED remaining on continuously. The pack is fully charged and may be used at this time or left on the charger

Warning! Recharge discharged batteries as soon as possible after use or battery life may be greatly diminished.

Charger diagnostics

This charger is designed to detect certain problems that can arise with the battery packs or the power source. Problems are indicated by one LED flashing in different patterns.

Bad battery



The charger can detect a weak or damaged battery.

The red LED flashes in the pattern indicated on the label. If you see this bad battery blink pattern, do not continue to charge the battery.

Return it to a service center or a collection site for recycling

Hot/cold pack delay



When the charger detects a battery that is excessively hot or excessively cold, it automatically starts a Hot/Cold Pack Delay, suspending charging until the battery has normalized. After this happens, the charger automatically switches to the Pack Charging mode. This feature ensures maximum battery life. The red LED flashes in the pattern indicated on the label when the hot / cold pack delay is detected

Important charging notes

- ◆ Longest life and best performance can be obtained if the battery pack is charged when the air temperature is between 60°F and 80°F (16° - 27°C).
- ◆ DO NOT charge the battery pack in an air temperature below +40°F (+4.5°C), or above +105°F (+40.5°C). This is important and will prevent serious damage to the battery pack.
- ◆ The charger and battery pack may become warm to touch while charging. This is a normal condition, and does not indicate a problem. To facilitate the cooling of the battery pack after use, avoid placing the charger or battery pack in a warm environment such as in a metal shed, or an uninsulated trailer.
- ◆ If the battery pack does not charge properly:
 - ◆ Check current at receptacle by plugging in a lamp or other appliance
 - ◆ Check to see if receptacle is connected to a light switch which turns power off when you turn out the lights.
 - ◆ Move charger and battery pack to a location where the surrounding air temperature is approximately 60°F - 80°F (16° - 27°C).
 - ◆ If charging problems persist, take the tool, battery pack and charger to your local service center.
- ◆ The battery pack should be recharged when it fails to produce sufficient power on jobs which were easily done previously. DO NOT CONTINUE to use under these conditions. Follow the charging procedure. You may also charge a partially used pack whenever you desire with no adverse affect on the battery pack.
- ◆ Foreign materials of a conductive nature such as, but not limited to, steel wool, aluminium foil, or any buildup of metallic particles should be kept away from charger cavities.

Always unplug the charger from the power supply when there is no battery pack in the cavity. Unplug charger before attempting to clean.

- ◆ Do not freeze or immerse charger in water or any other liquid.

Warning! Do not allow any liquid to get inside charger. **NEVER ATTEMPT TO OPEN THE BATTERY PACK FOR ANY REASON. IF THE PLASTIC HOUSING OF THE BATTERY PACK BREAKS OR CRACKS, RETURN TO A SERVICE CENTER FOR RECYCLING.**

Battery state of charge indicator

The battery is equipped with a state of charge indicator. This can be used to display the current level of charge in the battery while in the mower and during charging. It does not indicate tool functionality and is subject to variation based on product components, temperature and end-user application.

Checking state of charge:

- ◆ Press the state of charge indicator button (12a).
- ◆ The three LEDs (12b) will illuminate indicating the percent of charge in the battery. See chart in figure B.
- ◆ If LED light does not illuminate, charge battery.

To install battery packs (fig. C, C1)

- ◆ Lift the battery port cover (14) up to expose the battery port.
- ◆ Slide the battery (12) into the battery port until it is fully seated and an audible click is heard (figure C).
Make sure battery pack is fully seated and fully latched into position. The BCMW3318 unit has two battery ports as shown in Figure C1.
- ◆ Close the battery port cover. Ensure the cover is fully latched before starting mower.

To remove battery packs:

- ◆ Open the battery port cover (14) as described above.
- ◆ Depress the battery release button on the battery pack and pull battery pack out of tool.

Assembly

Warning! Before assembly, make sure the bail handle is released.

Attaching lower handle

- ◆ Push the button (4a) on the lower handle attachment port (6) and insert the lower handle (4). Adjust the height to your requirement.

Note! Ensure each side of the lower handle is set at the same height.

Attaching upper handle (fig. H)

The upper handle has two different mounting position holes to adjust length of the handle from deck.

The first set of holes near the bottom of the upper handle tube allows for maximum handle length. Using the top mounting position will shorten handle length

- ◆ Remove the upper-handle attachment knobs (5) and bolt (5a) from the upper handle.
- ◆ Line up the holes on the bottom of the upper handle (3) with the holes on the top of the lower handle (4).
- ◆ From the outside of the upper handle (3), slide the bolt through the holes.
- ◆ Rotate the upper handle into its operating position.
- ◆ Tighten the upper handle attachment knobs (5).

Securing the motor cable (fig. I)

Warning: Attach cable so that it does not become stretched or pinched in the joints of the handles during use or folding. This can cause damage to the cord.

The motor cable has to be fixed to the handles using the cable restraints that are already attached to the handle.

To clip the cable to the handle:

- ◆ Place the handles in operating position, see "Attaching lower handle" section.
- ◆ Run the cable up the front of the lower and upper handles.
- ◆ Pull back the cable restraint.
- ◆ Slide the motor cable under the clip and ensure it is fully held in place by the restraint.

Mulching

Warning! Remove key and Battery packs before removing Side discharge attachment and Collection bag, and when installing mulching insert.

- ◆ Ensure the side discharge attachment and the collection bag are not attached.
- ◆ Lift the rear door cover (9) and slide the mulching insert fully into the mower
- ◆ Ensure the rear door cover fully closes before turning mower on.

Operation

Read this instruction manual before operating your mower. See "Features" to familiarize yourself with the location of various controls and adjustments. Save this manual for future reference.

Warning! Let the mower work at its own pace. Do not overload.

Warning! Sharp moving blade. Do not operate the mower in side discharge or mulching mode if the rear door is not closed under spring tension as serious injury could result. Take your mower to the nearest service center for repair.

Adjusting mower height

The height of cut is adjusted by the cut height adjust lever.

Note: If you are not sure which height to cut, begin mowing with the height adjustment lever (7) in the right position.

Adjust the height down as needed.

Fitting the grass collection bag (fig. F, G)

- ◆ Lift the rear door cover (9) as shown in figure (F).
- ◆ Place the grass collection bag (8) onto the mower so the bag hooks (8a) rest on the lugs (8b) as shown in figure (G). Then lower the rear door.

Starting mower (fig. H)

Warning! Sharp moving blade. Never attempt to override the operation of this switch box as serious injury could result.

Note: Mower is operational when battery or batteries are installed.

- ◆ Your mower is equipped with a special on-off switch box. To operate the mower, push the button (1a) on the switch box (1), then pull the bail handle (2) to the handlebar as shown in figure H. Once the mower starts you can release the button.
- ◆ To turn the mower off, just release the bail handle.

Warning! Never attempt to lock a switch or bail handle (2) in the on position.

Note: Once the bail handle has returned to the original position it will activate the “Automatic Braking Mechanism”. The motor is electrically braked and the mower blade will stop rotating in 3 seconds or less.

Mower overload

To prevent damage due to overload conditions, do not try to remove too much grass at one time. Slow down your cutting pace, or raise the cut height.

Storage

Warning! Rotating blade can cause serious injury.

Release bail handle (2) to turn mower off, remove battery before lifting, transporting, or storing the mower. Store in a dry place.

Warning! To avoid being pinched, keep fingers away from area between handles when folding down handles.

Warning! Make sure cord does not become stretched or pinched in the joints of the handles during folding. This can cause damage to the cord.

The handle of the mower can be easily folded down for quick and convenient storage.

Carrying the mower

- ◆ The mower can be carried using the convenient carry handles (10). **DO NOT** attempt to lift the mower by grasping the upper handle (3) or lower handle (4).

Mowing tips

Warning! Always inspect area where mower is to be used and remove all stones, sticks, wire, bones, and other debris which might be thrown by the rotating blade.

Warning! Mow across the face of slopes, never up-and-down. Exercise extreme caution when changing direction on slopes. Do not mow excessively steep slopes. Always maintain good footing.

- ◆ Release bail handle to turn mower “Off” when crossing any gravel area (stones can be thrown by the blade).
- ◆ Set mower at highest cutting height when mowing in rough ground or in tall weeds. Removing too much grass at one time can cause the motor to be overloaded and to stop. Refer to troubleshooting guide.
- ◆ If a grass collection bag (8) is used during the fast growing season, the grass may tend to clog up at the discharge opening. Release bail handle to turn mower off and remove the safety key. Remove the catcher and shake the grass down to the back end of the bag. Also clean out any grass or debris which may be packed around the discharge opening. Replace the grass catcher.
- ◆ If mower should start to vibrate abnormally, release bail handle to turn mower off and remove safety key. Check immediately for cause. Vibration is a warning of trouble. Do not operate mower until a service check has been made. Refer to troubleshooting guide in manual.
- ◆ Always release bail handle to turn mower off when leaving it unattended even for a short period of time.

Tips for optimum performance

- ◆ Slow down in areas where the grass is especially long or thick.
- ◆ Avoid mowing when the grass is wet from rain or dew-soaked.
- ◆ Cut your lawn frequently, especially during high growth periods.

Note: It is recommended that your mower be recharged after use to prolong the battery life.

Frequent charging will not harm your battery, and will ensure that the battery is fully charged and ready for its next use. Storing battery not fully charged will shorten battery life.

Removing and installing blade

Warning! When reassembling the blade system, ensure each part is reinstalled correctly, as described below.

Improper assembly of the blade or other parts of the blade system may cause serious injury.

Warning! Release bail handle to turn mower off, wait for the blade to stop, and unplug mower.

- ◆ Cut a piece of 2x4 wood (14) (about 610 mm) to keep blade from turning while removing bolt (13).
- ◆ Wear gloves and proper eye protection.
- ◆ Turn the mower on its side. Be careful of sharp edges of blade. Position wood and unscrew bolt with 13mm wrench

(36) as shown in figure I.

- ◆ Note the orientation of each part as you remove it. Remove bolt (15) and washer (16). Pull off blade (17) as shown in Figure J. Examine all pieces for damage and replace if necessary.
- ◆ The blade can only be attached to the fan (20) in one direction. To reassemble, line up the D-shaped hole of the blade with the D-shaped post of the fan, ensuring the writing on the blade faces out away from the mower.
- ◆ To tighten, position the piece of wood as shown in Figure K to keep the blade from turning. Slide the bolt through the washer and tighten the bolt clockwise into place with a 13mm wrench (13) as shown in Figure K.

Blade sharpening

Keep blade sharp for best mower performance. A dull blade does not cut grass cleanly. Use proper eye protection while removing, sharpening, and installing blade. Ensure that safety key and battery pack is removed.

Sharpening the blade twice during a mowing season is usually sufficient under normal circumstances.

Sand causes the blade to dull quickly. If your lawn has sandy soil, more frequent sharpening may be required.

Note: Replace bent or damaged blade immediately.

When sharpening the blade:

- ◆ Make sure blade remains balanced.
- ◆ Sharpen blade at the original cutting angle.
- ◆ Sharpen cutting edges on both ends of blade, removing equal amounts of material from both ends.

To sharpen blade in a vice (fig. L)

- ◆ Be sure the bail handle is released, the blade has stopped and the mower is unplugged before removing the blade.
- ◆ Remove blade from mower. See instructions for removing and installing blade.
- ◆ Secure blade (17) in a vice.
- ◆ Wear proper eye protection and gloves and be careful not to cut yourself.

Carefully file the cutting edges of the blade with a fine tooth file or sharpening stone, maintaining the angle of the original cutting edge.

Check balance of blade. See instructions for blade balancing.

- ◆ Replace blade on mower and tighten securely.

Blade balancing

Check balance of the blade (17) by placing centre hole in the blade over a nail or round shank screwdriver, clamped horizontally in a vice. If either end of the blade rotates downward, file along the sharp edge of that dropping end. Blade is properly balanced when neither end drops.

Lubrication

No lubrication is necessary. Do not oil the wheels. They have plastic bearing surfaces which require no lubrication.

Cleaning

Release bail handle (2) to turn mower off, let the blade come to a stop. Use only mild soap and a damp cloth to clean the mower. Clean out any clippings which may have accumulated on the underside of the deck. After several uses, check all exposed fasteners for tightness.

Preventing corrosion

Fertilizers and other garden chemicals contain agents which greatly accelerate the corrosion of metals. If you mow in areas where fertilizers or chemicals have been used, the mower should be cleaned immediately afterward as follows: Release bail handle (2) to turn mower off and unplug mower. Wipe all exposed parts with a damp cloth.

Maintenance

Your BLACK+DECKER corded/cordless appliance/tool has been designed to operate over a long period of time with a minimum of maintenance. Continuous satisfactory operation depends upon proper tool/appliance care and regular cleaning.

Warning! Before performing any maintenance on corded/cordless power tools:

- ◆ Switch off and unplug the appliance/tool.
- ◆ Or run the battery down completely if it is integral and then switch off.
- ◆ Unplug the charger before cleaning it. Your charger does not require any maintenance apart from regular cleaning.
- ◆ Regularly clean the ventilation slots in your tool/appliance and charger using a soft brush or dry cloth.
- ◆ Regularly clean the motor housing using a damp cloth. Do not use any abrasive or solvent-based cleaner.
- ◆ Regularly use a blunt scraper to remove grass and dirt from the underneath of the guard.

Troubleshooting

If your appliance seems not to operate properly, follow the instructions below.

If this does not solve the problem, please contact your local BLACK+DECKER repair agent.

Warning! Before proceeding, release the bail bar to turn mower off and wait for the blade to stop .



Separate collection. Products and batteries marked with this symbol must not be disposed of with normal household waste.

Products and batteries contain materials that can be recovered or recycled, reducing demand for raw materials. Please recycle electrical products and batteries according to local provisions. Further information is available at www.2helpU.com

Technical data

		BCM3318	BCM3336
Voltage	Vdc	18V	36V
No-Load Speed	min ⁻¹	3800RPM	3800RPM
Weight	kg	15	15
Blade length	cm	33	33

Batteries				Chargers (minutes)					
Cat#	Vdc	Ah	Weight Kg	Cat#	9090287*	N517388*	BDC1A	BDC2A	BDC2A36
					Amps	400mA	1A	2A	1.35A
BL1518	18	1.5	0.38	BL1518	225	90	90	45	X
BL1518ST	18	1.5	0.38	BL1518ST	225	90	90	45	X
BL2018	18	2.0	0.39	BL2018	300	120	120	60	X
BL2018ST	18	2.0	0.39	BL2018ST	300	120	120	60	X
BL2518	18	2.5	0.43	BL2518	380	150	150	75	X
BL4018	18	4.0	0.64	BL4018	600	240	240	120	X
BL5018	18	5.0	0.7	BL5018	750	300	300	135	X
BL20362	36	2.0	0.64	BL20362	X	X	X	X	90
BL2536	36	2.5	0.68	BL2536	X	X	X	X	110
BL1554	18/54	1.5	1.08	BL1554	225	90	90	45	X
BL2554	18/54	2.5	1.2	BL2554	380	150	150	75	X

Hand/arm weighted vibration value:
= <2.5 m/s², uncertainty (K) = 1.5m/s².

L_{WA} (sound pressure) 74.5 dB(A)
uncertainty (K) = 2.5 dB(A)
L_{WA} (sound power) 86 dB(A)
uncertainty (K) = 1.5 dB(A)

EC declaration of conformity
MACHINE DIRECTIVE
OUTDOOR NOISE DIRECTIVE



BCM3318, BCM3336 lawn mower

Problem	Possible solution
Mower doesn't run when bail handle is activated.	Check to make sure mower is properly plugged in and that the button on switch box is being completely depressed before pulling the bail handle.
	Release bail handle to turn mower off. Remove battery pack, turn mower over and check that blade is free to turn.
	Check that the battery cavity is free of debris and is connected properly.
	Has battery been fully charged? Press state of charge button.
Motor stops while mowing.	Release bail handle to turn mower off. Remove battery pack Turn mower over and check that blade is free to turn.
	Raise cutting height of wheels to highest position and start mower.
	Check that the battery cavity is free of debris and is connected properly
	Has battery been fully charged? Press state of charge button
Mower runs but cutting performance is unsatisfactory,	Avoid overloading the mower. Slow down the cutting pace, or raise the cut height.
	Release bail handle to turn mower off. Unplug mower. Turn mower over and check: <ul style="list-style-type: none"> ◆ Blade for sharpness - Keep blade sharp. ◆ Deck and discharge chute for clogging. Wheel height adjustment may be set too low for grass condition. Raise cutting height.
Mower is too hard to push.	Release bail handle to turn mower off. Unplug mower. Raise cutting height to reduce deck drag on grass. Check each wheel for free rotation
Mower is abnormally noisy and vibrates.	Release bail handle to turn mower off. remove battery pack. Turn mower on side and check blade to ensure it has not been bent or damaged. If blade is damaged, replace with a BLACK+DECKER replacement blade. If the underside of the deck is damaged, return mower to a BLACK+DECKER Authorized service center.
	If there is no visible damage to the blade and the mower still vibrates: <ul style="list-style-type: none"> ◆ Release bail handle to turn mower off. ◆ Remove battery pack. ◆ Disassemble entire blade assembly as described in the "Removing and installing blade" section. ◆ Remove any debris and clean each piece. ◆ Replace each piece as described in the "Removing and installing blade" section.
	If mower still vibrates, return the mower to an authorized BLACK+DECKER authorized service center.
Battery charger LEDs not on.	Check plug connection. Replace charger.
Mower not picking up clippings with bag.	Chute clogged. Release bail handle to turn mower off. Remove battery pack. Clear chute of grass clippings.
	Raise cutting height of wheels to shorten length of the cut.
	Bag full. Empty bag more often.

Protecting the environment

Black & Decker declares that these products described under "technical data" are in compliance with:
2006/42/EC, EN 60335-1:2012 + A11:2014,
EN 60335-2-77:2010

2000/14/EC, Lawn Mower, L < 50cm, Annex VI,
DEKRA Certification B.V. Meander 1051 / P.O. Box 5185
6825 MJ ARNHEM / 6802 ED ARNHEM, Netherlands
Notified Body ID No.: 0344

Level of acoustic power according to 2000/14/EC (Article 12,
Annex III, L < 50cm):

L_{max} (measured sound power) 86 dB(A)
uncertainty (K) = 1.5 dB(A)

L_{min} (guaranteed sound power) 96 dB(A)

These products also comply with directive 2014/30/EU,
2011/65/EU. For more information, please contact Black &
Decker at the following address or refer to the back of the
manual.

The undersigned is responsible for compilation of the technical
file and makes this declaration on behalf of Black & Decker.



Becky Cotsworth
Director – Outdoor Products Group
Black & Decker Europe, 270 Bath Road, Slough,
Berkshire, SL1 4DX
United Kingdom
11/10/2019

Garantie

Black & Decker is confident of the quality of its products and offers consumers a 24 month guarantee from the date of purchase. This guarantee⁷⁵ is in addition to and in no way prejudices your statutory rights. The guarantee is valid within the territories of the Member States of the European Union and the European Free Trade Area.

To claim on the guarantee, the claim must be in accordance with Black&Decker Terms and Conditions and you will need to submit proof of purchase to the seller or an authorised repair agent. Terms and conditions of the Black&Decker 2 year guarantee and the location of your nearest authorised repair agent can be obtained on the Internet at www.2helpU.com, or by contacting your local Black & Decker office at the address indicated in this manual.

Please visit our website www.blackanddecker.co.uk to register your new Black & Decker product and receive updates on new products and special offers.

Verwendungszweck

Ihr BLACK+DECKER Rasenmäher BCMW3318, BCMW3336 wurde zum Mähen von Rasen entwickelt. Diese Geräte sind nicht für den gewerblichen Einsatz vorgesehen.

Sicherheitshinweise

Warnung! Beachten Sie beim Umgang mit kabellosen Geräten stets die grundlegenden Sicherheitshinweise, die im Folgenden beschrieben werden. Dadurch verhindern Sie Brände, Stromschläge sowie Sach- und Personenschäden.

Warnung! Beachten Sie beim Verwenden des Geräts unbedingt die Sicherheitsregeln.

Lesen Sie zu Ihrer eigenen Sicherheit und zum Schutz in der Nähe befindlicher Personen vor Gebrauch des Geräts die folgende Bedienungsanleitung. Heben Sie diese Anleitung zur späteren Verwendung gut auf.

- ◆ Lesen Sie diese Anleitung vollständig und aufmerksam durch, bevor Sie das Gerät verwenden.
- ◆ Der vorgesehene Verwendungszweck ist in dieser Anleitung beschrieben. Bei Verwendung von Zubehör oder Anbauteilen, die nicht in dieser Anleitung empfohlen werden, sowie bei der Verwendung des Geräts in Abweichung von den in dieser Anleitung beschriebenen Verfahren besteht Verletzungsgefahr.
- ◆ Bewahren Sie diese Anleitung auf.

Verwendung des Geräts

Verwenden Sie das Gerät stets mit Umsicht.

- ◆ Das Gerät ist nicht für die unbeaufsichtigte Verwendung durch Kinder oder gebrechliche Personen vorgesehen.
 - ◆ Das Gerät ist kein Spielzeug.
 - ◆ Achten Sie darauf, dass sich im Arbeitsbereich keine Kinder oder Tiere aufhalten. Verhindern Sie, dass Kinder das Gerät oder das Netzkabel berühren.
 - ◆ Seien Sie besonders vorsichtig, wenn Sie das Gerät in der Nähe von Kindern verwenden.
 - ◆ Verwenden Sie das Gerät nur in trockener Umgebung. Achten Sie darauf, dass das Gerät nicht nass wird. Tauchen Sie das Gerät nicht in Wasser.
 - ◆ Versuchen Sie nicht, das Gehäuse zu öffnen. Es gibt keine vom Benutzer zu wartenden Teile im Inneren des Geräts.
 - ◆ Betreiben Sie das Gerät nicht in explosionsgefährdeter Umgebung, in der sich brennbare Flüssigkeiten, Gase oder Staub befinden.
 - ◆ Ziehen Sie niemals am Kabel, wenn Sie den Stecker aus der Steckdose ziehen möchten. Kabel und Stecker könnten sonst beschädigt werden.
 - ◆ Überzeugen Sie sich vor der Verwendung, dass Mähmesser, Messerschrauben und Mäheinheit weder abgenutzt noch beschädigt sind.
- Ersetzen Sie bei abgenutzten oder beschädigten Messern und Schrauben den entsprechenden Satz, sodass nicht neue und alte Komponenten gleichzeitig verwendet werden.
- ◆ Um eine Gefährdung durch unbeabsichtigtes Wiedereinschalten des Thermoschutzes zu vermeiden, darf dieses Gerät nicht über eine externe Schalteinrichtung wie z. B. einen Zeitgeber versorgt werden oder an einen Schaltkreis angeschlossen werden, der durch den Versorger regelmäßig ein- und ausgeschaltet wird.
 - ◆ Es sollte stets ein Sicherheitsabstand zu anderen Personen, insbesondere Kindern, und Haustieren eingehalten werden.
 - ◆ Beachten Sie, dass der Bediener bzw. Benutzer für eventuelle Personen- oder Sachschäden verantwortlich ist.

Vor dem Gebrauch

- ◆ Tragen Sie stets feste Schuhe und eine lange Hose, wenn Sie mit dem Gerät arbeiten. Betreiben Sie dieses Gerät nie barfuß oder in offenen Sandalen. Tragen Sie keine lose Kleidung oder Kleidung mit herabhängenden Bändern.
- ◆ Kontrollieren Sie stets den Bereich, in dem das Gerät verwendet werden soll, und entfernen Sie alle Gegenstände, die von dem Gerät umhergeschleudert werden können.

- ◆ Überzeugen Sie sich vor der Verwendung, dass Mähmesser, Messerschraube und Mäheinheit weder abgenutzt noch beschädigt sind. Ersetzen Sie bei abgenutzten oder beschädigten Bestandteilen den entsprechenden Satz, sodass nicht neue und alte Komponenten gleichzeitig verwendet werden. Ersetzen Sie beschädigte oder unlesbare Aufkleber.

Nach dem Gebrauch

- ◆ Bewahren Sie das Gerät bei Nichtgebrauch an einem trockenen, gut belüfteten Ort außerhalb der Reichweite von Kindern auf.
- ◆ Kinder sollten keinen Zugang zu aufbewahrten Geräten haben.
- ◆ Wenn das Gerät in einem Fahrzeug transportiert oder gelagert wird, bewahren Sie es im Kofferraum oder einer geeigneten Ablage auf, damit es bei plötzlichen Geschwindigkeits- oder Richtungsänderungen nicht in Bewegung geraten kann.

Inspektion und Reparaturen

- ◆ Prüfen Sie das Gerät vor der Verwendung auf beschädigte oder defekte Teile. Prüfen Sie, ob Teile gebrochen sind, Schalter beschädigt sind oder andere Bedingungen vorliegen, welche die Funktion beeinträchtigen könnten.
- ◆ Betreiben Sie das Gerät nicht, wenn ein Teil beschädigt oder defekt ist.

- ◆ Lassen Sie beschädigte oder defekte Teile in einer Vertragswerkstatt reparieren oder austauschen.
- ◆ Ersetzen oder entfernen Sie keine Teile, für die in dieser Anleitung keine entsprechende Beschreibung enthalten ist.
- ◆ Gehen Sie bei Einstellungen am Rasenmäher vorsichtig vor, um zu verhindern, dass Ihre Finger zwischen den beweglichen Messern/Teilen und feststehenden Teilen des Geräts eingeklemmt werden.
- ◆ Beachten Sie bei Wartungsarbeiten an den Messern, dass sich diese auch ohne Stromversorgung bewegen.

Zusätzliche Sicherheitshinweise für Rasenmäher

- ◆ Transportieren Sie die Maschine nicht, während die Stromversorgung läuft.
- ◆ Halten Sie den Rasenmäher während des Betriebs sicher mit beiden Händen fest.
- ◆ Halten Sie beide Hände in der Betriebsposition, wenn der Rasenmäher gekippt werden muss. Halten Sie beide Hände in der Betriebsposition bis der Rasenmäher wieder ordnungsgemäß auf dem Boden abgestellt wurde.
- ◆ Tragen Sie beim Rasenmähen keine Kopfhörer zum Musikhören.
- ◆ Passen Sie niemals die Höhe der Räder an, während der Motor läuft oder sich der Sicherheitsschlüssel im Schloss befindet.

- ◆ Lassen Sie den Bügelgriff los, um den Rasenmäher auszuschalten, wenn dieser blockiert. Warten Sie, bis das Messer zum Stillstand gekommen ist, bevor Sie versuchen, die Verstopfung zu beseitigen oder Gegenstände von der Unterseite zu entfernen.
- ◆ Halten Sie Hände und Füße vom Schnittbereich fern.
- ◆ Halten Sie die Sägeblätter scharf. Tragen Sie beim Umgang mit dem Messer des Rasenmähers stets Schutzhandschuhe.
- ◆ Wenn der Grasfangbehälter verwendet wird, muss dieser regelmäßig auf Abnutzungen und Beschädigungen überprüft werden. Wechseln Sie aus Sicherheitsgründen den Grasfangbehälter bei starker Abnutzung aus.
- ◆ Seien Sie besonders vorsichtig, wenn Sie den Rasenmäher wenden oder in Ihre Richtung ziehen.
- ◆ Bringen Sie Hände oder Füße nicht in die Nähe bzw. unter den Rasenmäher. Halten Sie jederzeit einen Sicherheitsabstand zur Auswurföffnung.
- ◆ Entfernen Sie Steine, Äste, Drähte, Spielzeuge, Knochen usw., die in das Messer geraten könnten, aus dem Bereich, in dem der Rasenmäher verwendet wird. Objekte, die in das Messer geraten, können ernsthafte Verletzungen verursachen. Bleiben Sie hinter dem Griff, wenn der Motor läuft.
- ◆ Betreiben Sie den Rasenmäher weder barfuß noch mit Sandalen. Tragen Sie jederzeit festes Schuhwerk.
- ◆ Ziehen Sie den nur Rasenmäher nur rückwärts, wenn dies unbedingt erforderlich ist. Achten Sie stets auf den Boden und den Bereich hinter Ihnen, bevor und während Sie sich rückwärts bewegen.
- ◆ Achten Sie darauf, dass das Material nicht in Richtung von Personen ausgeworfen wird. Achten Sie darauf, dass das Material nicht in Richtung von Wänden oder anderen Gegenständen ausgeworfen wird. Das Material kann gegen den Bediener zurückgeschleudert werden. Lassen Sie den Bügelgriff los, und warten Sie, bis das Messer zum Stillstand gekommen ist, bevor Sie Kiesoberflächen überqueren.
- ◆ Betreiben Sie den Rasenmäher nicht ohne angebrachten und intakten Grasfangbehälter, Auswurfschutz, hinteren Schutz und andere Schutzvorrichtungen. Überprüfen Sie regelmäßig alle Schutz- und Sicherheitsvorrichtungen auf deren ordnungsgemäße Funktion. Ersetzen Sie beschädigte Schutz- und Sicherheitsvorrichtungen vor der weiteren Verwendung.
- ◆ Lassen Sie den eingeschalteten Rasenmäher niemals unbeaufsichtigt.

- ◆ Lassen Sie stets den Bügelgriff los, warten Sie, bis das Messer zum Stillstand gekommen ist, wenn Sie den Rasenmäher reinigen, den Grasfangbeutel entfernen, Verstopfungen aus der Auswurföffnung beseitigen, den Rasenmäher unbeaufsichtigt lassen bzw. Anpassungen vornehmen oder Reparaturen und Inspektionen ausführen.
 - ◆ Betreiben Sie den Rasenmäher nur bei Tageslicht oder bei ausreichender Beleuchtung, sodass Gegenstände auf dem Schnittpfad vom Betriebsbereich des Rasenmähers aus deutlich sichtbar sind.
 - ◆ Betätigen Sie den Rasenmäher nicht, wenn Sie unter Alkohol- oder Drogeneinfluss stehen oder wenn Sie müde oder krank sind. Bleiben Sie immer aufmerksam, achten Sie darauf, was sie tun und setzen Sie den gesunden Menschenverstand ein.
 - ◆ Meiden Sie gefährliche Umgebungen. Betreiben Sie den Rasenmäher nicht in feuchtem oder nassem Gras. Verwenden Sie den Rasenmäher keinesfalls im Regen. Achten Sie auf Trittsicherheit. Betreiben Sie das Gerät nur im Gehen, nie rennend.
 - ◆ Lassen Sie den Bügelgriff los, warten Sie, bis das Messer zum Stillstand gekommen ist, wenn Sie ungewöhnliche Vibrationen des Rasenmähers bemerken, und prüfen Sie die Ursache.
- Im Allgemeinen deutet Vibration auf ein Problem hin. Im Fall einer ungewöhnlichen Vibration des Geräts finden Sie unter „Problembehebung“ weitere Informationen.
- ◆ Tragen Sie beim Betreiben des Rasenmähers stets geeigneten Augen- und Atemschutz.
 - ◆ Der Gebrauch von Zubehörteilen oder Zusätzen, die nicht für den Gebrauch mit dem Rasenmäher empfohlen werden, kann gefährlich sein. Verwenden Sie nur von BLACK+DECKER genehmigtes Zubehör.
 - ◆ Beugen Sie sich nicht zu weit nach vorne, wenn Sie den Rasenmäher betreiben. Achten Sie während des Betriebs des Rasenmähers stets auf Ihre Standfestigkeit und Ihr Gleichgewicht.
 - ◆ Mähen Sie stets parallel zum Hang, nie den Hang hinauf oder hinunter. Arbeiten Sie mit äußerster Vorsicht, wenn Sie an Hängen die Richtung wechseln.
 - ◆ Achten Sie auf Löcher, Wurzeln, Bodenunebenheiten, Steine und andere verborgene Objekte. Unebenes Gelände kann zu Unfällen durch Stürze führen. Hohes Gras kann Hindernisse verbergen.
 - ◆ Mähen Sie nie nasses Gras. Mähen Sie nicht an steilen Hängen. Mangelnde Standfestigkeit kann zu Unfällen durch Stürze führen.
 - ◆ Mähen Sie nicht in der Nähe von Abhängen, Gräben oder Böschungen.

Es besteht die Gefahr, dass Sie ausrutschen oder das Gleichgewicht verlieren.

- ◆ Lassen Sie den Rasenmäher vor der Lagerung stets abkühlen.

Ziehen Sie den Stecker aus der Steckdose und ziehen Sie den Akku aus dem Gerät heraus. Achten Sie darauf, dass alle beweglichen Teile zum Stillstand gekommen sind:

- ◆ Wann immer Sie die Maschine verlassen;
- ◆ Bevor Blockaden entfernt werden;
- ◆ Vor dem Überprüfen, Reinigen oder Warten des Geräts.

Sicherheit anderer Personen

- ◆ Dieses Gerät darf nicht von Personen (einschließlich Kindern) mit eingeschränkten physischen, sensorischen oder mentalen Fähigkeiten oder ohne ausreichende Erfahrung oder Kenntnisse verwendet werden, außer wenn diese Personen von einer Person, die für ihre Sicherheit verantwortlich ist, bei der Verwendung des Geräts beaufsichtigt oder mit ihm vertraut gemacht werden.
- ◆ Kinder müssen beaufsichtigt werden, um sicherzustellen, dass sie nicht mit dem Gerät spielen.
- ◆ Nach dem Überfahren eines Fremdkörpers. Überprüfen Sie das Gerät auf Beschädigungen und führen Sie ggf. Reparaturen durch.

Restrisiken.

Beim Gebrauch dieses Geräts verbleiben zusätzliche Restrisiken, die möglicherweise nicht in den Sicherheitswarnungen genannt werden. Diese Risiken bestehen beispielsweise bei Missbrauch oder längerem Gebrauch. Auch bei der Einhaltung der entsprechenden Sicherheitsvorschriften und der Verwendung aller Sicherheitsgeräte bestehen weiterhin bestimmte Restrisiken. Diese sind:

- ◆ Verletzungen, die durch das Berühren von sich drehenden/bewegenden Teilen verursacht werden.
- ◆ Verletzungen, die durch das Austauschen von Teilen, Messern oder Zubehör verursacht werden.
- ◆ Verletzungen, die durch längeren Gebrauch eines Geräts verursacht werden. Legen Sie bei längerem Gebrauch regelmäßige Pausen ein.
- ◆ Beeinträchtigung des Gehörs.
- ◆ Gesundheitsrisiken durch das Einatmen von Staub beim Verwenden des Geräts (beispielsweise bei Holzarbeiten, insbesondere Eiche, Buche und MDF.)
- ◆ Wenn der Mäher an einem feuchten Ort betrieben wird, sollte ein Fehlerstromschutzschalter (RCD) mit einem Auslösestrom von nicht mehr als 30 mA verwendet werden. Ein Fehlerstromschutzschalter verringert das Risiko eines elektrischen Schlags.

- ◆ Nehmen Sie niemals ein Gerät auf, während der Motor läuft.

Warnsymbole

Die folgenden Warnsymbole sind am Gerät inkl. Datumscode angebracht:



Warnung! Lesen Sie vor Inbetriebnahme die Bedienungsanleitung.



Schützen Sie das Gerät vor Regen oder starker Feuchtigkeit.



Vorsicht: Die Messer sind scharf. Die Messer drehen sich nach Abschalten des Geräts einige Sekunden lang weiter. Entfernen Sie die Sperrvorrichtung, bevor Wartungsarbeiten durchgeführt werden oder wenn das Kabel beschädigt ist.



Achten Sie auf Gegenstände, die eventuell umhergeschleudert werden. Halten Sie andere Personen von der Schneidzone fern.



Tragen Sie Augenschutz



Das Messer dreht sich auch nach dem Ausschalten des Geräts weiter.



Garantierter Schalldruckpegel, gemessen nach Richtlinie 2000/14/EG.

Akkus

- ◆ Keinesfalls versuchen, den Akku zu öffnen.
- ◆ Achten Sie darauf, dass der Akku nicht mit Wasser in Berührung kommt.
- ◆ Setzen Sie den Akku keinen hohen Temperaturen aus.
- ◆ Nicht bei Temperaturen über 40 °C lagern.
- ◆ Laden Sie den Akku nur bei Umgebungstemperaturen von 10 °C bis 40 °C auf.
- ◆ Verwenden Sie ausschließlich das mit dem Gerät gelieferte Ladegerät. Das Verwenden eines falschen Ladegeräts kann zu einem Stromschlag oder dem Überhitzen des Akkus führen.
- ◆ Beachten Sie zur Entsorgung von Akkus oder Batterien die Hinweise im Abschnitt „Umweltschutz“.
- ◆ Der Akku darf nicht durch mechanische Krafteinwirkung oder Belastungen beschädigt oder verformt werden. Andernfalls besteht Verletzungs- und Brandgefahr.
- ◆ Laden Sie beschädigte Akkus nicht auf.
- ◆ Unter extremen Bedingungen können Akkus undicht werden. Wenn Sie feststellen, dass aus dem Akku Flüssigkeit austritt, wischen Sie diese vorsichtig mit einem Tuch ab. Vermeiden Sie Hautkontakt.
- ◆ Beachten Sie nach Haut- oder Augenkontakt die folgenden Hinweise. **Warnung!** Die Akkuflüssigkeit kann Verletzungen bzw.

Zusätzliche Sicherheitshinweise für Akkus und Ladegeräte

Sachschäden verursachen. Spülen Sie die Flüssigkeit bei Hautkontakt sofort mit Wasser ab.

Suchen Sie einen Arzt auf, wenn sich auf der Haut Rötungen, Reizungen oder andere Irritationen zeigen. Spülen Sie das Auge nach Augenkontakt sofort mit sauberem Wasser aus, und suchen Sie einen Arzt auf.



Versuchen Sie nie, beschädigte Akkus aufzuladen.

Ladegerät

Das Ladegerät ist für eine bestimmte Spannung ausgelegt.

Stellen Sie sicher, dass die Netzspannung der auf dem Typenschild des Geräts angegebenen Spannung entspricht.

Warnung! Ersetzen Sie das Ladegerät keinesfalls durch ein normales Netzkabel.

- ◆ Verwenden Sie das Black & Decker-Ladegerät nur für den Akku des Werkzeugs, mit dem es geliefert wurde. Andere Akkus können platzen und Sachschäden oder Verletzungen verursachen.
- ◆ Versuchen Sie keinesfalls, nicht aufladbare Akkus zu laden.
- ◆ Bei einer Beschädigung des Netzkabels muss dieses durch den Hersteller oder eine Black & Decker-Vertragswerkstatt ausgetauscht werden, um mögliche Gefahren zu vermeiden.
- ◆ Achten Sie darauf, dass das Ladegerät nicht mit Wasser in Berührung kommt.
- ◆ Versuchen Sie nicht, das Ladegerät zu öffnen.

- ◆ Nehmen Sie am Ladegerät keine Veränderungen vor.
- ◆ Beim Laden des Geräts/Werkzeugs/ Akkus muss auf ausreichende Belüftung geachtet werden.



Das Ladegerät darf nur im Innenbereich verwendet werden.



Vor Gebrauch die Anleitung lesen.

Elektrische Sicherheit



Das Ladegerät ist schutzisoliert, daher ist keine Erdleitung

erforderlich.

Stellen Sie sicher, dass die Netzspannung der auf dem Typenschild des Geräts angegebenen Spannung entspricht. Ersetzen Sie das Ladegerät keinesfalls

durch ein normales Netzkabel.

- ◆ Bei einer Beschädigung des Netzkabels muss dieses durch den Hersteller oder eine Black & Decker-Vertragswerkstatt ausgetauscht werden, um mögliche Gefahren zu vermeiden.

Merkmale

Dieses Gerät verfügt über einige oder alle der folgenden Merkmale.

1. Schaltkasten
2. Bügelgriff
3. Oberer Griff
4. Unterer Griff
5. Befestigungsknöpfe des oberen Griffs (2)
6. Befestigungsanschluss des unteren Griffs (2)
7. Verstellhebel für die Schnitthöhe
8. Grasfangbeutel
9. Hintere Klappe
10. Tragegriffe

Ladevorgang

BLACK+DECKER Ladegeräte sind nur dazu vorgesehen, BLACK+DECKER Akkus aufzuladen.

- ◆ Stecken Sie das Ladegerät in eine geeignete Steckdose, bevor Sie den Akku einsetzen.
- ◆ Setzen Sie den Akku in das Ladegerät ein.



Die grüne LED blinkt, wenn der Akku geladen wird.



Der Abschluss des Ladevorgangs wird dadurch angezeigt, dass die grüne LED dauerhaft leuchtet. Der Akku ist vollständig aufgeladen und kann jetzt verwendet oder in der Ladestation gelassen werden.

Warnung! Laden Sie entladene Akkus so bald wie möglich nach dem Gebrauch wieder auf, da sonst die Akkulebensdauer stark verringert werden kann.

Diagnose des Ladegeräts

Das Ladegerät ist so konzipiert, dass es bestimmte Probleme erkennen kann, die am Akku oder der Stromquelle auftreten können. Probleme werden dadurch angezeigt, dass eine LED in verschiedenen Sequenzen blinkt.

Defekter Akku



Das Ladegerät kann einen schwachen oder beschädigten Akku erkennen.

Die rote LED blinkt mit dem Muster, das auf dem Etikett angegeben ist. Wenn das Blinkmuster für einen defekten Akku zu sehen ist, laden Sie den Akku nicht weiter auf. Bringen Sie ihn zu einem Kundendienstzentrum oder einer Recycling-Sammelstelle.

Verzögerung heißer/kalter Akku



Wenn das Ladegerät erkennt, dass ein Akku übermäßig heiß oder kalt ist, startet es automatisch eine "Verzögerung heißer/kalter Akku", bis sich der Akku normalisiert hat.

Danach schaltet das Ladegerät automatisch in den Akku-Lademodus. Diese Funktion gewährleistet eine maximale Lebensdauer des Akkus. Die rote LED blinkt mit dem Muster, das auf dem Etikett angegeben ist, wenn die "Verzögerung heißer/kalter Akku" erkannt wird.

Wichtige Hinweise zum Aufladen

- ◆ Die längste Lebensdauer und beste Leistung wird erhalten, wenn der Akku bei einer Lufttemperatur zwischen 16° und 27°C aufgeladen wird.
- ◆ Laden Sie den Akku NICHT bei einer Umgebungstemperatur unter +4,5°C oder über +40,5°C auf.
Dies ist wichtig und verhindert schwere Schäden am Akku.
- ◆ Das Ladegerät und der Akku können sich während des Ladevorgangs warm anfühlen.

Dies ist ein normaler Zustand und weist nicht auf ein Problem hin. Um das Abkühlen des Akkus nach dem Gebrauch zu erleichtern, platzieren Sie das Ladegerät und den Akku nicht in einer warmen Umgebung, wie beispielsweise in einem Metallschuppen oder einem nicht isolierten Wohnwagen.

- ◆ Wenn der Akku nicht richtig aufgeladen wird:
 - ◆ Prüfen Sie, ob die Steckdose unter Spannung steht, indem Sie eine Lampe oder ein anderes Gerät an die Steckdose anschließen.
 - ◆ Überprüfen Sie, ob die Steckdose mit einem Lichtschalter verbunden ist, der auch das Gerät ausschaltet, wenn das Licht ausgeschaltet wird.
 - ◆ Bringen Sie Ladegerät und Akku an einen Ort, wo die Umgebungstemperatur ca. 16° - 27°C beträgt.
 - ◆ Wenn die Ladeprobleme bestehen bleiben, bringen Sie Werkzeug, Akku und Ladegerät zu Ihrer lokalen Vertragswerkstatt.
- ◆ Der Akku sollte aufgeladen werden, wenn das Gerät nicht mehr die volle Leistung bringt. Betreiben Sie das Werkzeug in diesem Fall NICHT WEITER. Befolgen Sie die Anweisungen bezüglich des Aufladens. Sie können auch jederzeit einen teilweise entleerten Akku aufladen, ohne dass dies nachteilige Auswirkungen auf den Akku hat.
- ◆ Leitfähige Fremdmaterialien, z.B. unter anderem Stahlwolle, Alufolie oder angesammelte Metallpartikel, sollten von Hohlräumen des Ladegeräts ferngehalten werden.
Ziehen Sie den Netzstecker des Ladegerätes immer aus der Steckdose, wenn kein Akku in der Vertiefung steckt. Ziehen Sie den Netzstecker des Ladegerätes vor dem Reinigen aus der Steckdose.
- ◆ Gerät keinem Spritzwasser aussetzen oder in Wasser oder andere Flüssigkeiten tauchen.

Warnung! Keine Flüssigkeiten in das Ladegerät gelangen lassen.

KEINESFALLS VERSUCHEN, DEN AKKU ZU ÖFFNEN. WENN DAS KUNSTSTOFFGEHÄUSE DES AKKUS BRÜCHE ODER RISSE AUFWEIST, BRINGEN SIE ES ZUM RECYCLING ZU EINER VERTRAGSWERKSTATT.

Ladestandsanzeige des Akkus

Der Akku ist mit einer Ladestandsanzeige ausgestattet. Mithilfe dieser Anzeige kann während des Mäh- und Ladevorgangs der aktuelle Ladestand des Akkus überprüft werden. Sie zeigt nicht die Funktionsfähigkeit des Werkzeugs an und unterliegt Unterschieden, die auf Bauteilen, Temperatur und Anwendungsart des Endbenutzers basieren.

Überprüfung des Ladestatus:

- ◆ Drücken Sie die Taste der Ladestatusanzeige (12a).
- ◆ Die drei LEDs (12b) leuchten und zeigen den Prozentsatz an Ladung im Akku an. Siehe Diagramm in Abbildung B.

- ◆ Leuchtet die LED nicht, muss der Akku geladen werden.

Anbringen von Akkus (Abb. C, C1)

- ◆ Heben Sie die Akkuanschlussabdeckung (14) an, um den Akkuanschluss freizulegen.
- ◆ Schieben Sie den Akku (12) in den Akkuanschluss, bis er vollständig sitzt und ein Klicken zu hören ist (Abbildung C). Stellen Sie sicher, dass der Akku vollständig sitzt und in Position eingerastet ist. Das Modell BCMW3318 besitzt zwei Akkuanschlüsse, siehe Abbildung C1.
- ◆ Schließen Sie die Akkuanschlussabdeckung. Stellen Sie vor dem Start des Rasenmähers sicher, dass die Abdeckung vollständig eingerastet ist.

Entfernen von Akkus:

- ◆ Öffnen Sie die Akkuanschlussabdeckung (14) wie zuvor beschrieben.
- ◆ Drücken Sie die Akku-Lösetaste auf dem Akku und ziehen Sie den Akku aus dem Werkzeug heraus.

Montage

Warnung! Vergewissern Sie sich vor der Montage, dass der Bügelgriff freigegeben wurde.

Anbringen des unteren Griffs

- ◆ Drücken Sie den Knopf (4a) am Befestigungsanschluss des unteren Griffs (6) und setzen Sie den unteren Griff (4) ein. Stellen Sie die Höhe nach Bedarf ein.

Hinweis! Stellen Sie sicher, dass jede Seite des unteren Griffs auf die gleiche Höhe eingestellt ist.

Anbringen des oberen Griffs (Abb. H)

Der obere Griff hat zwei verschiedene Löcher für die Montageposition, um die Grifflänge anzupassen. Der erste Satz Löcher nah an der Unterseite des Rohres des oberen Griffs ermöglicht eine maximale Grifflänge. Bei Verwendung der oberen Montageposition wird die Grifflänge kürzer.

- ◆ Entfernen Sie die Befestigungsknöpfe des oberen Griffs (5) und die Schraube (5a) vom oberen Griff.
- ◆ Richten Sie die Löcher an der Unterseite des oberen Griffs (3) an den Löchern an der Oberseite des unteren Griffs (4) aus.
- ◆ Schieben Sie die Schraube von der Außenseite des oberen Griffs (3) durch die Löcher.
- ◆ Drehen Sie den oberen Griff in seine Betriebsposition.
- ◆ Ziehen Sie die Befestigungsknöpfe des oberen Griffs (5) fest.

Sichern des Motorkabels (Abb. I)

Warnung: Befestigen Sie das Kabel in den Verbindungsstellen der Griffe während des Gebrauchs oder Zusammenklappens so, dass es nicht gespannt oder zusammengepresst wird.

Dies kann Schaden am Netzkabel verursachen.

Das Motorkabel muss mit den Kabelverbindungen, die bereits am Griff befestigt sind, an den Griffen befestigt werden.

Befestigen des Kabels am Griff:

- ◆ Bringen Sie die Griffe in Betriebsposition, siehe den Abschnitt „Befestigung des unteren Griffs“.
- ◆ Führen Sie das Kabel an der Vorderseite der unteren und oberen Griffe nach oben.
- ◆ Ziehen Sie die Kabelrückhaltung nach hinten.
- ◆ Schieben Sie das Motorkabel und den Clip und stellen Sie sicher, dass es in der Rückhaltung sitzt.

Mulchen

Warnung! Entfernen Sie Schlüssel sowie Akkus vor dem Entfernen

der seitlichen Auswurfvorrichtung und des Grasfangbeutels bzw. wenn der Mulcheinsatz angebracht wird.

- ◆ Stellen Sie sicher, dass die seitliche Auswurfvorrichtung und der Grasfangbeutel nicht angebracht sind.
- ◆ Heben Sie die hintere Klappe (9) und schieben Sie den Mulcheinsatz vollständig in den Rasenmäher.
- ◆ Stellen Sie sicher, dass die hintere Klappe vollständig schließt, bevor der Rasenmäher eingeschaltet wird.

Betrieb

Lesen Sie vor Gebrauch des Rasenmähers diese Anleitung. Beachten Sie den Abschnitt "Merkmale", um sich mit der Lage der verschiedenen Bedien- und Einstellelemente vertraut zu machen. Bewahren Sie dieses Handbuch gut auf.

Warnung! Beschleunigen Sie den Arbeitsvorgang nicht mit Gewalt. Vermeiden Sie eine Überlastung.

Warnung! Scharfes, bewegliches Messer. Betreiben Sie den Rasenmäher nicht mit seitlichem Auslass oder zum Mulchen, wenn die hintere Klappe nicht durch die Federn geschlossen ist, da sonst ernsthafte Verletzungen die Folge sein können. Lassen Sie den Rasenmäher in einer Werkstatt in Ihrer Nähe reparieren.

Anpassung der Rasenmäherhöhe

Die Schnitthöhe wird durch den Verstellhebel für die Schnitthöhe angepasst.

Hinweis: Falls Sie sich nicht sicher sind, welche Höhe geschnitten werden soll, dann beginnen Sie mit dem Höhenverstellhebel (7) in der rechten Position.

Justieren Sie die Höhe bei Bedarf.

Anbringen des Grasfangbeutels (Abb. F, G)

- ◆ Heben Sie die hintere Klappe (9) wie in Abbildung (F) dargestellt.
- ◆ Setzen Sie den Grasfangbeutel (8) so auf den Rasenmäher, dass die Haken des Beutels (8a) in den Aussparungen (8b) liegen, wie in Abbildung (G) dargestellt. Öffnen Sie dann die hintere Klappe.

Anlassen des Rasenmähers (Abb. H)

Warnung! Scharfes, bewegliches Messer. Versuchen Sie niemals, die Funktion dieses Schaltkastens zu manipulieren, da dies ernsthafte Verletzungen zur Folge haben kann.

Hinweis: Der Rasenmäher ist betriebsbereit, wenn der Akku bzw. die Akkus eingesetzt wurden.

- ◆ Ihr Rasenmäher ist mit einem speziellen Ein-Aus-Schaltkasten ausgestattet. Um den Rasenmäher zu bedienen, müssen Sie die Taste (1a) auf dem Schaltkasten (1) drücken, ziehen Sie dann den Bügelgriff (2) zur Griffstange, wie in Abbildung H dargestellt. Sobald der Rasenmäher läuft, können Sie die Taste wieder loslassen.
- ◆ Zum Ausschalten des Rasenmähers den Bügelgriff einfach lösen.

Warnung! Versuchen Sie niemals, einen Schalter oder Bügelgriff (2) in der eingeschalteten Stellung zu arretieren.

Hinweis: Sobald der Bügelgriff in die ursprüngliche Stellung zurückgekehrt ist, wird der "Automatische Bremsmechanismus" aktiviert. Der Motor wird elektronisch gebremst, und das Messer des Rasenmähers kommt innerhalb von 3 Sekunden zum Stillstand.

Rasenmäherüberlastung

Um Schäden aufgrund einer Überlastung zu vermeiden, versuchen Sie nicht, zu viel Gras auf einmal zu entfernen. Verlangsamen Sie Ihre Schnittgeschwindigkeit, oder heben Sie die Schnitthöhe an.

Aufbewahrung

Warnung! Das sich drehende Messer kann ernsthafte Verletzungen verursachen.

Lassen Sie den Bügelgriff (2) los, um den Rasenmäher auszuschalten, und entfernen Sie den Akku vor dem Anheben, Transport oder der Lagerung des Rasenmähers. Lagern Sie das Gerät an einem trockenen Ort.

Warnung! Um zu vermeiden, gequetscht zu werden, halten Sie die Finger beim Herunterklappen der Griffe aus dem Bereich zwischen den Griffen fern.

Warnung! Stellen Sie sicher, dass das Kabel in den Verbindungsstellen der Griffe während des Zusammenklappens nicht gespannt oder zusammengepresst wird. Dies kann Schaden am Netzkabel verursachen. Der Griff des Rasenmähers kann für eine schnelle und bequeme Lagerung leicht heruntergeklappt werden.

Tragen des Rasenmähers

- ◆ Mit Hilfe der Tragegriffe (10) kann der Rasenmäher bequem getragen werden. **Versuchen Sie NICHT**, den Rasenmäher anzuheben, indem Sie ihn am oberen Griff (3) oder am unteren Griff (4) anfassen.

Tipps für das Rasenmähen

Warnung! Kontrollieren Sie stets den Bereich, in dem der Rasenmäher verwendet werden soll, und entfernen Sie Steine, Äste, Drähte, Knochen usw., die in das Messer geraten könnten.

Warnung! Mähen Sie stets parallel zum Hang, nie den Hang hinauf oder hinunter. Arbeiten Sie mit äußerster Vorsicht, wenn Sie an Hängen die Richtung wechseln. Mähen Sie nicht an steilen Hängen. Achten Sie auf Trittsicherheit.

- ◆ Lassen Sie den Bügelgriff los, um den Rasenmäher auszuschalten, wenn Sie Bereiche mit Kies überqueren. (Steine können umhergeschleudert werden.)
- ◆ Stellen Sie den Rasenmäher auf die größtmögliche Schnitthöhe ein, wenn Sie unebene Flächen oder hohes Gras mähnen. Wenn zu viel Gras auf einmal geschnitten wird, kann dies eine Überlastung des Motors zur Folge haben und diesen zum Stillstand bringen. Weitere Informationen finden Sie unter "Problembehebung".
- ◆ Wenn der Grasfangbeutel (8) verwendet wird, während das Gras stark wächst, verfängt sich das Gras möglicherweise in der Auswurföffnung. Lassen Sie den Bügelgriff los, um den Rasenmäher auszuschalten, und entfernen Sie den Sicherheitsschlüssel. Entfernen Sie den Grasfangbeutel und schütteln Sie das Gras in den Boden des Grasfangbeutels. Entfernen Sie zudem Gras und Verschmutzungen aus dem Bereich der Auswurföffnung. Tauschen Sie den Grasfangkorb aus.
- ◆ Beginnt der Rasenmäher ungewöhnlich zu vibrieren, lösen Sie den Bügelgriff, um den Rasenmäher auszuschalten und den Sicherheitsschlüssel herauszuziehen. Prüfen Sie sofort die Ursache. Vibrationen weisen auf eine Fehlfunktion hin. Betreiben Sie den Rasenmäher nicht mehr, bis eine Wartung durchgeführt wurde. Weitere Informationen finden Sie in dieser Anleitung unter "Problembehebung".
- ◆ Lassen Sie den Bügelgriff stets los, um den Rasenmäher auszuschalten, wenn Sie den Rasenmäher (auch kurzfristig) unbeaufsichtigt lassen.

Hinweise für optimale Leistung

- ◆ Arbeiten Sie in Bereichen mit besonders langem oder kräftigem Gras langsam.
- ◆ Mähen Sie nicht, wenn das Gras nass vom Regen oder vom Tau durchnässt ist.
- ◆ Mähen Sie den Rasen regelmäßig, besonders in Zeiten starken Wachstums.

Hinweis: Es wird empfohlen, dass Sie Ihren Rasenmäher nach dem Gebrauch wieder aufladen, um die Akkulebensdauer zu verlängern.

Häufiges Laden schadet Ihrem Akku nicht und wird sicherstellen, dass der Akku vollständig aufgeladen und bereit für seinen nächsten Einsatz ist. Die Lagerung eines nicht vollständig geladenen Akkus verkürzt die Akkulebensdauer.

Entfernen und Anbringen von Messern

Warnung! Stellen Sie beim Wiederausammenbau des Messersystems sicher, dass jedes Teil korrekt neu installiert wird, wie unten beschrieben.

Ein unsachgemäßer Zusammenbau des Messers oder sonstiger Teile des Messersystems kann schwere Verletzungen verursachen.

Warnung! Lassen Sie den Bügelgriff los, um den Rasenmäher auszuschalten, warten Sie, bis das Messer zum Stillstand gekommen ist, und ziehen Sie dann den Netzstecker.

- ◆ Schneiden Sie ein Stück 2x4 Holz (14) (ungefähr 610 mm), damit sich das Messer beim Entfernen der Schraube (13) nicht drehen kann.
- ◆ Tragen Sie Handschuhe und eine geeignete Schutzbrille.
- ◆ Kippen Sie den Rasenmäher auf die Seite. Achten Sie auf scharfe Messerklingen. Positionieren Sie das Holz und schrauben Sie die Schraube mit einem 13mm-Schraubenschlüssel (36) ab, wie in Abbildung I dargestellt.
- ◆ Notieren Sie sich bei der Demontage die Lage der einzelnen Teile. Entfernen Sie Schraube (15) und Unterlegscheibe (16). Ziehen Sie Messer (17) wie in Abbildung J gezeigt ab. Untersuchen Sie alle Teile auf Schäden und tauschen Sie sie bei Bedarf aus.
- ◆ Das Messer kann nur in einer Richtung am Lüfter (20) befestigt werden. Schließen Sie für den Wiederausammenbau das D-förmige Loch des Messers mit dem D-förmigen Pfahl des Lüfters bündig ab und stellen Sie sicher, dass die Schrift auf dem Messer vom Rasenmäher weg zeigt.
- ◆ Positionieren Sie das Holzstück zum Festziehen, wie in Abbildung K dargestellt, um zu verhindern, dass sich das Messer dreht. Stecken Sie die Schraube durch die Unterlegscheibe und ziehen Sie die Schraube wie in Abbildung K gezeigt mit einem 13mm-Schraubenschlüssel (13) im Uhrzeigersinn an.

Schärfen des Messers

Halten Sie das Messer scharf, um stets eine optimale Leistung des Rasenmähers zu erzielen. Mit einem stumpfen Messer kann weder ordnungsgemäß gemäht werden. Verwenden Sie beim Entfernen, Schärfen und Anbringen des Messers einen geeigneten Augenschutz. Stellen Sie sicher, dass Sicherheitschlüssel und Akku entfernt sind.

In der Regel ist es ausreichend, das Messer während der Mähseason zweimal zu schärfen.

Sand führt dazu, dass das Messer rasch stumpf wird. Wenn Ihr Rasen einen sandigen Untergrund aufweist, muss das Messer möglicherweise häufiger geschärft werden.

Hinweis: Ersetzen Sie das verbogene oder beschädigte Messer umgehend.

Beim Schärfen des Messers:

- ◆ Stellen Sie sicher, dass das Messer ausbalanciert bleibt.

- ◆ Schärfen Sie das Messer im ursprünglichen Schnittwinkel.
- ◆ Schärfen Sie beide Enden des Messers, und entfernen Sie an beiden Enden die gleiche Menge Material.

So schärfen Sie ein Messer in einem Schraubstock (Abb. L)

- ◆ Stellen Sie vor dem Entfernen des Messers sicher, dass der Bügelgriff gelöst wurde, das Messer gestoppt hat und der Netzstecker gezogen wurde.
- ◆ Entfernen Sie das Messer vom Rasenmäher. Siehe die Anweisungen zum Entfernen und Installieren des Messers.
- ◆ Sichern Sie das Messer (17) in einem Schraubstock.
- ◆ Tragen Sie einen ordnungsgemäßen Augenschutz und Handschuhe und achten Sie darauf, sich nicht zu schneiden. Schärfen Sie die Schneiden des Messers vorsichtig mit einer feinen Feile oder einem Schleifstein. Behalten Sie den ursprünglichen Schnittwinkel bei. Prüfen Sie die Ausbalancierung des Messers. Siehe die Anweisungen zur Messerausbalancierung.
- ◆ Bringen Sie das Messer wieder am Rasenmäher an und ziehen sie es sicher fest.

Messerausbalancierung

Prüfen Sie die Balance des Messers (17), indem Sie das Mittelloch des Messers auf einem Nagel oder einem horizontal in einer Zwinge befestigten Schraubendreher positionieren. Wenn sich ein Ende des Messers nach unten dreht, feilen Sie entlang der scharfen Kante des nach unten fallenden Endes. Das Messer ist ordnungsgemäß ausbalanciert, wenn kein Ende sinkt.

Schmierung

Schmieren ist nicht erforderlich. Ölen Sie die Räder nicht. Die Räder verfügen über Kunststofflager, die nicht geschmiert werden müssen.

Reinigung

Lösen Sie den Bügelgriff (2), um den Rasenmäher auszuschalten, und lassen Sie das Messer zum Stehen kommen. Reinigen Sie den Rasenmäher ausschließlich mit milder Seifenlösung und einem angefeuchteten Tuch. Verwenden Sie ein stumpfes Werkzeug, um geschnittenes Gras von der Unterseite des Rasenmähers zu reinigen. Überprüfen Sie nach mehrmaligem Gebrauch, ob alle Befestigungen fest angezogen sind.

Verhindern von Rost

Düngemittel und andere in Gärten verwendete Chemikalien enthalten Stoffe, die das Rosten von Metallen stark beschleunigen.

Wenn Sie Flächen mähen, auf denen Düngemittel oder Chemikalien verwendet wurden, sollten Sie den Rasenmäher nach dem Gebrauch unmittelbar wie folgt reinigen: Lassen Sie den Bügelgriff (2) los, um den Rasenmäher auszuschalten, und ziehen Sie den Netzstecker. Wischen Sie alle offenliegenden Teile mit einem feuchten Tuch ab.

Wartung

Ihr BLACK+DECKER Gerät (mit und ohne Netzkabel) wurde im Hinblick auf eine lange Lebensdauer und einen möglichst geringen Wartungsaufwand entwickelt. Ein dauerhafter, einwandfreier Betrieb setzt eine regelmäßige Pflege und Reinigung voraus.

Warnung! Vor dem Ausführen jeglicher Wartungsarbeiten an Geräten mit und ohne Netzkabel:

- ◆ Schalten Sie das Gerät aus und ziehen Sie ggf. den Netzstecker.
- ◆ Wenn der Akku integriert ist, entladen Sie diesen vor dem Abschalten vollständig.
- ◆ Ziehen Sie das Ladegerät aus der Netzsteckdose, bevor Sie es reinigen. Das Ladegerät benötigt keine Wartung, es sollte jedoch regelmäßig gereinigt werden.
- ◆ Reinigen Sie regelmäßig die Lüftungsschlitze des Geräts und des Ladegeräts mit einer weichen Bürste oder einem trockenen Tuch.
- ◆ Reinigen Sie das Motorgehäuse regelmäßig mit einem feuchten Tuch. Verwenden Sie keine scheuernden Reinigungsmittel oder Reinigungsmittel auf Lösungsmittelbasis.
- ◆ Entfernen Sie mit einem stumpfen Schaber regelmäßig Gras und Erde von der Unterseite der Schutzvorrichtung.

Fehlerbehebung

Wenn das Gerät nicht richtig zu funktionieren scheint, befolgen Sie die nachfolgenden Hinweise.

Sollte sich das Problem nicht beheben lassen, wenden Sie sich an eine BLACK+DECKER Vertragswerkstatt in Ihrer Nähe.

Warnung! Lassen Sie erst den Bügelgriff los, um den Rasenmäher auszuschalten. Warten Sie dann, bis das Messer zum Stillstand gekommen ist.

Problem	Mögliche Lösung
Der Rasenmäher funktioniert nicht, wenn der Bügelgriff aktiviert wird.	Vergewissern Sie sich, dass der Netzstecker des Rasenmähers richtig eingesteckt ist und dass die Taste am Schaltkasten vollständig gedrückt wird, bevor Sie den Bügelgriff ziehen.
	Lassen Sie den Bügelgriff los, um den Rasenmäher auszuschalten. Entfernen Sie den Akku, kippen Sie den Rasenmäher auf die Seite, und überprüfen Sie, ob sich das Messer frei drehen lässt.
	Stellen Sie sicher, dass das Akkufach frei von Verschmutzungen und ordnungsgemäß angeschlossen ist.
	Wurde der Akku vollständig aufgeladen? Drücken Sie die Taste der Ladestandsanzeige.

Problem	Mögliche Lösung
Der Motor blockiert beim Mähen.	Lassen Sie den Bügelgriff los, um den Rasenmäher auszuschalten. Entfernen Sie den Akku. Kippen Sie den Rasenmäher auf die Seite, und überprüfen Sie, ob sich das Messer frei drehen lässt.
	Stellen Sie die Schnitthöhe der Räder auf die höchste Position ein, und starten Sie den Rasenmäher.
	Stellen Sie sicher, dass das Akkufach frei von Verschmutzungen und ordnungsgemäß angeschlossen ist.
	Wurde der Akku vollständig aufgeladen? Drücken Sie die Taste der Ladestandsanzeige.
	Vermeiden Sie eine Überlastung des Rasenmähers. Verlangsamen Sie die Schnittgeschwindigkeit, oder heben Sie die Schnitthöhe an.
Der Rasenmäher läuft, aber die Schneidleistung ist unbefriedigend.	Lassen Sie den Bügelgriff los, um den Rasenmäher auszuschalten. Ziehen Sie den Netzstecker. Kippen Sie den Rasenmäher auf die Seite, und überprüfen Sie Folgendes: <ul style="list-style-type: none"> ◆ Schärfe des Messers - halten Sie das Messer scharf. ◆ Das Deck und die Auswurföffnung auf Verstopfungen.
	Die Radhöheeneinstellung ist möglicherweise zu niedrig für den gegebenen Rasen. Erhöhen Sie die Schnitthöhe.
Der Rasenmäher lässt sich nur schwer schieben.	Lassen Sie den Bügelgriff los, um den Rasenmäher auszuschalten. Ziehen Sie den Netzstecker. Vergrößern Sie die Schnitthöhe, um den Widerstand durch das Gras zu verringern. Überprüfen Sie, ob sich die Räder frei drehen lassen.
Der Rasenmäher ist ungewöhnlich laut und vibriert.	Lassen Sie den Bügelgriff los, um den Rasenmäher auszuschalten, und entfernen Sie den Akku. Kippen Sie den Rasenmäher auf die Seite, und überprüfen Sie, ob das Messer verbogen oder beschädigt ist. Ersetzen Sie ein beschädigtes Messer ggf. durch ein Ersatzmesser von BLACK + DECKER. Übergeben Sie den Rasenmäher an eine BLACK + DECKER Vertragswerkstatt, wenn die Unterseite des Decks beschädigt ist.
	Wenn das Messer nicht sichtlich beschädigt ist und der Rasenmäher weiterhin vibriert: <ul style="list-style-type: none"> ◆ Lassen Sie den Bügelgriff los, um den Rasenmäher auszuschalten. ◆ Entfernen Sie den Akku. ◆ Demontieren Sie die gesamte Messerbaugruppe wie im Abschnitt "Entfernen und Installieren des Messers" beschrieben. ◆ Entfernen Sie Schmutz und reinigen Sie jedes Teil. ◆ Ersetzen Sie jedes Teil, wie im Abschnitt "Entfernen und Installieren des Messers" beschrieben.
	Übergeben Sie den Rasenmäher an eine zugelassene BLACK+DECKER Vertragswerkstatt, wenn das Gerät weiterhin vibriert.
Ladestatus-LEDs leuchten nicht.	Steckverbindung prüfen.
	Tauschen Sie das Ladegerät aus.
Geschnittenes Gras wird vom Rasenmäher nicht im Beutel aufgesammelt.	Die Auswurföffnung ist verstopft. Lassen Sie den Bügelgriff los, um den Rasenmäher auszuschalten. Entfernen Sie den Akku. Entfernen Sie abgeschnittenes Gras aus der Auswurföffnung.
	Heben Sie die Schnitthöhe der Räder an, um die abgeschnittene Länge zu verkürzen.
	Der Behälter ist voll. Leeren Sie den Behälter öfter.

Umweltschutz



Getrennte Entsorgung. Produkte und Akkus mit diesem Symbol dürfen nicht mit dem normalen Hausmüll entsorgt werden.

Produkte und Akkus enthalten Materialien, die wiederverwertet werden können, um den Bedarf an Rohstoffen zu verringern. Bitte recyceln Sie elektrische Produkte und Akkus gemäß den örtlichen Bestimmungen. Weitere Informationen finden Sie auf www.2helpU.com

Technische Daten

		BCM3318	BCM3336
Spannung	Vdc	18V	36V
Drehzahl ohne Last	min ⁻¹	3800RPM	3800RPM
Gewicht	kg	15	15
Messerlänge	cm	33	33

Akkus				Ladegeräte (Minuten)					
Kat-Nr.	Vdc	Ah	Gewicht kg	Kat-Nr.	90092287* 400mA	N517388* 1A	BDCA1A 1A	BDCA2A 2A	BDCA36 1,35A
BL1918	18	1,5	0,38	BL1918	225	90	90	45	X
BL1518ST	18	1,5	0,38	BL1518ST	225	90	90	45	X
BL2018	18	2,0	0,59	BL2018	300	120	120	60	X
BL2018ST	18	2,0	0,59	BL2018ST	300	120	120	60	X
BL2518	18	2,5	0,43	BL2518	380	150	150	75	X
BL4018	18	4,0	0,64	BL4018	600	240	240	120	X
BL5018	18	5,0	0,7	BL5018	750	300	300	135	X
BL20362	36	2,0	0,64	BL20362	X	X	X	X	90
BL2536	36	2,5	0,68	BL2536	X	X	X	X	110
BL1554	18/54	1,5	1,09	BL1554	225	90	90	45	X
BL2554	18/54	2,5	1,2	BL2554	380	150	150	75	X

Gewichteter Hand-Arm-Vibrationswert:
= <2,5 m/s², Unsicherheitsfaktor (K) = 1,5m/s².

L_w (Schalldruck) 74,5 dB(A)
Unsicherheitsfaktor (K) = 2,5 dB(A)
L_{WA} (Schallleistung) 86 dB(A)
Unsicherheitsfaktor (K) = 1,5 dB(A)

**EU-Konformitätserklärung
MASCHINENRICHTLINIE
RICHTLINIE ÜBER UMWELTBELASTENDE
GERÄUSCHEMISSIONEN**



BCM3318, BCM3336 Rasenmäher

Black & Decker erklärt, dass die in den technischen Daten beschriebenen Geräte übereinstimmen mit:
2006/42/EC, EN 60335-1:2012 + A11:2014,
EN 60335-2-77:2010

2000/14/EG, Rasenmäher, L < 50 cm, Annex VI,
DEKRA Certification B.V. Meander 1051 / P.O. Box 5185
6825 MJ ARNHEM / 6802 ED ARNHEM, Niederlande
Gemeldet unter ID-Nr.: 0344

Schallpegel gemäß 2000/14/EG (Artikel 12, Anhang III,
L < 50cm):

L_w (gemessene Schalleistung) 86 dB(A)
Unsicherheitsfaktor (K) = 1,5 dB(A)
L_w (garantierte Schalleistung) 96 dB(A)

Diese Produkte entsprechen außerdem den Richtlinien 2014/30/EU, 2011/65/EU. Weitere Informationen erhalten Sie von Black & Decker unter der folgenden Adresse. Diese befindet sich auch auf der Rückseite dieser Anleitung.

Der Unterzeichnete ist verantwortlich für die Zusammenstellung der technischen Daten und gibt diese Erklärung im Namen von Black & Decker ab.

Becky Cotsworth
Director – Outdoor Products Group
Black & Decker Europe, 270 Bath Road, Slough,
Berkshire, SL1 4DX
Vereinigtes Königreich
11/10/2019

Garantie

Black & Decker vertraut auf die Qualität der eigenen Geräte und bietet dem Käufer eine außergewöhnliche Garantie von 24 Monaten ab Kaufdatum. Diese Garantie versteht sich unbeschadet der gesetzlichen Gewährleistungsansprüche und schränkt diese keinesfalls ein. Diese Garantie gilt innerhalb der Staatsgebiete der Mitgliedstaaten der Europäischen Union und der Europäischen Freihandelszone.

Zur Inanspruchnahme dieser Garantie muss sie den allgemeinen Geschäftsbedingungen von Black + Decker entsprechen und dem Verkäufer bzw. der Vertragswerkstatt ist ein Kaufnachweis vorzulegen. Die Bedingungen für die 2-jährige Garantie von Black&Decker und den Standort Ihrer nächstgelegenen Vertragswerkstatt finden Sie im Internet unter www.2helpU.com oder indem Sie sich an die lokale Black&Decker-Niederlassung wenden, deren Adresse Sie in dieser Anleitung finden.

Ihr neues Black & Decker Produkt können Sie auf unserer Website unter www.blackanddecker.de registrieren. Dort erhalten Sie auch Informationen über neue Produkte und Sonderangebote.

Utilisation prévue

Vos tondeuses BLACK+DECKER BCMW3318 et BCMW3336 ont été conçues pour tondre l'herbe. Ces appareils sont destinés à un usage grand public uniquement.

Consignes de sécurité

Avertissement ! De simples précautions sont à prendre pour l'utilisation d'appareils sans fil. Les conseils suivants doivent toujours être appliqués afin de réduire le risque d'incendie, de choc électrique, de blessures et de dommages matériels.

Avertissement ! Les consignes de sécurité doivent être respectées pendant l'utilisation.

Pour votre propre sécurité ainsi que celle des personnes présentes à proximité, lisez ces instructions avant d'utiliser la machine. Veuillez conserver les instructions pour pouvoir vous y référer dans le futur.

- ◆ Lisez attentivement l'intégralité de ce manuel avant d'utiliser l'appareil.
- ◆ Ce manuel décrit la manière d'utiliser ces appareils. L'utilisation d'un accessoire ou d'un équipement ou l'utilisation de cet appareil à d'autres fins que celles recommandées dans ce manuel d'utilisation peut présenter un risque de blessures.
- ◆ Conservez ce manuel pour pouvoir vous y référer dans le futur.

Utiliser votre appareil

Prenez toujours toutes les précautions nécessaires lorsque vous utilisez l'appareil.

- ◆ Cet appareil n'est pas destiné à être utilisé par des personnes jeunes ou infirmes sans surveillance.
- ◆ Cet appareil n'est pas un jouet et il ne doit pas être utilisé comme tel.
- ◆ Ne laissez pas les enfants ou les animaux s'approcher de la zone de travail ni toucher l'appareil ou le cordon électrique.
- ◆ Faites particulièrement attention lorsque vous utilisez l'appareil près d'enfants.
- ◆ N'utilisez l'appareil que dans des endroits secs. Ne laissez pas l'appareil être mouillé. Ne plongez pas l'appareil dans l'eau.
- ◆ N'ouvrez pas le boîtier. Il n'existe aucune pièce réparable par l'utilisateur à l'intérieur.
- ◆ N'utilisez pas l'appareil dans un environnement présentant des risques d'explosion, ni en présence de liquides, gaz ou poussières inflammables.
- ◆ Afin de réduire le risque d'endommagement des prises et des cordons électriques, ne débranchez jamais l'appareil en tirant sur le câble.
- ◆ Avant utilisation, inspectez toujours visuellement l'absence d'usure et de dommage sur les lames, les boulons de la lame et l'ensemble de l'organe de coupe.
Remplacez les lames et boulons usés ou endommagés afin de maintenir un équilibre.

- ◆ Afin d'éviter tout risque dû à la réinitialisation intempestive du fusible thermique, cet appareil ne doit pas être alimenté par un dispositif de mise en marche externe, comme une minuterie par exemple et il ne doit pas être raccordé à un circuit régulièrement alimenté ou coupé par le circuit général.
- ◆ Ne faites jamais fonctionner la machine si des personnes, et particulièrement des enfants, ou des animaux, se trouvent à proximité.
- ◆ Gardez à l'esprit que l'utilisateur est responsable des accidents ou des risques subis par autrui ou leurs biens.

Avant utilisation

- ◆ Portez toujours des chaussures renforcées et des pantalons longs pour utiliser la machine. N'utilisez pas la machine si vous portez des sandales ou si vous êtes pieds nus. Évitez de porter des vêtements amples ou avec des cordons ou des liens.
- ◆ Vérifiez toujours soigneusement la zone où la machine doit être utilisée et retirez tous les objets qui risqueraient d'être projetés par machine.
- ◆ Avant utilisation, inspectez toujours visuellement l'absence d'usure et de dommage sur la lame, le boulon de la lame et l'ensemble de la lame. Remplacez les composants usés ou endommagés par ensemble afin de conserver un bon équilibrage. Remplacez les étiquettes endommagées ou illisibles.

Après l'utilisation

- ◆ Quand il n'est pas utilisé, l'appareil doit être rangé dans un endroit sec, suffisamment aéré et hors de portée des enfants.
- ◆ Les enfants ne doivent pas avoir accès aux appareils rangés.
- ◆ Quand l'appareil est rangé ou transporté dans un véhicule, il doit être installé dans le coffre ou correctement calé pour éviter les mouvements dus aux changements de direction ou de vitesse.

Inspections et réparations

- ◆ Avant utilisation, vérifiez que les pièces de l'appareil sont en bon état. Contrôlez l'absence de pièces cassées, d'interrupteurs endommagés et de toutes autres anomalies susceptibles de nuire au bon fonctionnement de l'appareil.
- ◆ N'utilisez pas l'appareil si une quelconque pièce est endommagée ou défectueuse.
- ◆ Faites réparer ou remplacer les pièces défectueuses ou endommagées par un réparateur agréé.
- ◆ Ne tentez jamais de retirer ou de remplacer des pièces autres que celles citées dans ce manuel.
- ◆ Prenez les précautions nécessaires pendant le réglage de la tondeuse pour ne pas vous coincer les doigts entre les lames/pièces mobiles et les pièces fixes de la machine.

- ◆ Pendant l'entretien des lames gardez à l'esprit que même si la source d'alimentation électrique est coupée, les lames peuvent encore tourner.

Consignes de sécurité supplémentaires propres aux tondeuses

- ◆ Ne transportez pas la machine si elle est alimentée
- ◆ Tenez fermement la poignée à deux mains pour utiliser la tondeuse.
- ◆ Si pour une raison quelconque, la tondeuse doit être inclinée, gardez vos deux mains dans la bonne position sur la poignée pendant que vous la penchez. Gardez vos deux mains en position jusqu'à ce que la tondeuse soit à nouveau correctement posée au sol.
- ◆ Ne portez jamais d'écouteurs ou de casque pour écouter de la musique tout en utilisant la tondeuse.
- ◆ N'essayez jamais de régler la hauteur des roues quand le moteur tourne ou quand la clé de sécurité est enclenchée.
- ◆ Si la tondeuse cale, relâchez la barre de démarrage pour arrêter la tondeuse, attendez que la lame s'arrête avant d'essayer de dégager la conduite d'éjection ou de supprimer tout élément du plateau de coupe.
- ◆ Gardez vos mains et vos pieds à l'écart de la zone de coupe.
- ◆ Gardez les lames bien affûtées. Portez toujours des gants de protection pour manipuler la lame de la tondeuse.
- ◆ Si vous utilisez le récupérateur d'herbe, vérifiez régulièrement son état.
Pour votre propre sécurité, remplacez le récupérateur d'herbe par un neuf s'il est très usé.
- ◆ Soyez extrêmement prudent quand vous retournez la tondeuse ou que vous la tirez vers vous.
- ◆ Ne posez pas les mains ou les pieds à côté ou sous la tondeuse.
Veillez à ce l'ouverture d'éjection reste dégagée.
- ◆ Éliminez de la zone à tondre les cailloux, bâtons, câbles, jouets, os, etc. qui risqueraient d'être projetés par la lame. Les objets coincés dans la lame peuvent provoquer des blessures graves. Restez derrière la tondeuse lorsque le moteur est en marche.
- ◆ Ne faites pas fonctionner la tondeuse pieds nus ou si vous portez des sandales. Portez toujours des chaussures fermées.
- ◆ N'utilisez la tondeuse en marche arrière qu'en cas de nécessité absolue. Regardez toujours au sol et derrière vous lorsque vous tondez en marche arrière.
- ◆ Ne dirigez jamais les éléments éjectés vers quiconque. Évitez d'éjecter l'herbe contre un mur ou un autre obstacle. Un effet de ricochet vers l'utilisateur est possible. Relâchez la barre de démarrage pour arrêter la tondeuse et arrêter la lame quand vous passez sur une surface gravillonnée.

- ◆ N'utilisez jamais la tondeuse sans que le sac de récupération d'herbe, le cache de l'ouverture d'évacuation, le carter arrière et les autres dispositifs de sécurité ne soient en place et en bon état. Vérifiez régulièrement tous les carters de protection et de tous les dispositifs de sécurité pour contrôler qu'ils fonctionnent correctement et qu'il remplissent bien leurs fonctions. Si un carter de protection ou un autre dispositif de sécurité est endommagé, remplacez-le avant de continuer.
 - ◆ Ne laissez jamais une tondeuse tourner sans surveillance.
 - ◆ Relâchez toujours la barre de démarrage pour arrêter le moteur. Attendez que la lame soit complètement arrêtée avant de nettoyer la tondeuse, de retirer le sac de récupération d'herbe, de désobstruer le cache de l'ouverture d'éjection, lorsque vous quittez la tondeuse ou avant toute opération de réglage, de réparation ou d'inspection.
 - ◆ N'utilisez la tondeuse que de jour ou avec un bon éclairage artificiel. Les objets sur le chemin de la lame doivent être parfaitement visibles depuis la zone où la tondeuse est utilisée.
 - ◆ Ne faites pas fonctionner la tondeuse si vous êtes sous l'influence d'alcool ou de drogues ou si vous êtes fatigué ou malade. Restez toujours vigilant, restez concentré et faites preuve de bon sens.
 - ◆ Évitez les environnements dangereux.
- N'utilisez jamais la tondeuse si l'herbe est humide ou sous la pluie. Gardez toujours une bonne posture, marchez, ne courez jamais.
- ◆ Si la tondeuse se met à vibrer de façon anormale, relâchez la barre de démarrage, attendez que la lame s'arrête avant d'immédiatement rechercher d'où vient le problème. Les vibrations sont généralement signes de problèmes, consultez le guide de dépannage pour obtenir des conseils en cas de vibrations anormales.
 - ◆ Portez toujours des protections oculaires et respiratoires adaptées lorsque vous utilisez la tondeuse.
 - ◆ L'utilisation d'accessoires non recommandés pour cette tondeuse peut être dangereuse. N'utilisez que des accessoires homologués par BLACK+DECKER.
 - ◆ Ne vous penchez jamais lorsque vous utilisez la tondeuse. Gardez en permanence une posture stable et équilibrée lorsque vous utilisez la tondeuse.
 - ◆ Tondez perpendiculairement aux pentes, jamais dans le sens de la pente. Prenez toutes les précautions nécessaires quand vous changez de direction en pente.
 - ◆ Faites attention aux trous, ornières, bosses, pierres ou autres objets cachés. Un terrain irrégulier peut provoquer des risques de glissement et de chute. L'herbe haute peut masquer les obstacles.

- ◆ Ne tondez pas si l'herbe est mouillée ou sur des pentes excessivement raides. Une mauvaise posture peut provoquer des risques de glissement et de chute.
- ◆ Ne tondez pas près de ravins, de fossés ou de remblais. Vous pourriez perdre l'équilibre.
- ◆ Laissez toujours la tondeuse refroidir avant de la ranger.

Retirez la prise de la prise murale et retirez le bloc-batterie de la machine.

Assurez-vous que toutes les pièces mobiles sont à l'arrêt :

- ◆ Dès que vous quittez la machine ;
- ◆ Avant de supprimer un bourrage ;
- ◆ Avant de vérifier, nettoyer ou de réparer l'appareil.

Sécurité des personnes

- ◆ Cet appareil n'est pas conçu pour être utilisé par des personnes (y compris des enfants) aux capacités physiques, sensorielles ou intellectuelles réduites ou sans expérience ni connaissances, à moins qu'elles ne soient surveillées ou qu'elles aient été formées sur la façon sûre d'utiliser l'appareil, par une personne responsable de leur sécurité.
- ◆ Surveillez les enfants afin d'éviter qu'ils jouent avec cet appareil.
- ◆ Après avoir heurté un corps étranger. Vérifiez l'absence de dommage sur la machine et faites les réparations nécessaires ;

Risques résiduels.

Certains risques résiduels autres que ceux mentionnés dans les avertissements sur la sécurité peuvent survenir en utilisant l'outil. Ces risques peuvent être provoqués par une utilisation incorrecte, prolongée, etc. Malgré l'application de toutes les réglementations sur la sécurité pertinentes et la mise en œuvre de dispositifs de sécurité, certains risques résiduels ne peuvent pas être évités. Ils comprennent :

- ◆ Les blessures dues au contact avec des pièces rotatives/mobiles.
- ◆ Les blessures due au remplacement de pièces, de lames ou d'accessoires.
- ◆ Les blessures dues à l'utilisation prolongée d'un outil. Lorsque vous utilisez un outil quel qu'il soit pendant de longues périodes, assurez-vous de faire des pauses régulières.
- ◆ Troubles de l'ouïe.
- ◆ Les risques pour la santé provoqués par l'inhalation des poussières générées pendant l'utilisation de votre outil (exemple : travail avec du bois, surtout le chêne, le hêtre et les panneaux en MDF).
- ◆ Si l'utilisation de la tondeuse dans un endroit humide est inévitable, utilisez un disjoncteur différentiel à courant résiduel (DDR) calibré à 30 mA maximum.

L'utilisation d'un DDR réduit le risque de décharge électrique.

- ◆ Ne soulevez et ne transportez jamais l'appareil si le moteur est en marche.

Symboles d'avertissement

Les symboles d'avertissement qui suivent figurent sur l'appareil avec le code date :



Avertissement ! Lisez le manuel avant utilisation.



N'exposez l'appareil ni à pluie ni à l'humidité.



Faites attention aux lames tranchantes. Les lames continuent de tourner juste après l'extinction du moteur.

Retirez les dispositifs de désactivation avant de procéder à l'entretien ou si le cordon est endommagé.



Faites attention aux projections d'objets. Éloignez toutes les personnes à proximité de la zone de tonte.



Portez une protection oculaire



Les lames continuent à tourner après l'arrêt de la machine.



Puissance sonore garantie conforme à la Directive 2000/14/CE.

Consignes de sécurité supplémentaires propres aux batteries et aux chargeurs

Batteries

- ◆ Ne tentez de les ouvrir sous aucun prétexte.
- ◆ Ne mettez pas la batterie en contact avec l'eau.
- ◆ N'exposez pas la batterie à la chaleur.
- ◆ Ne les stockez pas dans des endroits où la température peut dépasser 40 °C.
- ◆ Ne les rechargez qu'à une température ambiante comprise entre 10 °C et 40 °C.
- ◆ Ne procédez à la charge qu'avec le chargeur fourni avec l'appareil/outil. L'utilisation d'un chargeur inadapté peut conduire à une décharge électrique ou à la surchauffe de la batterie.
- ◆ Au moment de jeter les batteries, respectez les instructions mentionnées à la section "Protection de l'environnement".
- ◆ Ne déformez/n'endommagez pas le bloc-batterie en le perçant ou en le cognant car cela pourrait entraîner des blessures et un incendie.
- ◆ Ne rechargez pas des batteries endommagées.
- ◆ Dans des conditions extrêmes, la batterie peut fuir. Si vous détectez une fuite, utilisez un chiffon pour essuyer le liquide avec précaution. Évitez tout contact avec la peau.
- ◆ En cas de contact avec la peau ou les yeux, respectez les consignes mentionné ci-dessous.

Avertissement ! Le liquide de la batterie peut provoquer des blessures ou des dégâts matériels. En cas de contact avec la peau, rincez immédiatement à l'eau.

Si des rougeurs, une douleur ou une irritation se produisent, consultez un médecin. En cas de contact avec les yeux, rincez immédiatement à l'eau et consultez un médecin.



N'essayez pas de recharger des batteries endommagées

Chargeur

Votre chargeur a été conçu pour une tension spécifique.

Vérifiez toujours que la tension du réseau électrique correspond à la tension figurant sur la plaque signalétique.

Avertissement ! N'essayez jamais de remplacer le module de charge par une prise de courant ordinaire.

- ◆ N'utilisez votre chargeur Black & Decker que pour recharger la batterie fournie avec l'appareil/outil. D'autres batteries pourraient exploser et provoquer des blessures et des dommages.
- ◆ Ne tentez jamais de recharger des piles non rechargeables.
- ◆ Si le câble d'alimentation est endommagé, il doit être remplacé par le fabricant ou par un centre d'assistance agréé Black & Decker afin d'éviter tout risque.
- ◆ N'exposez pas le chargeur à l'eau.
- ◆ N'ouvrez pas le chargeur.
- ◆ Ne sondez pas le chargeur.

- ◆ Pendant la charge, placez l'appareil/l'outil/la batterie dans un endroit correctement aéré.



Le chargeur est conçu pour être exclusivement utilisé à l'intérieur.



Lisez le manuel d'utilisation avant de l'utiliser.

Sécurité électrique

Votre chargeur dispose d'une double isolation, aucune liaison à la terre n'est donc nécessaire.

Vérifiez toujours que la tension du réseau électrique correspond à la tension figurant sur la plaque signalétique.

N'essayez jamais de remplacer le chargeur par

par une prise de courant ordinaire.

- ◆ Si le câble d'alimentation est endommagé, il doit être remplacé par le fabricant ou par un centre d'assistance agréé Black & Decker afin d'éviter tout risque.

Caractéristiques

Cet appareil présente tout ou partie des caractéristiques suivantes.

1. Boîtier de commutation
2. Poignée de démarrage
3. Poignée supérieure
4. Poignée inférieure
5. Boutons de fixation de la poignée supérieure (2)
6. Trou de fixation de la poignée inférieure (2)
7. Levier de réglage de la hauteur de coupe
8. Sac de récupération d'herbe
9. Cache de l'ouverture arrière
10. Poignées de transport

Procédure de charge

Les chargeurs BLACK+DECKER sont conçus pour recharger les blocs-batteries BLACK+DECKER.

- ◆ Branchez le chargeur dans une prise adaptée avant d'insérer le bloc-batterie.
- ◆ Insérez le bloc-batterie dans le réceptacle. Insérez le bloc-batterie dans le chargeur.



Le voyant vert clignote pour indiquer que la batterie est en charge



La fin de la charge est indiquée par le voyant vert restant fixe en continu. Le bloc est alors complètement rechargé et il peut soit être utilisé, soit être laissé dans le chargeur

Avvertissement ! Rechargez les batteries déchargées dès que possible après utilisation pour ne pas grandement diminuer leur durée de vie.

Diagnostique du chargeur

Ce chargeur est conçu pour détecter certains problèmes qui peuvent survenir avec les blocs-batteries ou les sources d'alimentation. Les problèmes sont signalés par un voyant clignotant de différentes manières.

Batterie défectueuse



Le chargeur peut détecter une batterie faible ou endommagée.

Le voyant rouge clignote de la façon indiquée sur l'étiquette. Arrêtez la charge de la batterie si vous voyez ce motif de clignotement indiquant que la batterie est défectueuse.

Renvoyez-la dans un centre d'assistance ou un site de collecte pour recyclage

Délai Bloc Chaud/Froid



Lorsque le chargeur détecte que la batterie est trop chaude ou trop froide,

il démarre automatiquement un délai Bloc Chaud/Froid, suspendant la charge jusqu'à ce que la batterie se stabilise. Après cela, le chargeur passe automatiquement en mode Charge Bloc. Cette fonctionnalité assure la durée de vie maximale de la batterie. Le voyant rouge clignote de la façon indiquée sur l'étiquette lorsque le délai Bloc Chaud/Froid est détecté

Remarques importantes liées à la charge

- ◆ Une durée de vie plus longue et de meilleures performances peuvent être obtenues si le bloc-batterie est rechargé lorsque la température de l'air est comprise entre 60°F and 80°F (16° - 27°C).
- ◆ NE rechargez PAS le bloc-batterie à une température ambiante inférieure à +40°F (+4,5°C) ou supérieure à +105°F (+40,5°C). Cette consigne est importante et elle permet d'éviter le grave endommagement du bloc-batterie.
- ◆ Le chargeur et le bloc-batterie peuvent devenir chauds au toucher pendant la charge. Ceci est normal et n'indique pas un problème.

Afin de faciliter le refroidissement du bloc-batterie après utilisation, évitez de placer le chargeur ou le bloc-batterie dans un environnement chaud comme une remise métallique ou une remorque non isolée.

- ◆ Si le bloc-batterie ne se recharge pas correctement :
 - ◆ Vérifiez la présence de courant en branchant une lampe ou un autre appareil dans la prise murale
 - ◆ Vérifiez que la prise murale n'est pas reliée à un interrupteur coupant l'alimentation lorsqu'on éteint l'éclairage.
 - ◆ Déplacez le chargeur et le bloc-batterie dans un endroit où la température ambiante est comprise entre 60°F - 80°F (16° - 27°C).
 - ◆ Si les problèmes de charge persistent, apportez l'outil, le bloc-batterie et le chargeur à votre centre d'assistance local.
- ◆ Le bloc-batterie doit être rechargé lorsqu'il ne parvient plus à fournir la puissance nécessaire aux opérations qui étaient facilement réalisées auparavant. Cessez D'UTILISER l'outil dans ces conditions. Respectez la procédure de charge. Vous pouvez également charger un bloc déjà utilisé si vous le souhaitez, sans que cela n'affecte le bloc-batterie.
- ◆ Les corps étrangers de nature conductrice tels que, notamment, la laine d'acier, le papier aluminium ou toute accumulation de particules métalliques, doivent être tenus éloignés des cavités du chargeur. Débranchez toujours le chargeur de l'alimentation électrique lorsque qu'aucun bloc-batterie n'y est installé. Débranchez le chargeur avant de le nettoyer.
- ◆ Ne congelez pas le chargeur et ne l'immergez pas dans l'eau ou dans tout autre liquide.

Avvertissement ! Ne laissez aucun liquide pénétrer dans le chargeur.

NE TENTEZ JAMAIS SOUS AUCUN PRÉTEXTE D'OUVRIRE LE BLOC-BATTERIE. SI LE CORPS EN PLASTIQUE DU BLOC-BATTERIE SE CASSE OU SE FISSURE, RETOURNEZ-LE À UN CENTRE D'ASSISTANCE POUR QU'IL Y SOIT RECYCLÉ.

Voyant de niveau de charge de la batterie

La batterie est équipée d'un voyant de niveau de charge. Il permet d'afficher le niveau de charge actuel de la batterie pendant qu'elle est dans la tondeuse et pendant la charge. Il n'indique pas la fonctionnalité de l'outil et peut être sujet à des variations en fonction des composants du produit, de la température et de l'intervention réalisée par l'utilisateur final.

Vérifier le niveau de charge :

- ◆ Appuyez sur le bouton de niveau de charge (12a).
- ◆ Les trois voyants (12b) s'allument pour indiquer le pourcentage de charge de la batterie. Voir le tableau de la figure B.

- ◆ Si les voyants ne s'allument pas, rechargez la batterie.

Pour installer le bloc-batterie (Fig. C, C1)

- ◆ Soulevez Le cache du compartiment de la batterie (14) pour accéder au connecteur de la batterie.
- ◆ Glissez la batterie (12) dans le compartiment jusqu'à ce qu'elle soit bien en place et que vous entendiez le clic (figure C).
Assurez-vous que le bloc-batterie est bien en place et correctement verrouillé. L'appareil BCMW3318 disposent de deux connecteurs pour la batterie comme illustré par la Figure C1.
- ◆ Fermez le cache du compartiment de la batterie. Assurez-vous que le cache est bien verrouillé avant de démarrer la tondeuse.

Pour retirer les blocs-batteries :

- ◆ Ouvrez le cache du compartiment de la batterie (14), comme décrit ci-dessus.
- ◆ Enfoncez le bouton de libération de la batterie sur le bloc-batterie et tirez ce dernier hors de l'outil.

Assemblage

Avertissement ! Avant l'assemblage, assurez-vous que la poignée de démarrage est relâchée.

Installer la poignée inférieure

- ◆ Enfoncez le bouton (4a) sur le trou de fixation de la poignée inférieure (6) et insérez la poignée inférieure (4). Réglez la hauteur en fonction de vos besoins.

Remarque ! Veillez à ce chaque côté de la poignée inférieure soit réglé à la même hauteur.

Installer la poignée supérieure (Fig. H)

La poignée supérieure dispose de deux trous de montage pour régler la longueur de la poignée par rapport au plateau de coupe.

Le premier jeu de trous au bas du tube de la poignée supérieure permet le réglage le plus long. L'utilisation de la position la plus haute raccourcit la longueur de la poignée

- ◆ Retirez les boutons de fixation de la poignée supérieure (5) et le boulon (5a) de la poignée supérieure.
- ◆ Alignez les trous au bas de la poignée supérieure (3) avec les trous en haut de la poignée inférieure (4).
- ◆ Par l'extérieur de la poignée supérieure (3), glissez le boulon dans les trous.
- ◆ Tournez la poignée supérieure dans sa position de fonctionnement.
- ◆ Serrez les boutons de fixation de la poignée supérieure (5).

Fixer le câble du moteur (Fig. I)

Avertissement : Fixez le câble pour qu'il ne soit pas tiré ou pincé dans les articulations des poignées pendant l'utilisation ou le pliage. Cela pourrait sinon endommager le cordon. Le câble du moteur doit être fixé aux poignées à l'aide des serre-câbles déjà fixés sur la poignée.

Pour fixer le câble sur la poignée :

- ◆ Placez les poignées en position de service, voir la section "Fixer la poignée inférieure".
- ◆ Faites courir le câble vers le haut à l'avant des poignées inférieure et supérieure.
- ◆ Tirez le serre-câble vers l'arrière.
- ◆ Glissez le câble du moteur sous le clip et assurez-vous qu'il est parfaitement maintenu par le serre-câble.

Mulchage

Avertissement ! Retirez la clé et le bloc-batterie avant de retirer

l'accessoire d'éjection latéral et le sac de récupération d'herbe et pour installer l'insert pour le mulchage.

- ◆ Veillez à ce que l'accessoire d'éjection latérale et le sac de récupération ne soient pas fixés.
- ◆ Soulevez le cache de l'ouverture arrière (9) et glissez complètement l'insert pour le mulchage dans la tondeuse
- ◆ Assurez-vous que le cache de l'ouverture arrière est parfaitement refermé avant de démarrer la tondeuse.

Fonctionnement

Lisez ce manuel d'utilisation avant d'utiliser votre tondeuse. Consultez la section "Caractéristiques" pour vous familiariser avec l'emplacement des commandes et des dispositifs de réglage. Conservez ce manuel afin de pouvoir vous y référer dans le futur.

Avertissement ! Laissez la tondeuse fonctionner à son propre rythme. Ne le poussez pas au-delà de sa capacité.

Avertissement ! Lames aiguisées en mouvement. Ne faites pas fonctionner la tondeuse en mode Éjection latérale ou Mulchage si le cache arrière n'est pas correctement fermé par la tension du ressort. De graves blessures pourraient sinon en résulter. Déposez votre tondeuse dans le centre de réparation le plus proche.

Régler la hauteur de tonte

La hauteur de tonte est réglée grâce au levier de réglage de la hauteur.

Remarque : Si vous n'êtes pas sûr de la hauteur à choisir, commencez à tondre avec le levier de réglage de la hauteur (7) sur la position de droite.

Réglez la hauteur plus basse au besoin.

Installer le sac de récupération d'herbe (Fig. F, G)

- ◆ Soulevez le cache arrière (9) comme illustré par la figure (F).

- ◆ Positionnez le sac de récupération d'herbe (8) sur la tondeuse de façon que les crochets du sac (8a) reposent sur les ergots (8b), comme illustré sur la figure (G). Abaissez ensuite le cache arrière.

Démarrer la tondeuse (Fig. H)

Avertissement ! Lames aiguisées en mouvement. Ne tentez jamais de shunter le fonctionnement du boîtier de commutation. De graves blessures pourraient sinon en résulter.

Remarque : La tondeuse est opérationnelle lorsque la batterie et la clé de sécurité sont en place.

- ◆ Votre tondeuse est équipée d'un boîtier de commutation Marche/Arrêt spécial. Pour faire fonctionner la tondeuse, enfoncez le bouton (1a) sur le boîtier de commutation (1), puis tirez la poignée de démarrage (2) vers le guidon, comme illustré par la figure H. Vous pouvez relâcher le bouton une fois la tondeuse démarrée.
- ◆ Pour éteindre la tondeuse, vous n'avez qu'à relâcher la poignée de démarrage.

Avertissement ! N'essayez jamais de bloquer l'interrupteur ou la poignée de démarrage (2) en position Marche.

Remarque : Quand la poignée de démarrage retourne à sa position d'origine, elle active le "mécanisme de freinage automatique". Le moteur est électriquement freiné et la lame de la tondeuse s'arrête de tourner en 3 secondes ou moins.

Sollicitation excessive de la tondeuse

Afin d'éviter l'endommagement dû à une sollicitation excessive de la tondeuse, ne tentez pas de tondre trop d'herbe à la fois. Ralentissez la cadence de tonte ou augmentez la hauteur de coupe.

Rangement

Avertissement ! La lame en mouvement peut provoquer de graves blessures.

Relâchez la poignée de démarrage (2) pour arrêter la tondeuse, retirez la batterie avant de soulever, de transporter ou de ranger la tondeuse. Rangez la tondeuse dans un endroit sec.

Avertissement ! Afin de ne pas vous pincer, gardez vos doigts à l'écart de la zone entre les poignées pour les replier.

Avertissement ! Veillez à ce que le câble ne soit pas tiré ou pincé dans les articulations des poignées quand vous repliez la tondeuse. Cela pourrait sinon endommager le cordon. La poignée de la tondeuse peut être facilement se replier pour faciliter le rangement.

Transporter la tondeuse

- ◆ Il est possible de transporter la tondeuse grâce à ses pratiques poignées de transport (10). **NE TENTEZ PAS** de soulever la tondeuse en saisissant la poignée supérieure (3) ou la poignée inférieure (4).

Conseils concernant la tonte

Avertissement ! Vérifiez toujours la zone à tondre et éliminez les cailloux, bâtons, câbles, os et autres débris qui risqueraient d'être éjectés par la lame en mouvement.

Avertissement ! Ne tondez jamais face à une pente, jamais de haut en bas. Prenez toutes les précautions nécessaires quand vous changez de direction en pente. Ne tondez pas sur des pentes trop raides. Assurez-vous de toujours garder une bonne posture.

- ◆ Relâchez la poignée de démarrage pour arrêter la tondeuse quand vous traversez une surface gravillonnée (des cailloux peuvent être projetés par la lame).
- ◆ Réglez la tondeuse à la plus haute hauteur de coupe quand la surface est accidentée ou que l'herbe est haute. La tonte d'une trop grande quantité d'herbe à la fois peut provoquer la surcharge du moteur et entraîner l'arrêt de la tondeuse. Consultez le guide de dépannage.
- ◆ Si le sac de récupération d'herbe (8) est utilisé pendant la saison de pousse rapide de l'herbe, l'herbe peut avoir tendance à s'accumuler au niveau de l'ouverture d'éjection. Relâchez la poignée de démarrage pour arrêter la tondeuse et retirez la clé de sécurité. Retirez le sac de récupération d'herbe et faites tomber l'herbe en secouant le fond du sac. Nettoyez également l'herbe ou les débris accumulés autour de l'ouverture d'évacuation. Remplacez le sac de récupération d'herbe.
- ◆ Si la tondeuse se met à vibrer de façon anormale, relâchez la poignée de démarrage pour l'arrêter et retirez la clé de sécurité. Vérifiez immédiatement la cause de ces vibrations. Les vibrations servent généralement d'avertissement. Ne réutilisez pas la tondeuse avant qu'elle ait été révisée. Consultez le guide de dépannage du manuel.
- ◆ Relâchez toujours la poignée de démarrage pour arrêter la tondeuse et retirez la clé de sécurité si vous devez laisser la tondeuse sans surveillance même pour un court instant.

Conseils pour optimiser les performances

- ◆ Ralentissez dans les zones où l'herbe est très longue ou épaisse.
- ◆ Évitez de tondre si l'herbe est mouillée par la pluie ou la rosée.
- ◆ Tondez régulièrement votre pelouse, en particulier pendant les périodes de croissance rapide.

Remarque : Il est recommandé de recharger votre tondeuse après chaque utilisation pour prolonger la durée de vie de la batterie.

La recharge fréquente n'endommage pas votre batterie et vous permet d'être sûr que la batterie est complètement rechargée et prête pour la prochaine utilisation. Le fait de ranger la batterie alors qu'elle n'est pas complètement pleine raccourcit sa durée de vie.

Retirer et installer la lame

Avertissement ! Lorsque vous réassemblez le système de lame, assurez-vous que chaque pièce a été correctement remontée, comme décrit ci-dessous.

Le mauvais assemblage de la lame et des autres pièces du système peut provoquer de graves blessures.

Avertissement ! Relâchez la poignée de démarrage pour arrêter la tondeuse, attendez que la lame soit arrêtée et débranchez la tondeuse.

- ◆ Découpez un morceau de bois de 2 x 4 (14) (d'environ 610 mm) pour empêcher la lame de tourner pendant le retrait du boulon (13).
- ◆ Portez toujours des gants et des lunettes de protection.
- ◆ Tournez la tondeuse sur le côté. Faites attention aux tranchants de la lame. Installez le morceau de bois et dévissez le boulon à l'aide d'une clé 13 mm (36), comme illustré par la figure I.
- ◆ Notez l'emplacement et le sens de chaque pièce au moment de leur démontage. Retirez le boulon (15) et la rondelle (16). Retirez la lame (17) comme illustré par la figure J. Contrôlez l'absence de dommage sur toutes les pièces et remplacez-les le cas échéant.
- ◆ La ne peut être fixée sur le ventilateur (20) que dans un seul sens. Pour effectuer le réassemblage, alignez le trou en forme de D sur la lame avec la tige en forme de D sur le ventilateur en vous assurant que les écritures sur la lame pointent vers l'extérieur de la tondeuse.
- ◆ Pour pouvoir fixer l'ensemble, installez le morceau de bois comme illustré par la figure K pour empêcher la lame de tourner. Glissez le boulon par la rondelle et serrez-le dans le sens des aiguilles d'une montre à l'aide d'une clé de 13 mm (13), comme illustré par la figure K.

Affûter la lame

Pour des performances optimales, maintenez la lame bien affûtée. Une lame émoussée ne peut pas couper l'herbe de façon nette. Utilisez une protection oculaire adaptée pour retirer, affûter et installer la lame. Assurez-vous d'avoir retiré la clé de sécurité et le bloc-batterie.

L'affûtage de la lame deux fois pendant la saison de tonte suffit généralement si les conditions sont normales.

Le sable use rapidement la lame. Si le sol est sablonneux, un affûtage plus fréquent est nécessaire.

Remarque : Remplacez immédiatement la lame si elle est tordue ou endommagée.

Lorsque vous affûtez la lame :

- ◆ Assurez-vous que la lame reste bien équilibrée.
- ◆ Affûtez la lame en respectant son angle de coupe d'origine.
- ◆ Affûtez les tranchants des deux côtés de la lame, en retirant la même quantité de matière des deux côtés.

Pour affûter la lame dans un étai (Fig. L)

- ◆ Assurez-vous que la poignée de démarrage est relâchée, que la lame est arrêtée et que la tondeuse est débranchée avant de retirer la lame.
- ◆ Retirez la lame de la tondeuse. Consultez les instructions pour le retrait et l'installation de la lame.
- ◆ Fixez la lame (17) dans un étai.
- ◆ Portez une protection oculaire adaptée et des gants et faites attention à ne pas vous couper.
Limez soigneusement les tranchants de la lame avec une lime à dents fines ou une pierre à aiguiser, en gardant l'angle de coupe d'origine.
Contrôlez l'équilibrage de la lame. Consultez les instructions pour l'équilibrage de la lame.
- ◆ Réinstallez la lame sur la tondeuse et fixez-la fermement.

Équilibrage de la lame

Vérifiez l'équilibre de la lame (17) en plaçant le trou central de la lame sur un clou ou un tournevis rond serré horizontalement dans un étai. Si l'une des extrémités de la lame tourne vers le bas, limez le long du bord tranchant de cette extrémité tombante. La lame est correctement équilibrée si aucun côté ne tombe.

Lubrification

Aucune lubrification n'est nécessaire. Ne graissez pas les roues. Les surfaces de roulement sont en plastique, il n'est donc pas nécessaire de les graisser.

Nettoyage

Relâchez la poignée de démarrage (2) pour arrêter la tondeuse, laissez la lame s'arrêter. N'utilisez que du savon doux et un chiffon humide pour nettoyer la tondeuse. Supprimez les résidus qui pourraient s'être accumulés sous le plateau de coupe. Après plusieurs utilisations, vérifiez que toutes les fixations apparentes sont bien serrées.

Éviter la rouille

Les engrais et autres produits chimiques pour jardin contiennent des éléments qui accélèrent grandement la corrosion des métaux. Si vous tondez dans des zones où des engrais ou des produits chimiques ont été utilisés, la tondeuse doit immédiatement être nettoyée comme suit après utilisation : Relâchez la poignée de démarrage (2) pour arrêter la tondeuse et débranchez la tondeuse. Essuyez toutes les pièces apparentes avec un chiffon humide.

Maintenance

Notre appareil/outil sans fil/avec fil BLACK+DECKER a été conçu pour fonctionner longtemps avec un minimum d'entretien. Le fonctionnement continu et satisfaisant de l'appareil/outil dépend de son bon entretien et de son nettoyage régulier.

Avertissement ! Avant toute opération de maintenance sur des outils électriques avec ou sans fil :

- ◆ Éteignez l'appareil/outil, puis débranchez-le.
- ◆ Ou déchargez complètement la batterie si elle est intégrée, puis éteignez l'appareil.
- ◆ Débranchez le chargeur avant de le nettoyer. Votre chargeur ne nécessite aucun entretien particulier, à l'exception d'un nettoyage régulier.
- ◆ Nettoyez régulièrement les orifices d'aération de votre appareil/outil et du chargeur à l'aide d'une brosse souple ou d'un chiffon sec.
- ◆ Nettoyez régulièrement le bloc-moteur à l'aide d'un chiffon humide. N'utilisez pas de détergents abrasifs ou à base de solvants.
- ◆ Utilisez régulièrement un racloir souple pour retirer l'herbe et les saletés sous le carter de protection.

Dépannage

Si votre appareil semble ne pas fonctionner correctement, suivez les instructions ci-dessous.

Si le problème persiste, veuillez contacter votre réparateur local BLACK+DECKER.

Avertissement ! Avant de commencer, relâchez la barre de déclenchement pour arrêter la tondeuse et attendez que la lame soit complètement arrêtée.

Problème	Solution possible
La tondeuse ne démarre pas quand la poignée de démarrage est activée.	Assurez-vous que la tondeuse est correctement branchée et que le bouton sur le boîtier de commutation est complètement enfoncé avant de lever la poignée de démarrage.
	Relâchez la poignée de démarrage pour arrêter la tondeuse. Retirez le bloc-batterie, retournez la tondeuse et vérifiez que la lame peut tourner sans entrave.
	Vérifiez qu'il n'y a aucun débris dans les cavités de la batterie et que cette dernière est correctement branchée.
Le moteur s'arrête pendant la tonte.	La batterie est-elle complètement rechargée ? Appuyez sur le bouton de niveau de charge.
	Relâchez la poignée de démarrage pour arrêter la tondeuse. Retirez le bloc-batterie, retournez la tondeuse et vérifiez que la lame peut tourner sans entrave.
	Rehaussez la hauteur de coupe des roues à la position la plus haute et démarrez la tondeuse.
	Vérifiez qu'il n'y a aucun débris dans les cavités de la batterie et que cette dernière est correctement branchée
La tondeuse se met en marche mais les performances de tonte ne sont pas satisfaisantes,	La batterie est-elle complètement rechargée ? Appuyez sur le bouton de niveau de charge
	Évitez de sursolliciter la tondeuse. Ralentissez la cadence de tonte ou augmentez la hauteur de coupe.
	Relâchez la poignée de démarrage pour arrêter la tondeuse. Débranchez la tondeuse. Retournez la tondeuse et vérifiez : <ul style="list-style-type: none"> ◆ L'affûtage de la lame - gardez la lame toujours bien affûtée. ◆ L'absence de bourrage dans la descente d'éjection et le plateau de coupe.
	Il se peut que le réglage de la hauteur des roues soit trop bas pour l'état de l'herbe. Augmentez la hauteur de coupe.

Problème	Solution possible
La tondeuse est difficile à pousser.	Relâchez la poignée de démarrage pour arrêter la tondeuse. Débranchez la tondeuse. Augmentez la hauteur de coupe pour réduire le frottement de la plaque de tonte sur l'herbe. Vérifiez la rotation libre de chaque roue
La tondeuse est trop bruyante et vibre.	Relâchez la poignée de démarrage pour arrêter la tondeuse. Retirez le bloc-batterie. Penchez la tondeuse sur le côté et vérifiez la lame pour vous assurer qu'elle n'est pas endommagée ou tordue. Si la lame est endommagée, remplacez-la par une lame de rechange BLACK+DECKER. Si le dessous de la plaque de tonte est endommagé, confiez la tondeuse à un centre de réparation agréé BLACK+DECKER.
	S'il n'y a pas de dommage visible sur la lame et que la tondeuse vibre toujours : <ul style="list-style-type: none"> ◆ Relâchez la poignée de démarrage pour arrêter la tondeuse. ◆ Retirez le bloc-batterie. ◆ Démontez l'ensemble de la lame comme décrit dans la section "Retirer et installer la lame". ◆ Retirez tous les résidus et nettoyez chaque pièce. ◆ Remontez chaque pièce comme décrit dans la section "Retirer et installer la lame".
	Si la tondeuse vibre toujours, confiez-la à un centre de réparation agréé BLACK+DECKER.
Le voyant du chargeur de batterie ne s'allume pas.	Vérifiez qu'il est correctement branché. Remplacez le chargeur.
La tondeuse ne récupère pas les résidus de tonte dans le sac.	La descente est bouchée. Relâchez la poignée de démarrage pour arrêter la tondeuse. Retirez le bloc-batterie. Éliminez l'herbe accumulée dans la descente d'évacuation.
	Augmentez la hauteur de coupe des roues afin de diminuer la longueur des résidus.
	Le sac est plein. Videz le sac plus fréquemment.

Protection de l'environnement



Tri sélectif. Les produits et piles/batteries marqués de ce symbole ne doivent pas être jetés avec les déchets ménagers.

Les produits et batteries contiennent des matières qui peuvent être récupérées et recyclées afin de réduire la demande en matières premières. Veillez à recycler les produits électriques et les batteries/piles conformément aux prescriptions locales en vigueur. Pour plus d'informations, consultez le site www.2helpU.com

Caractéristiques techniques

		BCM3318	BCM3336
Tension	Vcc	18V	36V
Régime à vide	min ⁻¹	3800RPM	3800RPM
Poids	kg	15	15
Longueur du lame	cm	33	33

Batteries				Chargeurs (minutes)					
N° de catégorie	Vcc	Ah	Poids en Kg	N° de catégorie	9099287*	N517388*	BDC1A	BDC2A	BDC2A36
				Ampères	400mA	1A	1A	2 A	1,35A
BL1518	18	1,5	0,38	BL1518	225	90	90	45	X
BL1518ST	18	1,5	0,38	BL1518ST	225	90	90	45	X
BL2018	18	2,0	0,39	BL2018	300	120	120	60	X
BL2018ST	18	2,0	0,39	BL2018ST	300	120	120	60	X
BL2518	18	2,5	0,43	BL2518	380	150	150	75	X
BL4018	18	4,0	0,64	BL4018	600	240	240	120	X
BL5018	18	5,0	0,7	BL5018	750	300	300	135	X
BL20362	36	2,0	0,64	BL20362	X	X	X	X	90
BL2536	36	2,5	0,68	BL2536	X	X	X	X	110
BL1554	18/54	1,5	1,08	BL1554	225	90	90	45	X
BL2554	18/54	2,5	1,2	BL2554	380	150	150	75	X

Valeur de vibration pondérée au niveau de la main/du bras :
 $= <2,5 \text{ m/s}^2$, incertitude (K) = $1,5 \text{ m/s}^2$.

L_{w} (pression acoustique) 74,5 dB(A)
 incertitude (K) = 2,5 dB(A)

L_{WA} (pression sonore) 86 dB(A)
 incertitude (K) = 1,5 dB(A)

Déclaration de conformité CE DIRECTIVES MACHINES DIRECTIVE RELATIVE AUX NUISANCES SONORES EXTÉRIEURES



BCMW3318, BCMW3336 Tondeuse

Black & Decker déclare que les produits décrits dans les
 "Caractéristiques techniques" sont conformes aux normes :
 2006/42/EC, EN 60335-1:2012 + A11:2014,
 EN 60335-2-77:2010

2000/14/CE, Tondeuse à gazon, L < 50 cm, Annexe VI,
 DEKRA Certification B.V. Meander 1051 / P.O. Box 5185
 6825 MJ ARNHEM / 6802 ED ARNHEM, Pays Bas
 N° d'identification de l'organisme mandaté : 0344

Niveau de puissance sonore selon la norme 2000/14/CE
 (Article 12, Annexe III, L ≤ 50cm) :

L_{w} (puissance sonore mesurée) 86 dB(A)
 incertitude (K) = 1,5 dB(A)

L_{w} (puissance sonore garantie) 96 dB(A)

Ces produits sont également conformes aux Directives
 2014/30/UE et 2011/65/UE. Pour plus de détails, veuillez
 contacter Black & Decker à l'adresse suivante ou consultez la
 dernière page du manuel.

Le soussigné est responsable de la compilation des données
 de la fiche technique et fait cette déclaration au nom de Black
 & Decker.

Becky Cotsworth
 Directeur - Groupe Produits pour l'extérieur
 Black & Decker Europe, 270 Bath Road, Slough,
 Berkshire, SL1 4DX
 Royaume-Uni
 11/10/2019

Garantie

Black & Decker est sûr de la qualité de ses produits et
 offre une garantie de 24 mois aux utilisateurs, à partir de la
 date d'achat. Cette garantie s'ajoute à vos droits légaux
 auxquels elle ne porte aucunement préjudice. Cette garantie
 est valable au sein des territoires des États membres de
 l'Union Européenne et au sein de la Zone européenne de
 libre-échange.

Pour prétendre à la garantie, la réclamation doit être conforme
 aux conditions générales de Black & Decker et vous devez
 fournir une preuve d'achat au vendeur ou au réparateur
 agréé. Les conditions générales de la garantie de 2 ans
 Black&Decker ainsi que l'adresse du réparateur agréé le
 plus proche sont disponibles sur le site Internet www.2helpU.com
 ou en contactant votre agence Black & Decker locale à
 l'adresse indiquée dans ce manuel.

Veuillez consulter notre site Internet www.blackanddecker.co.uk
 pour enregistrer votre nouveau produit Black & Decker
 et pour être tenu informé des nouveaux produits et offres
 spéciales.

Uso previsto

I rasaerba BCMW3318 e BCMW3336 BLACK+DECKER sono stati progettati per tagliare l'erba. Questi elettroutensili sono concepiti esclusivamente per uso domestico.

Istruzioni di sicurezza

Avvertenza! Quando si usano elettroutensili senza filo, osservare sempre le normali precauzioni di sicurezza per ridurre il rischio di incendio, scosse elettriche, lesioni personali e danni materiali.

Avvertenza! Quando si usa l'elettroutensile osservare le norme di sicurezza.

Prima di usare l'elettroutensile leggere le presenti istruzioni per proteggere la propria incolumità e quella delle altre persone presenti. Conservare le istruzioni in un luogo sicuro per futura consultazione.

- ◆ Leggere attentamente il presente manuale prima di usare l'elettrodomestico.
- ◆ L'uso previsto è descritto in questo manuale. Se questo elettroutensile viene utilizzato con accessori o per impieghi diversi da quelli raccomandati in questo manuale, si potrebbero verificare lesioni a persone.
- ◆ Conservare questo manuale per successiva consultazione.

Impiego dell'elettroutensile

Prestare sempre attenzione quando si usa l'attrezzo.

- ◆ L'utilizzo di questo elettroutensile non è destinato a ragazzi o persone inferme senza supervisione.

- ◆ Questo elettroutensile non deve essere usato come un giocattolo.
- ◆ Vietare a bambini o ad animali di avvicinarsi all'area di lavoro o di toccare l'elettroutensile o il filo di alimentazione.
- ◆ Prestare la massima attenzione quando si usa l'elettroutensile vicino ai bambini.
- ◆ Usare esclusivamente in un luogo asciutto. Evitare che l'elettroutensile si bagni. Non immergere l'apparecchio in acqua.
- ◆ Non aprire il corpo dell'elettroutensile. Al suo interno non sono presenti parti riparabili dall'utilizzatore.
- ◆ Evitare di impiegare questo apparecchio in ambienti esposti al rischio di esplosione, ad esempio in presenza di liquidi, gas o polveri infiammabili.
- ◆ Per ridurre il rischio di danni a spine e cavi elettrici, non tirare mai il cavo per scollegare la spina da una presa.
- ◆ Prima dell'impiego, controllare a vista che la lama, il dado di fissaggio della lama e il gruppo di taglio non siano usurati o danneggiati. Sostituire le lame e i bulloni usurati o danneggiati in serie per mantenere il bilanciamento del rasaerba.
- ◆ Per evitare i rischi associati al resettaggio accidentale dell'interruttore termico di protezione, questo elettroutensile non deve essere alimentato attraverso un dispositivo di commutazione esterno, come un timer, né essere collegato a un circuito

attivato o disattivato dal gestore del servizio elettrico.

- ◆ Non usare mai l'elettrotensile se sono presenti altre persone, in modo particolare bambini, o animali domestici, nelle vicinanze.
- ◆ Ricordare che l'utilizzatore è responsabile di eventuali rischi o incidenti che coinvolgono terzi o i loro beni.

Prima dell'uso

- ◆ Durante l'uso del rasaerba indossare sempre calzature da lavoro robuste e calzoncini lunghi. Non usare il tosaerba a piedi nudi o quando si indossano sandali. Evitare di indossare capi di abbigliamento larghi o con cordoncini pendenti o lacci.
- ◆ Ispezionare sempre a fondo la zona dove il tosaerba deve essere usato ed eliminare tutti gli oggetti che potrebbero essere lanciati dalla lama rotante.
- ◆ Prima dell'impiego, controllare a vista che la lama, il bullone di fissaggio della lama e il gruppo di taglio non siano usurati o danneggiati. Sostituire i componenti usurati o danneggiati in serie per mantenere il bilanciamento del tosaerba. Sostituire le etichette danneggiate o illeggibili.

Dopo l'uso

- ◆ Quando non viene usato, l'elettrotensile deve essere custodito in un luogo asciutto e ben ventilato, fuori dalla portata dei bambini.

- ◆ L'apparecchio non deve essere riposto alla portata dei bambini.
- ◆ Se viene conservato o trasportato a bordo di un veicolo, l'elettrotensile deve essere riposto nel bagagliaio o legato per evitare che si sposti in caso di cambiamento repentino della velocità o della direzione di marcia.

Ispezione e riparazioni

- ◆ Prima dell'uso, verificare che l'elettrotensile non sia danneggiato e non presenti parti difettose. Controllare che non siano presenti parti rotte, interruttori danneggiati o altre condizioni che potrebbero incidere sul suo funzionamento.
- ◆ Non usare l'apparecchio se alcune parti sono danneggiate o difettose.
- ◆ Fare riparare o sostituire le parti danneggiate o difettose da un tecnico autorizzato.
- ◆ Non tentare di smontare o sostituire alcuna parte, ad eccezione di quelle specificate in questo manuale.
- ◆ Prestare attenzione durante la regolazione del rasaerba, per prevenire lo schiacciamento delle dita tra le lame/parti in movimento e le parti fisse dell'elettrotensile.
- ◆ Quando si esegue la manutenzione delle lame, tenere presente che, anche se l'alimentazione elettrica è scollegata, le lame potrebbero comunque ruotare.

Precauzioni di sicurezza aggiuntive per i rasaerba

- ◆ Non trasportare il tosaerba acceso
- ◆ Durante l'uso del rasaerba afferrare saldamente il manico con entrambe le mani.
- ◆ Se in qualsiasi momento dovesse essere necessario inclinare il tosaerba, tenere entrambe le mani nella posizione di lavoro mentre lo si inclina. Tenere entrambe le mani nella posizione di lavoro fino a quando il tosaerba è di nuovo appoggiato correttamente a terra.
- ◆ Non indossare auricolari di radio o riproduttori di musica quando si usa il rasaerba.
- ◆ Non tentare mai di regolare l'altezza delle ruote con il motore acceso o quando la chiave di sicurezza si trova nell'alloggiamento dell'interruttore.
- ◆ Se il rasaerba si ferma, rilasciare la barra di sicurezza per spegnerlo e attendere che la lama si fermi prima di tentare di sbloccare il condotto o di rimuovere qualsiasi oggetto da sotto la scocca.
- ◆ Tenere mani e piedi lontani dalla zona di taglio.
- ◆ Mantenere le lame affilate. Indossare sempre guanti di protezione quando si maneggia la lama del tosaerba.
- ◆ Se si usa il cesto raccogliherba, controllare di frequente che non sia usurato o danneggiato.
Se è molto usurato, sostituirlo con uno nuovo per la propria sicurezza.
- ◆ Prestare la massima attenzione quando si procede in retromarcia o quando si tira il tosaerba verso sé stessi.
- ◆ Non mettere mani o piedi vicino o sotto al tosaerba.
Tenersi sempre lontani dall'apertura dello scarico.
- ◆ Eliminare dalla zona dove deve essere usato il tosaerba corpi estranei, quali sassi, pezzi di legno, fili di ferro, giocattoli, ossa, ecc., che potrebbero essere lanciati dalla lama.
Eventuali oggetti colpiti dalla lama potrebbero causare lesioni gravi alle persone. Tenersi dietro al manico quando il motore è acceso.
- ◆ Non usare il rasaerba a piedi scalzi o se si indossano sandali. Indossare sempre calzature robuste.
- ◆ Non tirare all'indietro il tosaerba, salvo nel caso in cui sia assolutamente necessario. Guardare sempre in basso e dietro di sé quando si cammina all'indietro.
- ◆ Non dirigere mai il materiale scaricato verso qualcuno. Evitare di scaricare il materiale contro un muro o un ostacolo. Il materiale potrebbe rimbalzare verso l'operatore. Rilasciare la barra di sicurezza per spegnere il rasaerba e fermare la lama quando si attraversano superfici ghiaiate.

- ◆ Non far funzionare il tosaerba se il cesto raccoglierba, la protezione dello scarico, quella posteriore o gli altri dispositivi protettivi di sicurezza non sono montati e non funzionano correttamente. Controllare periodicamente tutte le protezioni e i dispositivi di sicurezza per accertarsi che siano in buone condizioni e che funzionino correttamente, svolgendo la funzione per la quale sono stati progettati.
Sostituire le protezioni o gli altri dispositivi di sicurezza danneggiati prima di continuare a usare il tosaerba.
- ◆ Non lasciare mai incustodito un tosaerba acceso.
- ◆ Rilasciare sempre la barra di sicurezza per spegnere il motore e attendere che la lama si fermi completamente prima di pulire il tosaerba, di staccare il sacco raccoglierba, di sbloccare la protezione dello scarico, quando si lascia il tosaerba incustodito o prima di eseguire qualsiasi regolazione, riparazione o ispezione.
- ◆ Usare il tosaerba solo alla luce del sole o in condizioni di buona illuminazione artificiale, in modo che sia possibile vedere chiaramente dalla posizione di guida eventuali oggetti presenti lungo il percorso della lama.
- ◆ Non utilizzare il tosaerba se ci si trova sotto l'effetto di alcol o stupefacenti oppure se si è stanchi o ammalati. Rimanere sempre vigili, prestare attenzione alle proprie azioni e usare il buon senso.
- ◆ Evitare ambienti pericolosi. Non usare mai il tosaerba quando l'erba è umida o bagnata e sotto la pioggia. Mantenere sempre un buon equilibrio, camminare e non correre mai.
- ◆ Se il rasaerba comincia a vibrare in modo anomalo, rilasciare la barra di sicurezza, attendere che la lama si arresti, e verificare immediatamente a cosa è dovuta la vibrazione. Di solito le vibrazioni segnalano dei problemi. Se si avvertono delle vibrazioni insolite, consultare la guida della Ricerca e risoluzione dei problemi.
- ◆ Indossare sempre occhiali e una mascherina di protezione idonei quando si usa il tosaerba.
- ◆ L'uso di accessori non raccomandati per l'impiego con questo tosaerba potrebbe essere pericoloso. Utilizzare esclusivamente accessori approvati da BLACK+DECKER.
- ◆ Non piegarsi mai eccessivamente in avanti quando si usa il tosaerba. Mantenere sempre un buon equilibrio quando si usa il rasaerba.
- ◆ Per tagliare l'erba lungo un pendio spostarsi trasversalmente e mai procedendo verticalmente in su e in giù. Prestare la massima attenzione quando si cambia direzione su un pendio.
- ◆ Fare attenzione a buche, solchi, sassi o ad altri oggetti nascosti. Su un terreno irregolare è facile scivolare o cadere. L'erba alta può nascondere ostacoli.

- ◆ Non tagliare l'erba quando è bagnata o lungo pendii molto ripidi. La perdita dell'equilibrio può far scivolare o cadere.
- ◆ Non tagliare l'erba vicino a pendii ripidi, fossati o terrapieni. dove è facile perdere l'equilibrio.
- ◆ Lasciare che il tosaerba si raffreddi prima di riporlo.

Estrarre la spina dalla presa di corrente e rimuovere il pacco batteria dal tosaerba. Assicurarsi che tutte le parti mobili siano completamente ferme

- ◆ ogni volta che si lascia il tosaerba;
- ◆ prima di eliminare un'ostruzione;
- ◆ prima di controllare, pulire o eseguire la manutenzione dell'elettrotensile.

Sicurezza altrui

- ◆ Questo elettrotensile non è destinato all'uso da parte di persone (compresi i bambini) con capacità fisiche, sensoriali o mentali ridotte, o prive di esperienza e conoscenze, salvo che non siano sottoposte a sorveglianza o ricevano istruzioni riguardo all'uso dell'elettrotensile da parte di una persona responsabile della loro sicurezza.
- ◆ I bambini devono essere sorvegliati per assicurarsi che non giochino con l'apparecchio.
- ◆ Dopo aver colpito un corpo estraneo. Verificare che l'elettrotensile non presenti danni ed eseguire le riparazioni necessarie;

Rischi residui.

L'utilizzo dell'elettrotensile può comportare rischi residui non necessariamente riportati in queste avvertenze di sicurezza. Tali rischi possono sorgere a seguito di un uso prolungato o improprio, ecc. Malgrado l'applicazione delle principali regole di sicurezza e l'implementazione di dispositivi di sicurezza, alcuni rischi residui non possono essere evitati. Sono inclusi:

- ◆ lesioni causate o subite a seguito del contatto con parti rotanti/in movimento.
- ◆ lesioni causate o subite durante la sostituzione di parti, lame o accessori.
- ◆ lesioni causate dall'impiego prolungato di un apparecchio (quando si utilizza qualsiasi utensile per lunghi periodi, accertarsi di fare regolarmente delle pause);
- ◆ menomazioni uditive.
- ◆ rischi per la salute causati dall'aspirazione di polvere generata dall'utilizzo dell'elettrotensile (ad esempio, quando si lavora con il legno, in modo particolare quello di quercia, faggio o l'MDF).
- ◆ Se l'uso del tosaerba in un luogo umido è inevitabile, utilizzare un interruttore differenziale (RCD) da non più di 30 mA. L'uso di un interruttore differenziale salvavita riduce il rischio di scossa elettrica.
- ◆ Non sollevare da terra né trasportare mai l'elettrotensile con il motore in funzione.

Simboli di avvertenza

Sull'elettrotensile sono presenti i seguenti simboli, insieme al codice data:



Avvertenza! Prima dell'uso leggere il manuale.



Non esporre l'elettrotensile alla pioggia o umidità elevata.



Prestare attenzione alle lame taglienti. Le lame continuano a girare dopo lo spegnimento del motore. Rimuovere il dispositivo di disabilitazione prima della manutenzione o se il cavo è danneggiato.



Fare attenzione agli oggetti lanciati in aria. Tenere gli osservatori lontani dalla zona di taglio.



Utilizzare protezioni oculari



Le lame continuano a girare dopo lo spegnimento del tosaerba.



Livello di pressione acustica garantito ai sensi della Direttiva 2000/14/CE.

Istruzioni di sicurezza aggiuntive riguardanti batteria e caricabatterie

Batterie

- ◆ Non tentare mai di aprire una batteria per alcun motivo.

- ◆ Non lasciare che le batterie si bagnino.
- ◆ Non esporre la batteria al calore.
- ◆ Non riporre in luoghi dove la temperatura potrebbe superare 40°C.
- ◆ Caricare solo a temperature ambiente tra 10 °C e 40 °C.
- ◆ Caricare solo usando il caricabatterie fornito con l'elettrotensile. L'uso del caricabatterie sbagliato potrebbe causare scosse elettriche o il surriscaldamento della batteria.
- ◆ Per lo smaltimento delle batterie, seguire le istruzioni fornite alla sezione "Tutela ambientale".
- ◆ Non danneggiare/deformare il pacco batteria forandolo o colpendolo, per evitare il rischio di lesioni personali o di incendio.
- ◆ Non caricare le batterie danneggiate.
- ◆ In condizioni estreme, si potrebbe verificare la perdita di liquido dalle batterie. Se si nota la presenza di liquido sulle batterie, pulirle con attenzione con uno straccio. Evitare il contatto con la pelle.
- ◆ In caso di contatto con la pelle o gli occhi, seguire le istruzioni riportate di seguito.

Avvertenza! Il liquido della batteria potrebbe provocare lesioni alle persone e/o danni alla proprietà. In caso di contatto con la pelle, risciacquare immediatamente con acqua.

In caso di rossore, dolore o irritazione, rivolgersi immediatamente a un medico.

In caso di contatto con gli occhi, risciacquarli immediatamente con acqua pulita e consultare un medico.



Non tentare di caricare delle batterie danneggiate.

Caricabatterie

Il caricabatterie è stato progettato per una tensione specifica.

Verificare sempre che la tensione di rete corrisponda a quella indicata sulla targhetta dei valori nominali.

Avvertenza! Non tentare mai di sostituire il caricabatterie con una spina elettrica tradizionale.

- ◆ Usare il caricabatterie Black & Decker solo per caricare la batteria dell'elettrodomestico con il quale è stato fornito. Tipi diversi di batterie potrebbero scoppiare provocando lesioni personali e danni materiali.
- ◆ Non tentare mai di caricare batterie non ricaricabili.
- ◆ In caso di danneggiamento del cavo di alimentazione, farlo riparare dal produttore o presso un Centro di assistenza Black & Decker autorizzato, in modo da evitare pericoli.
- ◆ Non lasciare che il caricabatterie si bagni.
- ◆ Non aprire il caricabatterie.
- ◆ Non collegare il caricabatterie a sonde.
- ◆ L'elettrodomestico/elettrodomestico/la batteria devono essere lasciati in una zona ben ventilata durante la carica.



Il caricabatterie è destinato esclusivamente all'uso in ambienti interni.



Leggere questo manuale d'istruzioni prima dell'uso.

Sicurezza elettrica



Il doppio isolamento di cui è provvisto il caricabatterie rende superfluo il filo di terra.

Verificare sempre che la tensione di rete corrisponda a quella indicata sulla targhetta dei valori nominali. Non tentare mai di sostituire il caricabatterie con una spina elettrica normale

- ◆ In caso di danneggiamento del cavo di alimentazione, farlo riparare dal produttore o presso un Centro di assistenza Black & Decker autorizzato, in modo da evitare pericoli.

Caratteristiche

Questo elettrodomestico presenta alcune o tutte le seguenti caratteristiche.

1. Scatola dell'interruttore
2. Impugnatura a staffa
3. Manico superiore
4. Manico inferiore
5. Manopole di bloccaggio manico superiore (2)
6. Portello di bloccaggio manico inferiore (2)
7. Leva di regolazione altezza di taglio
8. Sacco raccogliherba
9. Coperchio posteriore
10. Manici per il trasporto

Procedura di caricamento

I caricabatterie BLACK+DECKER sono progettati per caricare le batterie BLACK+DECKER.

- ◆ Collegare il caricabatterie a una presa di corrente adatta prima di inserire la batteria.
- ◆ Inserire la batteria nel caricabatterie.



Il LED verde lampeggia mentre la carica è in corso.



Il completamento della carica sarà indicato dal LED verde che rimane continuamente acceso. Il pacco batteria è completamente carico e può essere utilizzato in questo momento o lasciato nel caricabatterie.

Avvertenza! Ricaricare le batterie scariche al più presto dopo l'uso, altrimenti la loro durata potrebbe ridursi notevolmente.

Diagnostica del caricabatteria

Questo caricabatterie è progettato per rilevare alcuni problemi che possono insorgere con i pacchi batteria o la fonte di alimentazione. I problemi sono indicati da un LED che lampeggia secondo schemi differenti.

Batteria guasta



Il caricabatterie in grado di rilevare una batteria scarica o danneggiata.

Il LED rosso lampeggia secondo lo schema indicato sull'etichetta. Se compare questo schema di batteria guasta, non continuare a caricare la batteria. Consegnarla a un centro di assistenza o a un sito di raccolta per il riciclaggio.

Ritardo per pacco batteria caldo/freddo



Quando il caricabatterie rileva una batteria troppo calda o troppo fredda avvia automaticamente la funzione di ritardo pacco caldo/freddo,

sospendendo il caricamento finché la batteria non ha raggiunto la temperatura normale.

In seguito, il caricabatterie passa automaticamente alla modalità Ricarica pacco. Questa funzione garantisce la massima durata della batteria. Il LED rosso lampeggia secondo lo schema indicato sull'etichetta quando viene rilevato un ritardo pacco caldo/freddo.

Note importanti riguardanti la ricarica

- ◆ È possibile ottenere la massima durata e prestazioni ottimali se la batteria viene caricata quando la temperatura dell'aria è compresa tra 16°C e 27°C (60°F - 80°F).
- ◆ NON caricare il pacco batteria con una temperatura dell'aria al di sotto di +4,5°C (+40°F), o al di sopra di +40,5°C (+105°F). Questo fatto è importante e consentirà di evitare gravi danni alla batteria.
- ◆ Il caricabatterie e il pacco batteria possono diventare caldi al tatto durante la carica. È un fatto normale che non indica la presenza di problemi. Per facilitare il raffreddamento della batteria dopo l'uso, evitare di posizionare il caricabatterie o il pacco batteria in un ambiente caldo, come ad esempio un capannone di metallo o un rimorchio non isolato.
- ◆ Se il pacco batteria non si ricarica correttamente:
 - ◆ controllare la presenza di corrente nella presa collegandovi una lampada o apparecchio simile
 - ◆ Verificare se la presa è collegata ad un interruttore della luce che si spegne quando si spengono le luci.

- ◆ Spostare il caricabatterie e il pacco batteria in un luogo in cui la temperatura dell'aria circostante è di circa 16° - 27°C (60°F - 80°F).
- ◆ Se i problemi di ricarica persistono, portare l'utensile, la batteria e il caricabatterie presso il centro di assistenza di zona.
- ◆ Il pacco batteria deve essere sostituito se non riesce a produrre energia a sufficienza per svolgere lavori che prima venivano eseguiti con facilità. NON CONTINUARE a usarlo in queste condizioni. Seguire la procedura di carica. È anche possibile caricare una batteria parzialmente utilizzata ogni volta che si desidera senza alcun effetto negativo sulla batteria stessa.
- ◆ Materiali estranei di natura conduttiva quali, a titolo esemplificativo, ma non esaustivo, lana d'acciaio, fogli di alluminio o qualsiasi accumulo di particelle metalliche, devono essere tenuti lontano dalle cavità del caricabatterie. Staccare sempre il caricabatterie dalla presa di corrente quando la batteria non è inserita. Staccare il caricabatterie dalla presa di corrente prima di iniziare a pulirlo.
- ◆ Non immergere nessuna parte del caricabatterie in acqua o altri liquidi.

Avvertenza! Non far penetrare alcun liquido all'interno del caricabatterie.

NON TENTARE MAI DI APRIRE IL PACCO BATTERIA PER ALCUN MOTIVO. SE L'ALLOGGIAMENTO IN PLASTICA DEL PACCO BATTERIA SI ROMPE O CREPA, PORTARLO PRESSO UN CENTRO DI ASSISTENZA PER IL RICICLAGGIO.

Indicatore dello stato di carica della batteria

La batteria è dotata di un indicatore dello stato di carica, che può essere usato per mostrare il livello attuale di carica della batteria durante l'uso e la ricarica. Non indica la funzionalità dell'elettrostrumento ed è soggetto a variazioni in base ai componenti prodotto, alla temperatura e all'applicazione dell'utente finale.

Verifica dello stato di carica

- ◆ Premere il pulsante dell'indicatore dello stato di carica (12a).
- ◆ I tre LED (12b) si illumineranno per indicare la percentuale di carica della batteria. Vedere il diagramma riportato nella Figura B.
- ◆ Se il LED non si accende, ricaricare la batteria.

Come installare i pacchi batteria (fig. C, C1)

- ◆ Sollevare il coperchio del portello batteria (14) fino a scoprire il portello batteria.
- ◆ Fare scorrere la batteria (12) nel portello batteria fino a quando è insediata a fondo e si avverte un clic (Figura C). Assicurarsi che il pacco batteria sia insediato a fondo e completamente bloccato in posizione.

L'unità BCMW3318 ha due portelli batteria come indicato in Figura C1.

- ◆ Chiudere il coperchio del portello batteria. Assicurarsi che il coperchio sia completamente bloccato prima di avviare il tosaerba.

Per rimuovere il pacco batteria

- ◆ Aprire il coperchio del portello batteria (14) come descritto sopra.
- ◆ Premere il pulsante di rilascio della batteria sul pacco batteria ed estrarre il pacco batteria dall'elettrotensile.

Assemblaggio

Avvertenza! Prima di assemblare il rasaerba assicurarsi che la barra di sicurezza venga rilasciata.

Attacco del manico inferiore

- ◆ Premere il pulsante (4a) sul portello di bloccaggio del manico inferiore (6) e inserire il manico inferiore (4).
Regolare l'altezza secondo necessità.

Nota! Assicurarsi che ciascun lato del manico inferiore sia posizionato sulla stessa altezza.

Montaggio del manico superiore (Fig. H)

Il manico superiore presenta due diverse serie di fori corrispondenti a due posizioni di montaggio, che consentono di regolare la lunghezza del manico dalla scocca.

La prima serie di fori che si trova accanto alla base del tubo del manico superiore consente di regolare la lunghezza massima del manico. Utilizzando i fori posti in alto è possibile accorciare il manico.

- ◆ Rimuovere le manopole di bloccaggio manico superiore (5) e il bullone (5a) dal manico superiore.
- ◆ Allineare i fori nella parte inferiore del manico superiore (3) con i fori nella parte superiore del manico inferiore (4).
- ◆ Dalla parte esterna del manico superiore (3), fare scorrere il bullone della leva attraverso i fori.
- ◆ Ruotare il manico superiore nella posizione di funzionamento.
- ◆ Serrare le manopole di bloccaggio del manico superiore (5).

Fissaggio del cavo del motore (Fig. F)

Avvertenza: fissare il cavo in modo che non si allunghi e non rimanga schiacciato nei giunti dei manici durante l'uso o il ripiegamento. Ciò può provocare danni al cavo.

Il cavo del motore deve essere fissato ai manici utilizzando i fermi fissacavo già attaccati ai manici stessi.

Per fissare il cavo ai manici:

- ◆ Mettere le mani nella posizione di lavoro (vedere la sezione "Montaggio del manico inferiore").
- ◆ Fare passare il cavo sul davanti dei manici superiore e inferiore.

- ◆ Tirare indietro il fermo fissacavo.
- ◆ Fare scorrere il cavo sotto il fermo e assicurarsi che sia tenuto completamente in posizione dal fermo fissacavo.

Pacciamatura

Avvertenza! Rimuovere la chiave e i pacchi batteria prima di rimuovere

l'accessorio di scarico laterale e il sacco raccoglierba e quando si installa l'inserto per pacciamatura.

- ◆ Assicurarsi che l'accessorio di scarico laterale e il sacco raccoglierba non siano attaccati.
- ◆ Sollevare il coperchio del portello posteriore (9) e fare scorrere l'inserto per pacciamatura completamente all'interno del rasaerba.
- ◆ Prima di azionare il rasaerba, assicurarsi che il coperchio del portello posteriore si chiuda completamente.

Funzionamento

Leggere il presente manuale di istruzioni prima dell'uso. Vedere la sezione "Caratteristiche" per acquisire familiarità con la posizione dei vari dispositivi di controllo e di regolazione. Conservare questo manuale di istruzioni per future consultazioni.

Avvertenza! Lasciare che il rasaerba funzioni al suo ritmo. Non sovraccaricarlo.

Avvertenza! Lama mobile e affilata. Non far funzionare il rasaerba nella modalità di scarico laterale o pacciamatura se lo sportello posteriore non è chiuso dalla tensione della molla, dato che si potrebbero subire e causare lesioni gravi. Portare il rasaerba presso il centro di assistenza più vicino per farlo riparare.

Regolazione dell'altezza del rasaerba

L'altezza del taglio viene regolata per mezzo della leva di regolazione dell'altezza di taglio.

Nota: Se non si è sicuri dell'altezza di taglio, iniziare a tagliare l'erba con la leva di regolazione dell'altezza (7) nella posizione a destra.

Regolare l'altezza verso il basso secondo necessità.

Montaggio del sacco di raccolta dell'erba (fig. F, G)

- ◆ Sollevare il coperchio del portello posteriore (9) come mostrato in figura (F).
- ◆ Posizionare il sacco raccoglierba (8) sul rasaerba in modo tale che i ganci (8a) restino appoggiati sulle linguette (8b) come mostrato in figura (G). Quindi abbassare il portello posteriore.

Avvio del rasaerba (fig. H)

Avvertenza! Lama mobile e affilata. Non tentare mai di escludere il funzionamento di questa scatola interruttore dato che potrebbero verificarsi lesioni gravi.

Nota: Il rasaerba può funzionare solo se la batteria o le batterie sono installate.

- ◆ Il rasaerba è dotato di una speciale scatola interruttore di accensione/spengimento. Per azionare il rasaerba, premere il pulsante (1a) sulla scatola interruttore (1), quindi tirare la barra di sicurezza (2) verso la barra del manico, come illustrato nella Figura H. Una volta avviato il rasaerba è possibile rilasciare il pulsante.
- ◆ Per spegnere il rasaerba, rilasciare semplicemente la barra di sicurezza.

Avvertenza! Non tentare mai di bloccare un interruttore o la barra di sicurezza (2) in posizione on (acceso).

Nota: Una volta tornata nella posizione originale, la barra di sicurezza attiva il meccanismo di frenatura automatica. Il motore è frenato elettricamente e la lama del rasaerba smette di ruotare in 3 secondi o meno.

Sovraccarico del rasaerba

Per prevenire danni dovuti a condizioni di sovraccarico, non tentare di rimuovere troppa erba in una sola passata. Rallentare la velocità di taglio oppure aumentare l'altezza di taglio.

Stoccaggio

Avvertenza! La lama rotante può causare lesioni gravi. Rilasciare la barra di sicurezza (2) per spegnere il rasaerba, rimuovere la batteria prima di sollevare, trasportare o stoccare il rasaerba. Stoccare in un luogo asciutto.

Avvertenza! Per evitare di rimanere schiacciati, mantenere le dita lontano dall'area tra i manici quando i manici vengono ripiegati.

Avvertenza! Assicurarsi che il cavo non si allunghi e non rimanga schiacciato nei giunti dei manici durante il ripiegamento. Ciò può provocare danni al cavo.

Il manico del rasaerba può essere facilmente ripiegato per essere stoccato in modo rapido e comodo.

Trasporto del rasaerba

- ◆ Il rasaerba può essere comodamente trasportato per mezzo delle maniglie di trasporto (10). **NON** tentare di sollevare il rasaerba afferrando il manico superiore (3) o il manico inferiore (4).

Consigli per il taglio dell'erba

Avvertenza! Ispezionare sempre la zona dove deve essere usato il tosaerba ed eliminare pietre, bastoncini, fili di ferro, ossa e qualsiasi altro detrito che potrebbe essere lanciato dalla lama mentre ruota.

Avvertenza! Sui pendii, tagliare l'erba trasversalmente e mai procedendo verticalmente in su e in giù. Prestare la massima attenzione quando si cambia direzione su un pendio. Non tagliare l'erba su pendii molto ripidi. Mantenersi sempre in equilibrio.

- ◆ Rilasciare la barra di sicurezza per spegnere il rasaerba quando si attraversano zone ghiaiate (la lama che ruota potrebbe lanciare il pietrisco).
- ◆ Regolare il rasaerba all'altezza di taglio più alta quando si falcia su terreni secchi o con erbacce alte. Se si taglia troppa erba in una sola passata, il motore si può sovraccaricare, arrestando il rasaerba. Consultare la guida della Ricerca guasti.
- ◆ Se nella stagione di crescita rapida dell'erba si usa il sacco raccogliherba (8), l'erba potrebbe intasare l'apertura di scarico. Rilasciare la barra di sicurezza per spegnere il rasaerba e sfilare la chiave di sicurezza. Rimuovere il cesto raccogliherba e scrollare lo sfalcio verso la parte posteriore del sacco. Pulire via anche sfalcio e detriti che possono essersi accumulati attorno all'apertura di scarico. Sostituire il cesto raccogliherba.
- ◆ Se il rasaerba dovesse iniziare a vibrare in modo anomalo, rilasciare la barra di sicurezza per spegnere il rasaerba e sfilare la chiave di sicurezza. Verificare immediatamente quale possa essere la causa. Una vibrazione segnala la presenza di problemi. Non far funzionare il rasaerba fino a quando non è stato eseguito un controllo di manutenzione. Consultare la guida della Ricerca guasti nel manuale.
- ◆ Rilasciare sempre la barra di sicurezza per spegnere il rasaerba quando lo si lascia incustodito anche per un breve periodo di tempo.

Consigli per ottenere performance ottimali

- ◆ Rallentare in zone dove l'erba è particolarmente lunga o folta.
- ◆ Evitare di tagliare l'erba bagnata dalla pioggia o dalla rugiada.
- ◆ Tagliare l'erba frequentemente, in modo particolare durante i periodi di crescita rapida.

Nota: si raccomanda di ricaricare il tosaerba dopo l'uso, per prolungare la vita utile della batteria.

Una ricarica frequente non danneggia la batteria e assicura che sarà completamente carica e pronta per l'impiego successivo. Riporre una batteria non completamente carica riduce la sua vita utile.

Rimozione e installazione della lama

Avvertenza! Al momento di riassembleare il gruppo lama, assicurarsi che siano installate correttamente tutte le parti, come descritto sotto.

Un assemblaggio scorretto della lama o di altre parti del gruppo lama potrebbe causare lesioni gravi.

Avvertenza! Rilasciare la barra di sicurezza per spegnere il rasaerba, attendere che la lama si arresti e scollegare il rasaerba.

- ◆ Tagliare un pezzo di legno 2x4 (14) (lungo 610 mm) per impedire che la lama ruoti quando si rimuove il bullone (13).
- ◆ Indossare guanti e occhiali di protezione idonei.
- ◆ Girare di lato il tosaerba. Fare attenzione ai fili della lama. Posizionare il pezzo di legno e svitare il bullone utilizzando una chiave da 13 mm (36), come illustrato nella Figura I.
- ◆ Notare l'orientamento di ciascuna parte man mano che vengono rimosse. Rimuovere il bullone (15) e la rondella (16). Estrarre la rondella (17), come illustrato nella Figura J. Esaminare tutti i pezzi per verificare che non siano danneggiati e, in caso affermativo, sostituirli.
- ◆ La lama può essere collegata alla ventola (20) in una sola direzione. Per il riassetto, allineare il foro a forma di "D" della lama con il piolo a forma di "D" della ventola, assicurandosi che la scritta sulla lama sia rivolta verso l'esterno rispetto al rasaerba.
- ◆ Per serrare la lama saldamente, posizionare il pezzo di legno come illustrato nella Figura Y, in modo da evitare che la lama ruoti. Fare scorrere il bullone attraverso la rondella e stringere il bullone in senso orario in sede con una chiave da 13 mm (13), come illustrato nella Figura K.

Affilatura della lama

Mantenere affilata la lama per ottenere le migliori prestazioni del tosaerba. Una lama spuntata non taglia nettamente l'erba. Indossare occhiali di protezione idonei quando si smonta, si affila e si rimonta una lama. Assicurarsi che la chiave di sicurezza e il pacco batteria siano rimossi.

In circostanze normali, è di solito sufficiente affilare la lama due volte durante la stagione di taglio.

La sabbia spunta rapidamente la lama. Se il prato tagliato ha un terreno sabbioso, può essere necessaria un'affilatura più frequente.

Nota: Sostituire immediatamente la lama piegata o danneggiata.

Durante l'affilatura della lama:

- ◆ Verificare che la lama rimanga bilanciata.
- ◆ Affilare la lama in base all'angolo di taglio originale.
- ◆ Affilare i bordi su entrambe le estremità della lama, asportando quantitativi pari di materiale da entrambe le estremità.

Affilatura della lama in una morsa (fig. L)

- ◆ Prima di rimuovere la lama, assicurarsi che la barra di sicurezza sia stata rilasciata, che la lama si sia arrestata e che il rasaerba sia scollegato.
- ◆ Rimuovere la lama dal rasaerba. (vedere le istruzioni per la rimozione e installazione della lama).
- ◆ Bloccare la lama (17) in una morsa.
- ◆ Indossare occhiali e guanti di protezione idonei e prestare attenzione a non tagliarsi.

Limare con attenzione i fili della lama con una lima sottile o con una pietra per affilare, conservando il filo originale. Verificare che la lama sia bilanciata. (vedere le istruzioni per il bilanciamento della lama).

- ❖ Sostituire la lama sul rasaerba e serrarla saldamente.

Bilanciamento della lama

Controllare il bilanciamento della lama (17) infilando su un chiodo o su un cacciavite con gambo rotondo, serrati orizzontalmente in una morsa, il foro centrale della lama. Se una delle estremità della lama ruota cadendo verso il basso, affilare il bordo tagliente dell'estremità cadente. La lama è bilanciata se nessuna delle due estremità cade.

Lubrificazione

La lubrificazione non è necessaria. Non oliare le ruote, dato che sono dotate di superfici portanti in plastica che non richiedono lubrificazione.

Pulizia

Rilasciare la barra di sicurezza (2) per spegnere il rasaerba, attendere che la lama si fermi. Per pulire il tosaerba, utilizzare solamente sapone neutro e un panno umido. Pulire via l'eventuale sfalco accumulatosi sulla parte inferiore della scocca del tosaerba. Dopo vari impieghi, controllare che tutti gli elementi di fissaggio in vista siano ben saldi.

Prevenzione della corrosione

I fertilizzanti e gli altri prodotti chimici usati in giardino contengono sostanze che velocizzano notevolmente la corrosione dei metalli. Se si taglia l'erba in zone dove sono stati usati fertilizzanti o prodotti chimici, il tosaerba deve essere pulito subito dopo l'impiego nel modo seguente:

Rilasciare la barra di sicurezza (2) per spegnere il rasaerba e scollegare il rasaerba. Strofinare tutte le parti esposte con un panno umido.

Manutenzione

Questo apparecchio/elettrotensile BLACK+DECKER, con o senza cavo, è stato progettato per funzionare a lungo con una manutenzione minima. Per ottenere prestazioni sempre soddisfacenti occorre avere cura dell'elettrotensile e sottoporlo a pulizia periodica.

Avvertenza! Prima di eseguire interventi di manutenzione su elettrotensili con o senza filo procedere come descritto di seguito.

- ◆ Spegner e scollegare l'apparecchio/elettrotensile dalla presa di corrente.
- ◆ Oppure scaricare completamente la batteria se è di tipo integrale, quindi spegnere l'elettrotensile.
- ◆ Scollegare il caricabatterie dalla spina prima di pulirlo. Il caricabatterie non richiede nessuna manutenzione, salvo una regolare pulitura.

- ◆ Pulire regolarmente le prese di ventilazione dell'elettrotensile/apparecchio e del caricabatterie con un pennello o con un panno morbido e asciutto.
- ◆ Pulire regolarmente il vano del motore con un panno umido. Non usare materiali abrasivi o detergenti a base di solventi.
- ◆ Usare regolarmente un raschietto non affilato per eliminare erba e sporcizia dalla parte inferiore della protezione.

Ricerca e risoluzione dei problemi

Se l'apparecchio non dovesse funzionare correttamente, seguire le istruzioni riportate di seguito.

Nel caso in cui non sia comunque possibile risolvere il problema, rivolgersi al tecnico BLACK+DECKER di zona.

Avvertenza! Prima di continuare, rilasciare la barra di sicurezza per spegnere il rasaerba e attendere che la lama si arresti.

Problema	Possibile soluzione
Il rasaerba non funziona quando la barra di sicurezza è attivata.	Controllare per assicurarsi che il rasaerba sia correttamente collegato alla corrente e che il pulsante sulla scatola interruttore sia completamente premuto, prima di tirare la barra di sicurezza.
	Rilasciare la barra di sicurezza per spegnere il rasaerba. Rimuovere il pacco batteria, capovolgere il rasaerba e controllare che la lama possa ruotare liberamente.
	Controllare che nella sede della batteria non siano presenti impurità e che la batteria sia collegata correttamente.
Il motore si spegne durante la falciatura.	La batteria è stata ricaricata completamente? Premere il pulsante dello stato di carica.
	Rilasciare la barra di sicurezza per spegnere il rasaerba. Rimuovere il pacco batteria, capovolgere il rasaerba e controllare che la lama possa ruotare liberamente.
	Regolare l'altezza di taglio delle ruote sulla posizione più alta e avviare il rasaerba.
	Controllare che nella sede della batteria non siano presenti impurità e che la batteria sia collegata correttamente.
	La batteria è stata ricaricata completamente? Premere il pulsante dello stato di carica.
Il rasaerba funziona ma le prestazioni di taglio non sono soddisfacenti.	Evitare di sovraccaricare il tosaerba. Rallentare la velocità di taglio oppure aumentare l'altezza di taglio.
	Rilasciare la barra di sicurezza per spegnere il rasaerba. Scollegare il rasaerba dalla corrente. Capovolgere il rasaerba e controllare: <ul style="list-style-type: none"> ◆ l'affilatura della lama (mantenere la lama ben affilata); ◆ che la scocca e il condotto di scarico non siano intasati.
Le ruote possono essere state regolate a un'altezza troppo bassa per le condizioni dell'erba. Aumentare l'altezza di taglio.	
Il rasaerba è troppo duro da spingere.	Rilasciare la barra di sicurezza per spegnere il rasaerba. Scollegare il rasaerba dalla corrente. Aumentare l'altezza di taglio per ridurre la resistenza della scocca sull'erba. Controllare che ogni ruota giri liberamente.

Problema	Possibile soluzione
Il rasaerba fa rumore e vibra in modo anomalo.	Rilasciare la barra di sicurezza per spegnere il rasaerba e rimuovere il pacco batteria. Girare di lato il rasaerba e controllare la lama per verificare che non si sia piegata o danneggiata. Se la lama è danneggiata, sostituirla con una di ricambio BLACK+DECKER. Se la parte inferiore della scocca è danneggiata, portare il rasaerba presso un centro assistenza BLACK+DECKER autorizzato.
	Se non vi sono danni visibili sulla lama e il rasaerba continua a vibrare: <ul style="list-style-type: none"> ◆ Rilasciare la barra di sicurezza per spegnere il rasaerba. ◆ Rimuovere il pacco batteria. ◆ Disassemblare l'intero gruppo lama, come descritto nella sezione "Rimozione e installazione della lama". ◆ Rimuovere gli eventuali detriti presenti e pulire tutti i pezzi. ◆ Sostituire ciascun pezzo, come descritto nella sezione "Rimozione e installazione della lama".
	Se il rasaerba continua a vibrare, portarlo presso un centro di assistenza BLACK+DECKER autorizzato.
Il LED del caricabatterie non si accendono	Controllare la connessione. Sostituire il caricabatterie.
Il rasaerba non raccoglie lo sfalcio nel sacco.	Condotta intasata. Rilasciare la barra di sicurezza per spegnere il rasaerba. Rimuovere il pacco batteria. Eliminare lo sfalcio dal condotto.
	Sollevare l'altezza di taglio delle ruote per accorciare la lunghezza del taglio.
	Sacco pieno. Svuotare il sacco più frequentemente.

Tutela ambientale



Raccolta differenziata. I prodotti e le batterie contrassegnati con questo simbolo non devono essere smaltiti con i rifiuti domestici normali.

I prodotti e le batterie contengono materiali che possono essere recuperati o riciclati, riducendo la richiesta di materie prime. Riciclare i prodotti elettrici e le batterie attenendosi alle disposizioni locali vigenti. Ulteriori informazioni sono disponibili all'indirizzo www.2helpU.com

Dati tecnici

		BCMW3318	BCMW3336
Tensione	Vcc	18V	36V
Velocità in assenza di carico	min ⁻¹	3800RPM	3800RPM
Peso	kg	15	15
Lunghezza lama	cm	33	33

Batterie				Caricabatterie (minuti)					
Cod. cat.	Vcc	Ah	Peso (kg)	Cod. cat.	90592287*	N517388*	BDC1A	BDC2A	BDC2A36
				Amp	400mA	1A	1A	2 A	1,35A
BL1918	18	1,5	0,38	BL1918	225	90	90	45	X
BL1918ST	18	1,5	0,38	BL1918ST	225	90	90	45	X
BL2018	18	2,0	0,39	BL2018	300	120	120	60	X
BL2018ST	18	2,0	0,39	BL2018ST	300	120	120	60	X
BL2518	18	2,5	0,43	BL2518	300	150	150	75	X
BL4018	18	4,0	0,64	BL4018	600	240	240	120	X
BL5018	18	5,0	0,7	BL5018	750	300	300	135	X
BL2002	30	2,0	0,64	BL2002	X	X	X	X	90
BL2536	36	2,5	0,66	BL2536	X	X	X	X	110
BL1554	18/54	1,5	1,08	BL1554	225	90	90	45	X
BL2554	18/54	2,5	1,2	BL2554	300	150	150	75	X

Valore vibrazione misurata su braccio/mano:
= <2,5 m/s², incertezza (K) = 1,5m/s².

L_{PA} (pressione sonora) 74,5 dB(A)
incertezza (K) = 2,5 dB(A)

L_{WA} (pressione sonora) 86 dB(A)
incertezza (K) = 1,5 dB(A)

Dichiarazione di conformità CE DIRETTIVA MACCHINE DIRETTIVA SULLA RUMOROSITÀ ESTERNA



Rasaerba BCMW3318, BCMW3336

Black & Decker dichiara che i prodotti qui descritti nella sezione "Dati tecnici" sono conformi alle normative:
2006/42/CE, EN 60335-1:2012 + A11:2014,
EN 60335-2-77:2010

2000/14/CE, rasaerba, L < 50 cm, Allegato VI,
DEKRA Certification B.V., Utrechtseweg 1051 / P.O. Box 5185
6825 MJ ARNHEM / 6802 ED ARNHEM, Paesi Bassi
ID ente notificato n.: 0344

Livello di potenza sonora in base alla Direttiva 2000/14/CE
(Articolo 12, Allegato III, L ≤ 50cm):

L_{WA} (pressione sonora misurata) 86 dB(A)
incertezza (K) = 1,5 dB(A)

L_{PA} (pressione sonora garantita) 96 dB(A)

Questi prodotti sono inoltre conformi alle direttive 2014/30/UE e 2011/65/UE. Per ulteriori informazioni contattare Black & Decker al seguente indirizzo oppure consultare l'ultima di copertina del manuale.

Il sottoscritto è responsabile della redazione del presente documento tecnico e rilascia questa dichiarazione per conto di Black & Decker.

Becky Cotsworth
Direttore – Outdoor Products Group
Black & Decker Europe, 270 Bath Road, Slough,
Berkshire, SL1 4DX
Regno Unito
11/10/2019

Garanzia

Black & Decker è certa della qualità dei propri prodotti e offre ai consumatori una garanzia di 24 mesi dalla data di acquisto. Il presente certificato di garanzia⁷⁵ è complementare ai diritti legali e non li pregiudica in alcun modo. La garanzia è valida nei territori degli Stati membri dell'Unione Europea o dell'EFTA (Associazione europea di libero scambio).

Per attivare la garanzia, il reclamo deve essere effettuato in accordo con i Termini e Condizioni Black&Decker e sarà necessario presentare la prova di acquisto al venditore o all'agente di riparazione autorizzato. I Termini e condizioni della garanzia Black&Decker di 2 anni e la sede del tecnico riparatore autorizzato più vicino sono consultabili su Internet all'indirizzo www.2helpU.com, o contattando l'ufficio Black&Decker di zona all'indirizzo postale indicato in questo manuale.

Visitare il nostro sito www.blackanddecker.it per registrare il prodotto Black&Decker appena acquistato e ricevere gli aggiornamenti su nuovi prodotti e offerte speciali.

Bedoeld gebruik

De BLACK+DECKER gazonmaaiers BCMW3318 en BCMW3336 zijn ontworpen voor het maaien van gras. Deze apparaten zijn uitsluitend bestemd voor gebruik door consumenten.

Veiligheidsinstructies

Waarschuwing! Bij het gebruik van snoerlose apparaten moeten bepaalde elementaire voorzorgsmaatregelen, waaronder de navolgende, altijd in acht worden genomen zodat het risico van brand, elektrische schokken, persoonlijk letsel en materiële schade wordt beperkt.

Waarschuwing! De veiligheidsregels moeten worden opgevolgd wanneer u het apparaat gebruikt.

Lees voor uw eigen veiligheid en de veiligheid van omstanders deze instructies voordat u het apparaat gebruikt. Bewaar de instructies voor later gebruik.

- ◆ Lees deze handleiding zorgvuldig door voordat u het apparaat in gebruik neemt.
- ◆ In deze handleiding wordt het bedoeld gebruik beschreven. Het gebruik van accessoires of hulpstukken of de uitvoering van handelingen anders dan in deze gebruikershandleiding worden aanbevolen, kan een risico van persoonlijk letsel geven.
- ◆ Bewaar deze handleiding zodat u deze nog eens kunt raadplegen.

Het apparaat gebruiken

Ga bij gebruik van het apparaat altijd voorzichtig te werk.

- ◆ Dit apparaat mag niet zonder supervisie door jonge of lichamelijk zwakke mensen worden gebruikt.
- ◆ Het apparaat mag niet als speelgoed worden gebruikt.
- ◆ Laat kinderen of dieren niet toe tot het werkgebied of het apparaat of het netsnoer aanraken.
- ◆ Let extra goed op wanneer u de machine in de buurt van kinderen gebruikt.
- ◆ Gebruik het apparaat alleen op een droge locatie. Laat het apparaat niet nat worden. Dompel het apparaat niet onder in water.
- ◆ Open de behuizing niet. Binnenin bevinden zich geen onderdelen waaraan de gebruiker onderhoud kan uitvoeren.
- ◆ Gebruik het apparaat niet in een omgeving met explosiegevaar, zoals in de nabijheid van brandbare vloeistoffen, gassen of stof.
- ◆ Beperk het risico van beschadiging van stekkers en snoeren, trek nooit de stekker aan het snoer uit het stopcontact.
- ◆ Controleer voor gebruik altijd dat de bladen, de bouten van de bladen en het maaigedeelte niet versleten of beschadigd zijn. Vervang versleten of beschadigde bladen en bouten tegelijkertijd zodat alles beter op elkaar afgestemd blijft.

- ◆ Voorkom een risico dat ontstaat wanneer de thermische beveiliging onbedoeld wordt gereset, deze machine moet niet op de stroomvoorziening worden aangesloten via een externe schakelaar, zoals een tijd klok, en niet via een circuit dat regelmatig door de elektriciteitsmaatschappij wordt in- en uitgeschakeld, op de stroomvoorziening worden aangesloten.
- ◆ Gebruik de machine nooit als er mensen, met name kinderen, of huisdieren in de buurt zijn.
- ◆ Bedenk dat de gebruiker van het apparaat verantwoordelijk is voor eventuele ongelukken of voor gevaren waaraan andere mensen of hun eigendommen blootstaan.

Voorafgaand aan ingebruikneming

- ◆ Draag altijd stevige schoenen en een lange broek wanneer u met de machine werkt. Gebruik de machine niet wanneer u open sandalen draagt of blootsvoets bent. Draag geen loshangende kleding of kleding met koordjes of bandjes.
- ◆ Inspecteer het gebied waar u met de machine aan het werk gaat grondig en verwijder alle voorwerpen die door de machine kunnen worden weggeslingerd.
- ◆ Controleer vóór gebruik altijd dat het blad, de bladbout en het maaigedeelte niet versleten of beschadigd zijn.

Vervang versleten of beschadigde onderdelen tegelijkertijd zodat alles op elkaar afgestemd blijft. Vervang beschadigde of onleesbare etiketten.

Na gebruik

- ◆ Bewaar het apparaat na gebruik op een droge, goed geventileerde plaats, buiten het bereik van kinderen.
- ◆ Houd apparaten buiten het bereik van kinderen, ook wanneer ze zijn opgeborgen.
- ◆ Wanneer het apparaat in de auto ligt, moet u het in de kofferruimte plaatsen of goed vastzetten, zodat het niet kan bewegen bij plotselinge veranderingen in snelheid of richting.

Inspectie en reparaties

- ◆ Controleer het apparaat vóór gebruik op beschadigde en defecte onderdelen. Controleer het apparaat op gebroken onderdelen, schade aan de schakelaars en andere omstandigheden die de werking ervan kunnen beïnvloeden.
- ◆ Gebruik het apparaat niet als een of meer onderdelen beschadigd of defect is.
- ◆ Laat beschadigde of defecte onderdelen door een geautoriseerde servicemonteur repareren of vervangen.
- ◆ Probeer nooit andere onderdelen te verwijderen of te vervangen dan de onderdelen die in deze handleiding worden genoemd.

- ◆ Let er goed op dat uw vingers bij het afstellen van de maaier niet klem komen te zitten tussen de bewegende messen/onderdelen en de vaste delen van de machine.
- ◆ Denk eraan dat bij het verrichten van onderhoud aan de bladen de bladen kunnen bewegen, ook al is de stroomvoorziening uitgeschakeld.

Aanvullende veiligheidsinstructies voor gazonmaaiers

- ◆ Vervoer de machine niet terwijl de stroomvoorziening is ingeschakeld
- ◆ Houd de handgreep stevig met beide handen vast wanneer u met de gazonmaaier werkt.
- ◆ Als de gazonmaaier op enig moment moet worden gekanteld, zorg er dan voor dat tijdens het kantelen beide handen in de werkpositie blijven. Houd beide handen in de werkpositie tot de gazonmaaier weer goed op de grond staat.
- ◆ Draag nooit een hoofdtelefoon voor radio of muziek wanneer u de gazonmaaier bedient.
- ◆ Probeer nooit de wielhoogte aan te passen terwijl de motor draait of terwijl de veiligheidssleutel zich in de schakelkast bevindt.
- ◆ Schakel de gazonmaaier als deze vastloopt, uit door de handgreep los te laten, wacht tot het maaiblad tot stilstand komt, en probeer vervolgens pas de blokkering van de uitwerpopening te verwijderen of iets van onder het maaimechanisme weg te halen.
- ◆ Blijf met uw handen en voeten weg uit het maai gebied.
- ◆ Houd de zaagbladen scherp. Draag altijd handschoenen bij het hanteren van het maimes van de gazonmaaier.
- ◆ Als u de grasopvang gebruikt, moet u deze regelmatig controleren op slijtage en beschadigingen. Als de grasopvang ernstig is versleten, moet u deze voor uw eigen veiligheid vervangen.
- ◆ Ga zeer voorzichtig te werk wanneer u de gazonmaaier achteruit laat rijden of naar u toe trekt.
- ◆ Kom niet met uw handen of voeten bij of onder de gazonmaaier. Blijf altijd uit de buurt van uitwerpopening.
- ◆ Maak het gebied waar u de gazonmaaier gaat gebruiken vrij van voorwerpen zoals stenen, stokken, draad, speelgoed, botten, enz. Deze kunnen door het maaiblad worden weggeslingerd. Voorwerpen die door het blad worden geraakt, kunnen ernstige verwondingen toebrengen aan personen. Blijf achter de handgreep wanneer de motor draait.
- ◆ Gebruik de gazonmaaier niet op blote voeten en niet wanneer u sandalen draagt. Draag altijd stevig schoeisel.
- ◆ Trek de gazonmaaier alleen achteruit wanneer dat niet anders kan. Kijk altijd omlaag en achter u voordat en terwijl u achteruit loopt.

- ◆ Richt uitgeworpen materiaal niet op iemand. Zorg ervoor dat uitgeworpen materiaal niet tegen een muur of obstakel komt. Het materiaal kan terugkaatsen naar de gebruiker. Schakel, wanneer u op grindoppervlakken stuit, de gazonmaaier uit door de beugelhandgreep los te laten, en laat het blad tot stilstand komen.
- ◆ Gebruik de gazonmaaier niet zonder dat de volledige grasopvang, het uitwerpschild, de achterste beschermkap en andere veiligheidsvoorzieningen op hun plaats zitten en goed functioneren. Controleer regelmatig dat alle beschermkappen en veiligheidsvoorzieningen in goede staat zijn, dat ze de functie vervullen waarvoor ze zijn bedoeld. Vervang een beschadigde beschermkap of een andere veiligheidsvoorziening die beschadigd is voor u de gazonmaaier weer gebruikt.
- ◆ Laat een ingeschakelde grasmaaier nooit onbeheerd achter.
- ◆ Voor u de grasmaaier reinigt, de grasopvangzak verwijdert, het uitwerpschild vrijmaakt, de grasmaaier onbeheerd achterlaat of aanpassingen, reparaties of inspecties uitvoert, moet u altijd de beugelhandgreep loslaten zodat de gazonmaaier wordt uitgeschakeld en wachten tot het blad tot stilstand is gekomen.
- ◆ Gebruik de gazonmaaier alleen bij daglicht of goed kunstlicht, wanneer voorwerpen op de route van het maaiblad duidelijk zichtbaar zijn voor wie met de gazonmaaier werkt.
- ◆ Werk niet met de gazonmaaier wanneer u onder invloed bent van alcohol of drugs, of wanneer u moe bent of ziek. Blijf altijd goed opletten, kijk wat u doet en gebruik uw gezond verstand.
- ◆ Vermijd gevaarlijke omgevingen. Gebruik de gazonmaaier nooit in vochtig of nat gras en nooit wanneer het regent. Zet altijd uw voeten goed neer, wandel en ren nooit.
- ◆ Laat, als de gazonmaaier ernstig gaat trillen, de handgreep los, wacht tot het blad tot stilstand is gekomen en onderzoek vervolgens onmiddellijk wat de oorzaak van het trillen is. Trillen is over het algemeen een waarschuwing voor problemen. Zie het hoofdstuk Problemen oplossen voor advies in het geval van abnormale trilling.
- ◆ Draag altijd goede bescherming voor uw ogen en luchtwegen wanneer u met de gazonmaaier werkt.
- ◆ Gebruikt u hulpstukken die niet worden aanbevolen voor deze gazonmaaier, dan kan dat leiden tot gevaarlijke situaties. Gebruik uitsluitend accessoires die zijn goedgekeurd door BLACK+DECKER.
- ◆ Reik nooit buiten uw macht tijdens het werken met de gazonmaaier.

Zorg er altijd voor dat u stevig staat en dat u niet uw evenwicht verliest tijdens het werken met de gazonmaaier.

- ◆ Maai dwars over een helling, nooit omhoog en omlaag. Ga zeer voorzichtig te werk wanneer u op een helling van richting verandert.
- ◆ Pas op voor gaten, wielsporen, hobbels, stenen of andere verborgen voorwerpen. Op oneffen terrein kunt u uitglijden en vallen. Hoog gras kan obstakels verbergen.
- ◆ Maai niet op nat gras of al te steile hellingen. Als u niet stevig staat, kunt u uitglijden en vallen.
- ◆ Maai niet in de buurt van taluds, sloten of kades.
U zou kunnen uitglijden of uw evenwicht verliezen.
- ◆ Laat de maaier altijd afkoelen voordat u deze opbergt.

Trek de stekker uit het stopcontact en haal de accu uit de machine. Controleer dat alle bewegende onderdelen volledig tot stilstand zijn gekomen:

- ◆ Wanneer u maar de machine onbeheerd achterlaat;
- ◆ Voordat u een blokkade verwijdt;
- ◆ Voordat u het apparaat controleert, reinigt of werkzaamheden eraan uitvoert.

Veiligheid van anderen

- ◆ Het is niet de bedoeling dat dit apparaat wordt gebruikt door personen (waaronder kinderen) met verminderde fysieke, zintuiglijke of psychische vermogens, of met een

gebrek aan ervaring en kennis, tenzij onder toezicht van of met aanwijzingen over het gebruik van de machine door een persoon die verantwoordelijk is voor hun veiligheid.

- ◆ Er moet toezicht worden gehouden op kinderen zodat zij niet met het apparaat kunnen spelen.
- ◆ Nadat u een vreemd object hebt geraakt. Inspecteer het apparaat op beschadigingen en voer, zo nodig, reparaties uit.

Overige risico's.

Er kunnen zich bij het gebruik van dit gereedschap nog meer risico's voordoen, die mogelijk niet in de bijgesloten veiligheidswaarschuwingen worden beschreven. Deze risico's kunnen zich voordoen door onoordeelkundig gebruik, langdurig gebruik, enz.

Zelfs wanneer de veiligheidsvoorschriften in acht worden genomen en de veiligheidsvoorzieningen worden gebruikt, kunnen bepaalde risico's niet worden uitgesloten. Dit zijn onder meer:

- ◆ Verwondingen die worden veroorzaakt door het aanraken van draaiende of bewegende onderdelen.
- ◆ Verwondingen die worden veroorzaakt bij het vervangen van onderdelen, messen of accessoires.
- ◆ Verwondingen die worden veroorzaakt door langdurig gebruik van gereedschap. Wanneer u langere periodes met gereedschap werkt, kunt u het beste regelmatig een pauze nemen.

- ◆ Gehoorbeschadiging.
- ◆ Gezondheidsrisico's door het inademen van stof dat vrijkomt tijdens het gebruik van uw gereedschap (bijvoorbeeld: het werken met hout, met name eiken, beuken en MDF).
- ◆ Gebruik, als u met de gazonmaaier op een vochtige locatie moet werken, een aardlekschakelaar (Residual Current Device - RCD) met een uitschakelstroom van niet meer dan 30 mA. Het gebruik van een aardlekschakelaar vermindert het risico van een elektrische schok.
- ◆ Til nooit een apparaat op of draag nooit een apparaat terwijl de motor loopt.

Waarschuwingssymbolen

Behalve de datumcode vindt u op de machine de volgende symbolen:



Waarschuwing! Lees de handleiding voordat u met het apparaat gaat werken.



Stel het apparaat niet bloot aan regen of hoge luchtvochtigheid.



Pas op voor de scherpe messen. Nadat u de motor hebt uitgeschakeld, blijven de bladen ronddraaien – Neem de veiligheidssleutel uit voordat u onderhoud uitvoert of als het snoer beschadigd is.



Wees bedacht op voorwerpen die worden weggeslingerd. Houd omstanders uit de buurt van uw werkgebied.



Draag oogbescherming



Nadat u de machine hebt uitgeschakeld, blijven de bladen nog even draaien.



Richtlijn 2000/14/EG gegarandeerd geluidsvermogen.

Aanvullende Veiligheidsinstructies voor accu's en laders

Accu's

- ◆ Probeer nooit om welke reden dan de accu open te maken.
- ◆ Stel de accu niet bloot aan water.
- ◆ Stel de accu niet bloot aan hitte.
- ◆ Bewaar de accu niet op locaties waar de temperatuur kan stijgen tot boven 40 °C.
- ◆ Laad de accu's alleen op bij een omgevingstemperatuur tussen 10 °C en 40 °C.
- ◆ Gebruik alleen de lader die bij het gereedschap/apparaat is geleverd. Het gebruik van de verkeerde lader kan een elektrische schok of oververhitting van de accu tot gevolg hebben.
- ◆ Gooi lege accu's weg volgens de instructies in het gedeelte "Het milieu beschermen".
- ◆ Beschadig/vervorm de accu niet, bijv. door er gaten in te boren of erop te slaan, aangezien dit kan leiden tot letsel en brand.
- ◆ Laad beschadigde accu's niet op.

- ◆ Onder extreme omstandigheden kunnen accu's gaan lekken. Wanneer u merkt dat de accu nat of vochtig is, veeg de vloeistof dan voorzichtig af met een doek. Vermijd huidcontact.
- ◆ Volg bij contact met huid of ogen onderstaande instructies op.

Waarschuwing! De accuvloeistof kan persoonlijk letsel en/of materiële schade veroorzaken. In

het geval van huidcontact moet u de vloeistof direct afspoelen met water.

Raadpleeg uw huisarts als er rode vlekken ontstaan of bij een pijnlijke of geïrriteerde huid. Bij oogcontact moet u de vloeistof direct uitspoelen met water en uw huisarts raadplegen.



Probeer nooit beschadigde accu's op te laden

Lader

De lader is ontworpen voor een bepaalde spanning.

Controleer altijd dat de netspanning overeenkomt met de waarde op het typeplaatje.

Waarschuwing! Probeer nooit de lader te voorzien van een normale netstekker.

- ◆ Gebruik de lader van Black & Decker alleen voor de accu's in het apparaat/ gereedschap waarbij de lader is geleverd. Andere batterijen kunnen openbarsten, met persoonlijk letsel en materiële schade tot gevolg.
- ◆ Niet-oplaadbare accu's mogen nooit worden opgeladen.

- ◆ Als het netsnoer is beschadigd, moet het door de fabrikant of door een geautoriseerd Black & Decker-servicecentrum worden vervangen, zodat gevaarlijke situaties worden voorkomen.
- ◆ Stel de lader niet bloot aan water.
- ◆ Maak de lader niet open.
- ◆ Steek niet met een scherp voorwerp in de lader.
- ◆ Het apparaat/het gereedschap/de accu moet tijdens het laden in een goed geventileerde ruimte worden geplaatst.



De lader is uitsluitend bestemd voor gebruik binnenshuis.



Lees de instructiehandleiding voordat u de lader in gebruik neemt.

Elektrische veiligheid



De lader is dubbel geïsoleerd, en daarom is een aardedraad niet nodig.

Controleer altijd dat de netspanning overeenkomt met de waarde op het typeplaatje. Vervang de lader nooit door een lader met een gewone stekker.

- ◆ Als het netsnoer is beschadigd, moet het door de fabrikant of door een geautoriseerd Black & Decker-servicecentrum worden vervangen, zodat gevaarlijke situaties worden voorkomen.

Functies

Dit apparaat heeft enkele of alle van de volgende functies.

1. Schakelkast
2. Beugelhandgreep
3. Bovenste handgreep
4. Onderste handgreep

5. Bevestigingsknoppen (2) bovenste handgreep
6. Bevestigingspoort (2) onderste handgreep
7. Stelhendel maaihoogte
8. Grasopvangbak
9. Afdekkap achterste opening
10. Draaggrepen

Laadprocedure

BLACK+DECKER-laders zijn ontworpen voor het laden van BLACK+DECKER-accu's.

- ◆ Steek de lader in een geschikt stopcontact voordat u de accu plaatst.
- ◆ Plaats de accu in de lader.



Het groene LED-lampje gaat knipperen ten teken dat de accu wordt opgeladen



Wanneer de accu geheel is opgeladen, blijft het groene lampje ononderbroken branden. De accu is volledig opgeladen en kan nu worden gebruikt of kan in de lader blijven zitten.

Waarschuwing! Laad accu's die leeg zijn zo spoedig mogelijk na gebruik op, omdat anders de levensduur van de accu mogelijk ernstig wordt bekoort.

Diagnose van de accu door de lader

Deze lader is zo ontworpen dat bepaalde problemen die zich kunnen voordoen met accu's of met de stroomvoorziening, kunnen worden gedetecteerd. Problemen worden aangeduid door middel van een LED die in verschillende patronen knippert.

Slechte accu



De lader kan waarnemen of een accu zwak of beschadigd is.

De rode LED knippert in een patroon dat op het label wordt aangeduid. Ziet u het lampje in dit patroon van een slechte accu knipperen, ga dan niet door met het opladen van de accu.

Breng de accu terug naar het servicecentrum of naar een inzamelpunt waar de accu kan worden gerecycled.

Hot/cold pack delay



Wanneer de lader waarneemt dat een accu veel te warm of veel te koud is, wordt

onmiddellijk een Hot/Cold Delay gestart en wordt het laden uitgesteld tot de accu een normale temperatuur heeft bereikt. Zodra dit het geval is, schakelt de lader automatisch over op de stand Accu opladen. Deze functie waarborgt een maximale levensduur van de accu. Het rode LED-lampje knippert in het patroon dat wordt aangeduid op het label wanneer een Hot/Cold Pack Delay wordt gedetecteerd

Belangrijke opmerkingen over laden

- ◆ De langste levensduur en de beste prestaties kunnen worden behaald als de accu wordt opgeladen wanneer de luchttemperatuur is tussen 16° en 27°C.
- ◆ LAAD de accu NIET op bij een luchttemperatuur lager dan +4,5 °C of hoger dan +40,5 °C.
Dit is belangrijk en zal ernstige beschadiging van de accu voorkomen.
- ◆ De lader en de accu's zullen tijdens het laden bij aanraking misschien warm aanvoelen. Dit is normaal en wijst niet op een probleem. Plaats de accu en de lader na gebruik niet in een warme omgeving, zoals een metalen schuur of een niet-geïsoleerde aanhangwagen, laat ze op een koele plaats afkoelen.
- ◆ Als de accu niet goed wordt opgeladen:
 - ◆ Controleer de spanning door een lamp of ander apparaat op het stopcontact aan te sluiten
 - ◆ Controleer of het stopcontact wordt onderbroken door een schakelaar, die het licht uitschakelt en het stopcontact stroomloos maakt.
 - ◆ Breng de lader en de accu naar een plaats waar de lucht/omgevingstemperatuur ongeveer 16° - 27°C is.
 - ◆ Houd het probleem met het laden aan, breng dan het apparaat, de accu en de lader naar het servicecentrum bij u in de buurt.
- ◆ De accu moet worden opgeladen wanneer de accu niet voldoende vermogen levert voor werkzaamheden die eerder zonder veel moeite werden uitgevoerd. WERK NIET LANGER MET HET GEREEDSCHAP in deze toestand. Volg de procedure voor het laden. U kunt ook een gedeeltelijk lege accu opladen, wanneer u dat maar wilt, zonder dat dat negatieve gevolgen heeft voor de accu.
- ◆ Bepaalde materialen die geleidend zijn, zoals, maar niet uitsluitend, staalwol, aluminiumfolie of een opeenhoping van metaalachtige deeltjes, kunnen beter bij de uitsparingen van de lader worden weggehouden. Trek altijd de stekker uit het stopcontact wanneer er geen accu in de uitsparing van de lader zit. Trek de stekker van de lader uit het stopcontact voordat u de lader gaat reinigen.
- ◆ Laat de lader niet bevriezen en dompel de lader niet onder in water of andere vloeistoffen.

Waarschuwing! Laat geen vloeistof in de lader dringen.

PROBEER NOOIT OM WELKE REDEN DAN OOK DE ACCU OPEN TE MAKEN. ALS DE KUNSTSTOF BEHUIZING VAN DE ACCU BREEKT OF SCHEURT, BRENG DE ACCU DAN NAAR EEN SERVICECENTRUM WAAR DEZE KAN WORDEN GERECYCLED.

Laadniveau-indicator van de accu

De accu is voorzien van een laadniveau-indicator. Hiermee kan het actuele laadniveau van de accu in de gazonmaaier en tijdens opladen worden weergegeven.

De indicator geeft geen aanwijzingen over de functionaliteit van het gereedschap en is onderhevig aan schommelingen afhankelijk van productcomponenten, temperatuur en de toepassing door de eindgebruiker.

De laadstatus controleren:

- ◆ Druk op de knop van de laadniveau-indicator (12a).
- ◆ De drie LED-lampjes (12b) gaan branden en geven het percentage van de lading van de accu aan. Zie het schema in afbeelding B.
- ◆ Als er geen LED-lampje brandt, moet u de accu opladen.

De accu plaatsen (afb. C, C1)

- ◆ Maak de accuopening toegankelijk door de kap (14) van de opening op te tillen.
- ◆ Schuif de accu (12) in de accupoort tot deze geheel op z'n plaats zit en u een klik hoort (afbeelding C). Controleer dat de accu geheel op zijn plaats zit en goed is vergrendeld. De BCMW3318 heeft twee accuopeningen, zoals in afbeelding C1 wordt getoond.
- ◆ Sluit de kap van de accupoort. Start de gazonmaaier pas wanneer u hebt gecontroleerd dat de kap volledig is vergrendeld.

Accu's uitnemen:

- ◆ Open de kap (14) van de accupoort, zoals hierboven wordt beschreven.
- ◆ Druk de vrijgaveknop op de accu in en trek de accu uit de machine.

Montage

Waarschuwing! Let er vooral op dat voorafgaand aan de montage de beugelhandgreep is vrijgezet.

De onderste handgreep bevestigen

- ◆ Duw op knop (4a) op de bevestigingspoort (6) van de onderste handgreep en plaats de onderste handgreep (4). Stel de hoogte naar wens af.

NB! Controleer dat elke zijde van de onderste handgreep op hetzelfde hoogte staat.

De bovenste handgreep bevestigen (afb. H)

De bovenste handgreep heeft gaten voor twee verschillende posities, en daarmee kan de lengte van de handgreep op de maaier worden afgesteld.

Met het eerste stel gaten, die zich bijna onderaan de buis van de bovenste handgreep bevinden, kan de handgreep op maximale lengte worden afgesteld. Wanneer u de bovenste montagepositie gebruikt, wordt de handgreep korter

- ◆ Verwijder de bevestigingsknoppen (5) van de bovenste handgreep en de bout (5a) uit de bovenste handgreep.

- ◆ Houd de gaten aan de onderzijde van de bovenste handgreep (3) tegenover de gaten bovenaan de onderste handgreep (4).
- ◆ Schuif vanaf de buitenzijde van de bovenste handgreep (3) de bout door de gaten.
- ◆ Draai de bovenste handgreep in de werkstand.
- ◆ Zet de bevestigingsknoppen (5) van de bovenste handgreep vast.

De kabel van de motor vastzetten (afb. I)

Waarschuwing: Bevestig de kabel zo dat deze niet uittrekt of klem komt te zitten in de handgrepen tijdens gebruik of bij het invouwen. Hierdoor kan het snoer beschadigd raken.

De kabel van de motor moet op de handgrepen worden vastgezet met kabelklemmen die al aan de handgreep zijn bevestigd.

De kabel aan de handgreep klemmen:

- ◆ Plaats de handgrepen in de werkstand, zie hoofdstuk "Onderste handgreep bevestigen".
- ◆ Leid de kabel omhoog langs de voorzijde van de onderste en bovenste handgrepen.
- ◆ Trek de kabelklem terug.
- ◆ Schuif de motorkabel onder de klem en controleer dat de kabel volledig op zijn plaats wordt gehouden door de klem.

Mulchen

Waarschuwing! Neem de sleutel en de accu's uit voordat u het hulpstuk voor zijwaarts uitwerpen en de opvangzak verwijdert en wanneer u het mulch-hulpstuk plaatst.

- ◆ Controleer dat het hulpstuk voor zijwaarts uitwerpen en de opvangzak niet zijn bevestigd.
- ◆ Breng de kap (9) van de achterste opening omhoog en schuif de mulch-inzet geheel op de maaimachine
- ◆ Schakel de maaimachine pas in, wanneer u hebt gecontroleerd dat de kap van de achterste opening volledig sluit.

Bediening

Lees deze instructiehandleiding voordat u de gazonmaaier in gebruik neemt.

Zie "Functies" zodat u weet waar de diverse bedieningsfuncties en afstel mogelijkheden zich bevinden. Bewaar deze handleiding zodat u deze later ook nog kunt raadplegen.

Waarschuwing! Laat de maaimachine op zijn eigen snelheid werken. Overbelast het gereedschap niet.

Waarschuwing! Scherp bewegend blad. Gebruik de gazonmaaier niet in de stand voor zijwaarts uitwerpen of in de mulch-stand, als de achterste opening niet onder veerdruk is gesloten, omdat dit ernstige verwondingen tot gevolg zou kunnen hebben. Breng uw gazonmaaier voor reparatie naar het servicecentrum bij u in de buurt.

Hoogte van de maaimachine afstellen

U kunt de maaihoogte instellen met de stelhendel voor de maaihoogte.

Opmerking: Als u niet zeker weet op welke hoogte u moet maaien, begin dan te maaien met de hoogte-afstelling (7) in de rechter stand.

Stel de hoogte, naar behoefte, naar beneden bij.

De grasopvangzak bevestigen (afb. F, G)

- ◆ Licht afdekcap (9) van de achterste opening op, zoals wordt getoond in afbeelding (F).
- ◆ Plaats de grasopvangbak (8) zo op de maaimachine dat de haken (8a) van de zak, rusten op de nokken (8b), zoals wordt getoond in afbeelding (G). Breng vervolgens de achterste afdekcap omlaag.

De maaimachine starten (afb. H)

Waarschuwing! Scherp bewegend blad. Probeer nooit de werking van deze schakelaar plus de veiligheidsleutel uit te schakelen. Dit kan ernstige verwondingen tot gevolg hebben.

Opmerking: Maaimachine is klaar voor gebruik wanneer de accu of accu's zijn geplaatst.

- ◆ De maaimachine is voorzien van een speciale aan-uit-schakelkast. Duw, wanneer u de maaimachine wilt gebruiken, op de knop (1a) op de schakelkast (1), trek vervolgens de beugelhandgreep (2) naar de handgreep, zoals wordt getoond in afbeelding H. Wanneer de maaimachine start, kunt u de knop loslaten.
- ◆ Wanneer u de maaimachine wilt uitschakelen, hoeft u alleen maar de beugelhandgreep los te laten.

Waarschuwing! Probeer nooit een schakelaar of beugelhandgreep (2) in de ingeschakelde stand te vergrendelen.

Opmerking: Wanneer de handgreep in de oorspronkelijke positie is teruggekeerd, activeert deze het "Automatisch Remsysteem". De motor wordt elektrisch geremd en het maaiblad van de gazonmaaier komt in 3 seconden of minder tot stilstand.

Overbelasting van de maaimachine

Voorkom beschadiging door overbelasting, maai niet te veel gras tegelijkertijd. Ga langzamer maaien of verhoog de maaihoogte.

Opslag

Waarschuwing! Het roterende maaiblad kan ernstige verwondingen veroorzaken.

Schakel de maaimachine uit door de beugelhandgreep (2) los te laten, haal de accu uit de machine en til dan pas de machine op voor het transport en opslag. Berg de machine op een droge plaats op.

Waarschuwing! Voorkom dat u uw vingers klemt, houd uw vingers weg bij de handgrepen wanneer u deze invouwt.

Waarschuwing! Let erop dat u bij het invouwen van de handgrepen het snoer niet uitrekt of afklemt. Hierdoor kan het snoer beschadigd raken. U kunt de handgreep van de maaimachine gemakkelijk invouwen en de machine snel en handig opbergen.

De maaier dragen

- ◆ U kunt de maaier dragen met behulp van de handige draaggrepen (10). **PROBEER NIET** de maaimachine te dragen aan de bovenste handgreep (3) of de onderste handgreep (4).

Maaitips

Waarschuwing! Inspecteer altijd het gebied waar de maaimachine moet worden gebruikt en verwijder alle stenen, takken, draden, hondenkluiven en andere brokstukken die door het roterende maaiblad zouden kunnen worden weggeslingerd.

Waarschuwing! Maai dwars over het vlak van een helling, nooit omhoog en omlaag. Ga zeer voorzichtig te werk wanneer u op een helling van richting verandert. Maai uitzonderlijk steile hellingen niet. Zorg er altijd voordat u stevig staat.

- ◆ Laat de beugelhandgreep los en schakel zo de maaimachine uit wanneer u over grindoppervlakken loopt (de stenen kunnen door het roterende maaiblad worden weggeslingerd).
- ◆ Stel de grasmaaier op de hoogste maaihoogte in wanneer u op een ruwe ondergrond of in hoog onkruid maait. Wanneer u te veel gras tegelijk verwijderd, kan de motor overbelast raken. In dat geval komt de motor tot stilstand. Zie de handleiding Problemen oplossen.
- ◆ Als u een grasopvangzak (8) gebruikt in periodes waarin het gras snel groeit, kan het gras bij de uitwerpopening een verstopping veroorzaken. Laat de beugelhandgreep los en schakel de maaimachine uit, neem vervolgens de veiligheidssleutel uit. Neem de grasopvangbak los en schud het gras tot achterin de zak. Verwijder ook het gras of de rommel die zich misschien rond de uitwerpopening heeft verzameld. Plaats de grasopvangbak weer.
- ◆ Als de machine abnormaal begint te trillen, schakel de machine dan uit door de beugelhandgreep los te laten en neem de veiligheidssleutel uit. Kijk onmiddellijk wat de oorzaak van het trillen is. Trillen is een waarschuwing dat er een probleem is. Gebruik de gazonmaaier pas weer wanneer er een servicecontrole is uitgevoerd. Zie de gids Problemen oplossen in de handleiding.
- ◆ Laat altijd de beugelhandgreep los en schakel de maaimachine uit, wanneer u de machine onbeheerd achterlaat, ook al is het maar voor even.

Tips voor optimale prestaties

- ◆ Ga langzamer op plekken waar het gras zeer lang of dik is.

- ◆ Maai geen gras dat nat is door de regen of doordrenkt van de dauw.
- ◆ Maai uw gazon regelmatig, vooral in perioden dat het gras hard groeit.

Opmerking: U kunt het beste uw maaimachine na gebruik opladen, zodat de accu langer meegaat.

Vaak opladen is niet schadelijk voor uw accu, en maakt dat de accu volledig is opgeladen en klaar is voor de volgende maaibeurt van uw gazon. Wanneer u de accu opbergt terwijl deze niet volledig is opgeladen, zal dat de levensduur van de accu bekorten.

Maaiblad verwijderen en installeren

Waarschuwing! Wanneer u het systeem van maaibladen weer monteert, is het belangrijk dat u ieder onderdeel goed installeert, zoals hieronder wordt beschreven.

Een onjuiste montage van het maaiblad of van andere onderdelen van het systeem van maaibladen kan leiden tot ernstig letsel.

Waarschuwing! Laat de beugelhandgreep los en schakel zo de maaimachine uit, wacht tot het maaiblad tot stilstand is gekomen en neem de accu uit.

- ◆ Zaag een stuk hout van 2x4 (14) (ongeveer 610 mm lang), en plaats dat zo dat het maaiblad niet kan bewegen wanneer u de bout (13) losdraait.
- ◆ Draag handschoenen en geschikte oogbescherming.
- ◆ Draai de maaimachine op z'n zij. Wees voorzichtig met de scherpe randen van het maaiblad. Plaats het stuk hout en draai de bout los met een steeksleutel van 13 mm (36), zoals wordt getoond in afbeelding I.
- ◆ Let goed op hoe ieder onderdeel is gemonteerd. Verwijder de bout (15) en de ring (16). Trek het maaiblad (17) los, zoals wordt getoond in Afbeelding J. Inspecteer alle delen op beschadiging en vervang onderdelen als dat nodig is.
- ◆ Het maaiblad kan maar in één richting op de ventilator (20) worden bevestigd. U monteert het maaiblad weer door het D-vormige gat van het maaiblad tegenover de D-vormige stang van de ventilator te houden, terwijl u erop let dat de tekst op het maaiblad naar de buitenzijde van de maaimachine wijst.
- ◆ U zet het maaiblad vast door het stuk hout te plaatsen zoals in afbeelding K wordt getoond, zodat het maaiblad niet kan draaien. Schuif de bout door de ring en zet de bout met een steeksleutel van 13 mm (13) vast door deze naar rechts te draaien, zoals in Afbeelding K wordt getoond.

Maaimessen slijpen

Houd het maaimes scherp zodat de maaimachine optimaal kan presteren. Een bot maaimes snijdt het gras niet goed af. Draag geschikte oogbescherming wanneer u een maaimes verwijdert, slijpt en installeert. Neem vooral de veiligheidssleutel en de accu uit de maaimachine.

Onder normale omstandigheden is tweemaal slijpen tijdens een maaiseizoen wel voldoende.

Zand zorgt ervoor dat het blad snel bot wordt. Als uw gazon zanderige aarde heeft, zult u het blad misschien vaker moeten slijpen.

Opmerking: Vervang een verbogen of beschadigd maaiblad direct.

Bij het slijpen van het maaiblad:

- ◆ Controleer dat het maaiblad in balans blijft.
- ◆ Slijp het maaiblad onder de oorspronkelijke maaihoek.
- ◆ Slijp de snijkanten aan beide zijden van het maaiblad en verwijder gelijke hoeveelheden materiaal van beide zijden.

Blad slijpen in een bankschroef (afb. L)

- ◆ Verwijder pas het maaiblad, nadat u hebt gecontroleerd dat de beugelhandgreep los is, het maaiblad tot stilstand is gekomen en de accu uit de maaimachine is gehaald.
- ◆ Verwijder het maaiblad van de maaimachine. Zie instructies voor het verwijderen en installeren van het maaiblad.
- ◆ Zet het maaiblad (17) vast in een bankschroef.
- ◆ Draag geschikte oogbescherming en handschoenen en wees voorzichtig dat u zich niet snijdt. Vrij de snijranden van het blad voorzichtig met een fijngetande vijl of een slijpsteen, houd de hoek aan van de oorspronkelijke snijrand. Controleer de balans van het maaiblad. Zie de instructies voor het uitbalanceren van het maaiblad.
- ◆ Plaats het maaiblad weer op de maaimachine en zet het stevig vast.

Blad uitbalanceren

Controleer de balans van het blad (17) door het middengat in het blad op een spijker of de ronde steel van een schroevendraaier te plaatsen die horizontaal in een bankschroef is geklemd. Als een uiteinde van het zaagblad omlaag draait, vijl dan langs de scherpe rand van dat omlaag draaiende gedeelte. Het maaiblad is goed uitgebalanceerd wanneer geen van de uiteinden omlaag draait.

Smering

Smeren is niet nodig. Olie de wielen niet. Ze hebben kunststof lageroppervlakken waar geen smering voor nodig is.

Reiniging

Laat de beugelhandgreep (2) los en schakel zo de maaimachine uit, laat het maaiblad tot stilstand komen. Maak de maaimachine schoon met alleen milde zeep en een vochtige doek. Verwijder grasresten die zich aan de onderzijde van het maaimechanisme hebben verzameld. Controleer na meerdere malen gebruiken dat alle blootstelde bevestigingen nog wel vast zitten.

Roest voorkomen

Meststoffen en andere tuinchemicaliën bevatten stoffen die de roestvorming van metalen sterk versnellen. Als u op plaatsen maait waar meststoffen of andere chemicaliën zijn gebruikt, moet de maaier daarna onmiddellijk als volgt worden gereinigd: Laat de beugelhandgreep (2) los en schakel zo de maaimachine uit, neem de accu uit de machine. Neem alle blootgestelde onderdelen af met een vochtige doek.

Onderhoud

Uw BLACK+DECKER-apparaat/-gereedschap (met netsnoer/snoerloos) is ontworpen om gedurende lange tijd te functioneren met een minimum aan onderhoud. U kunt het gereedschap/het apparaat naar volle tevredenheid blijven gebruiken als u het goed onderhoudt en regelmatig schoonmaakt.

Waarschuwing! Ga als volgt te werk voor u onderhoud aan elektrisch gereedschap met of zonder snoer uitvoert:

- ◆ Schakel het gereedschap/apparaat uit en trek de stekker uit het stopcontact.
- ◆ Of maak de accu, als deze in het apparaat is geïntegreerd, helemaal leeg en schakel vervolgens de machine uit.
- ◆ Trek de stekker van de lader uit het stopcontact voor u de lader schoonmaakt. Behalve regelmatige reiniging vraagt de lader geen onderhoud.
- ◆ Reinig regelmatig de ventilatieopeningen van het gereedschap/apparaat en de lader met een zachte borstel of droge doek.
- ◆ Reinig de behuizing van de motor regelmatig met een vochtige doek. Gebruik niet een schurend schoonmaakmiddel of een schoonmaakmiddel op basis van een oplosmiddel.
- ◆ Verwijder regelmatig met een botte krabber gras en vuil van onder de beschermkap.

Problemen oplossen

Ga te werk volgens onderstaande instructies, als de machine niet goed lijkt te functioneren.

Neem contact op met het BLACK+DECKER-servicecentrum bij u in de buurt, als u het probleem niet kunt verhelpen.

Waarschuwing! Laat voordat u verder gaat, de beugelhandgreep los, wacht tot het maaiblad tot stilstand is gekomen.

Probleem	Mogelijke oplossing
De maaimachine loopt niet wanneer de beugelhandgreep wordt geactiveerd.	Controleer dat de stroomvoorziening van de maaimachine in orde is en dat de knop op de schakelkast volledig is ingedrukt, voordat u aan de beugelhandgreep trekt.
	Laat de beugelhandgreep los en zet zo de maaimachine uit. Neem de accu uit, keer de maaier om en controleer dat het maaiblad vrij kan draaien.
	Controleer dat de accuunit vrij is van vuil en de accu goed is aangesloten. Is de accu volledig opgeladen? Druk op de knop voor het laadniveau.
De motor stopt tijdens het maaien.	Laat de beugelhandgreep los en zet zo de maaimachine uit. Neem de accu uit, keer de maaier om en controleer dat het maaiblad vrij kan draaien.
	Verhoog de maaihoogte van de wielen naar de hoogste positie en start de maaier.
	Controleer dat de accuunit vrij is van vuil en de accu goed is aangesloten. Is de accu volledig opgeladen? Druk op de knop voor het laadniveau
	Overbelast de maaier niet. Ga langzamer maaien of verhoog de maaihoogte.
De maaimachine werkt maar het maaien verloopt niet naar tevredenheid.	Laat de beugelhandgreep los en zet zo de maaimachine uit. Neem de accu uit de machine. Keer de maaier om en controleer: ◆ Het blad op scherpte – houd het blad scherp. ◆ Het maaiemecanisme en de uitwerping op verstoppingen.
	De aanpassing van de wielhoogte kan te laag zijn ingesteld voor de staat van het gras. Verhoog de maaihoogte.
De maaier is moeilijk te duwen.	Laat de beugelhandgreep los en zet zo de maaimachine uit. Neem de accu uit de machine. Verhoog de maaihoogte zodat de wrijving tussen het dek en het gras afneemt. Controleer dat de wielen allemaal vrij kunnen draaien
De maaier maakt meer lawaai dan normaal en trilt.	Laat de beugelhandgreep los en schakel zo de maaimachine uit, neem de accu uit de machine. Draai de maaimachine op z'n kant en controleer het blad zodat u er zeker bent dat het niet gebogen of beschadigd is. Als het blad beschadigd is, vervang het dan door een vervangend maaiblad van BLACK+DECKER. Is de onderzijde van het maaimachine beschadigd, breng dan de maaimachine terug naar een geautoriseerd servicecentrum van BLACK+DECKER.
	Als er geen zichtbare schade aan het blad is en de maaier blijft trillen: ◆ Laat de beugelhandgreep los en schakel zo de maaimachine uit. ◆ Neem de accu uit. ◆ Demonteer het gehele maaiblad zoals beschreven wordt in het hoofdstuk "Maaiblad verwijderen en installeren". ◆ Verwijder alle vuil en maak elk deel schoon. ◆ Plaats elk onderdeel weer zoals beschreven wordt in het hoofdstuk "Maaiblad verwijderen en installeren".
	Als de maaimachine nog steeds trilt, breng de machine dan terug naar een geautoriseerd servicecentrum van BLACK+DECKER.
LED's van de acculader branden niet.	Controleer dat de stekker goed in het stopcontact zit.
	Vervang de lader.
De maaimachine pakt het gemaaid gras niet op.	De uitwerpingen zijn verstopt. Laat de beugelhandgreep los en zet zo de maaimachine uit. Verwijder de accu. Haal het gemaaid gras uit de uitwerpingen.
	Verhoog de maaihoogte van de wielen zodat het gras minder kort wordt gemaaid.
	De zak is vol. Leeg de zak vaker.

Het milieu beschermen



Gescheiden afvalinzameling. Producten en accu's die zijn voorzien van dit symbool mogen niet bij het normale huishoudafval worden weggegooid.

Producten en accu's bevatten materialen die kunnen worden teruggewonnen of gerecycled, wat de vraag naar grondstoffen doet afnemen. Recycle elektrische producten en accu's volgens de ter plaatse geldende bepalingen. Nadere informatie is beschikbaar op www.2helpU.com

Technische gegevens

		BCMW3318	BCMW3336
Spanning	Vdc	18V	36V
Onbelaste snelheid	min ⁻¹	3800RPM	3800RPM
Gewicht	kg	15	15
Bladlengte	cm	33	33

Accu's				Laders (minuten)					
Cat.nr.	Vdc	Ah	Gewicht kg	Cat.nr. Amp	96592287 400mA	N51738P 1A	BDC1A 1A	BDC2A 2A	BDC2A16 1,35A
BL1918	18	1,5	0,38	BL1918	225	90	90	45	X
BL1918ST	18	1,5	0,38	BL1918ST	225	90	90	45	X
BL2018	18	2,0	0,39	BL2018	300	120	120	60	X
BL2018ST	18	2,0	0,39	BL2018ST	300	120	120	60	X
BL2518	18	2,5	0,43	BL2518	380	150	150	75	X
BL4018	18	4,0	0,64	BL4018	600	240	240	120	X
BL5018	18	5,0	0,7	BL5018	750	300	300	135	X
BL2032	36	2,0	0,64	BL2032	X	X	X	X	90
BL2536	36	2,5	0,68	BL2536	X	X	X	X	110
BL1554	18/54	1,5	1,08	BL1554	225	90	90	45	X
BL2554	18/54	2,5	1,2	BL2554	380	150	150	75	X

Waarde gewogen trilling hand/arm:
=<2,5 m/s², onzekerheid (K) = 1,5m/s².

L_{in} (geluidsdruk) 74,5 dB(A)
onzekerheid (K) = 2,5 dB(A)

L_{WA} (geluidsvermogen) 86 dB(A)
onzekerheid (K) = 1,5 dB(A)

EG conformiteitsverklaring RICHTLIJN VOOR MACHINES RICHTLIJN VOOR GELUID BUITENSHUIS



BCMW3318, BCMW3336 gazonmaaier

Black & Decker verklaart hierbij dat de producten die worden beschreven onder "technische gegevens", voldoen aan:
2006/42/EC, EN 60335-1:2012 + A11:2014,
EN 60335-2-77:2010

2000/14/EC, Gazonmaaier, L < 50cm, Bijlage VI,
DEKRA Certification B.V. Meander 1051 / Postbus 5185
6825 MJ ARNHEM / 6802 ED ARNHEM, Nederland
Aangemelde instantie ID Nr.: 0344
Niveau van akoestisch vermogen volgens 2000/14/EG (Artikel
12, bijlage III, L < 50cm):
L_{in} (gemeten geluidsvermogen) 86 dB(A)
onzekerheid (K) = 1,5 dB(A)
L_{WA} (gegarandeerd geluidsvermogen) 96 dB(A)
Deze producten voldoen tevens aan richtlijn 2014/30/EU en
2011/65/EU. Neem voor meer informatie contact op met Black
& Decker op het volgende adres of raadpleeg de achterzijde
van de handleiding.

Ondergetekende is verantwoordelijk voor de samenstelling
van het technische bestand en legt deze verklaring af namens
Black & Decker.

Becky Cotsworth
Director – Outdoor Products Group
Black & Decker Europe, 270 Bath Road, Slough,
Berkshire, SL1 4DX
Verenigd Koninkrijk
11/10/2019

Garantie

Black & Decker heeft vertrouwen in zijn producten en biedt consumenten een garantie van 24 maanden vanaf de aankoopdatum. Deze garantie vormt een aanvulling op uw wettelijke rechten en beperken deze niet. De garantie is geldig op het grondgebied van de Lidstaten van de Europese Unie en de Europese Vrijhandelszone.

Voor een garantie-aanspraak moet uw aanspraak in overeenstemming zijn met de Voorwaarden en Condities van Black&Decker en moet u een bewijs van aankoop overleggen aan de verkoper of aan een geautoriseerde reparatiemonteur. Voorwaarden en condities van de 2-jarige garantie van Black&Decker en het adres van de vestiging van het geautoriseerde reparatiecentrum bij u in de buurt, kunt u vinden op internet op www.2helpU.com, of door contact op te nemen met het Black & Decker-kantoor ter plaatse, op het adres dat in deze handleiding wordt vermeld.

Bezoek onze website www.blackanddecker.nl, waar u uw nieuwe Black & Decker-product kunt registreren en het laatste nieuws vindt over nieuwe producten en speciale aanbiedingen.

Uso previsto

Los cortacéspedes BCMW3318 y BCMW3336 de BLACK+DECKER han sido diseñados para cortar hierba. Estos aparatos han sido concebidos únicamente para uso doméstico.

Instrucciones de seguridad

¡Advertencia! Si utiliza aparatos inalámbricos, es necesario seguir las precauciones de seguridad básicas, incluidas las que se indican a continuación, para reducir el riesgo de incendios, descargas eléctricas, lesiones personales y daños materiales.

¡Advertencia! Cuando utilice el aparato, debe seguir las normas de seguridad. Por su propia seguridad y por la de otras personas, lea estas instrucciones antes de utilizar el aparato. Conserve estas instrucciones para consultarlas en un futuro.

- ◆ Lea todo el manual detenidamente antes de utilizar el aparato.
- ◆ En este manual se describe el uso previsto del aparato. La utilización de accesorios o acoplamientos y la realización de operaciones distintas a las recomendadas en este manual de instrucciones con este aparato pueden conllevar el riesgo de lesiones.
- ◆ Conserve este manual para futuras consultas.

Uso del aparato

Tenga siempre cuidado al utilizar el aparato.

- ◆ Este aparato ha sido concebido para ser utilizado por niños o personas discapacitadas sin supervisión.

- ◆ Este aparato debe usarse como juguete.
- ◆ Evite que los niños y los animales se acerquen a la zona de trabajo y toquen el aparato o el cable de alimentación.
- ◆ Tenga cuidado cuando utilice el aparato cerca de donde se encuentren niños.
- ◆ Utilícelo únicamente en lugares secos. Tenga cuidado de no mojar el aparato. No sumerja el aparato en agua.
- ◆ No abra la carcasa. Este aparato no contiene piezas que puedan ser reparadas por el usuario.
- ◆ No utilice el aparato en atmósferas explosivas, como por ejemplo donde se encuentren líquidos, gases o polvos inflamables.
- ◆ Para reducir el riesgo de dañar los enchufes y los cables, no tire del cable para extraer el enchufe de la toma de corriente.
- ◆ Antes de utilizar este aparato, compruebe siempre que las cuchillas, los pernos de las cuchillas y el conjunto de corte no estén desgastados o dañados. Sustituya las cuchillas y los pernos desgastados o dañados en conjunto para mantener el equilibrio.
- ◆ Para evitar el riesgo debido a reposición involuntaria del protector térmico, este aparato no debe ser alimentado por un dispositivo de conmutación externo, como por ejemplo un temporizador, ni debe conectarse a un circuito que sea

- normalmente encendido y apagado por la utilidad.
- ◆ No utilice el aparato mientras haya personas, especialmente niños, o animales cerca.
 - ◆ Recuerde que el operador o el usuario serán responsables de los accidentes y las situaciones peligrosas que puedan sufrir las personas que se encuentren alrededor o sus propiedades.

Antes de la utilización

- ◆ Cuando utilice el aparato lleve siempre calzado y pantalones largos resistentes. No utilice el aparato si va descalzo o con sandalias. Evite llevar ropa holgada o que tenga cordones o lazos colgantes.
- ◆ Examine a fondo el área donde vaya a utilizar el aparato y retire todos los objetos que el aparato podría expulsar.
- ◆ Antes de utilizar este aparato, compruebe siempre que la cuchilla, el perno de la cuchilla y el montaje de la cuchilla no estén desgastados ni dañados. Sustituya las piezas desgastadas o dañadas por conjuntos para mantener el equilibrio. Sustituya las etiquetas dañadas o ilegibles.

Después de la utilización

- ◆ Cuando el aparato no esté en uso, deberá guardarse en un lugar seco, bien ventilado y lejos del alcance de los niños.
- ◆ Los niños no deben tener acceso a los aparatos guardados.

- ◆ Cuando se guarde o transporte el aparato en un vehículo, deberá colocarse en el maletero o asegurarse para evitar movimientos producidos por cambios repentinos en la velocidad o en la dirección.

Inspecciones y reparaciones

- ◆ Antes de utilizarlo, compruebe que el aparato no contenga piezas dañadas ni defectuosas. Compruebe que no haya piezas rotas, que los interruptores no estén dañados y que no existan otros defectos que puedan afectar al funcionamiento del aparato.
- ◆ No utilice el aparato si presenta alguna pieza dañada o defectuosa.
- ◆ Solicite a un agente autorizado del servicio técnico la reparación o sustitución de las piezas dañadas o defectuosas.
- ◆ Nunca intente extraer ni sustituir ninguna pieza que no esté especificada en este manual.
- ◆ Tenga cuidado cuando ajuste el cortacésped para evitar atraparse los dedos entre las cuchillas o las piezas móviles y las piezas fijas del aparato.
- ◆ Cuando revise las cuchillas tenga cuidado porque, aunque la fuente de alimentación esté desconectada, aún pueden moverse.

Instrucciones de seguridad adicionales para cortacéspedes

- ◆ No transporte la máquina si la fuente de alimentación está en funcionamiento.

- ◆ Cuando utilice el cortacésped, agarre firmemente el manillar con ambas manos.
- ◆ Si en algún momento resulta necesario inclinar el cortacésped, asegúrese de mantener ambas manos en la posición de trabajo mientras el cortacésped se encuentre inclinado. Mantenga ambas manos en la posición de trabajo hasta que el cortacésped vuelva a quedar correctamente colocado en el suelo.
- ◆ No utilice nunca el cortacésped si lleva puestos los auriculares de un dispositivo de radio o de música.
- ◆ Nunca intente ajustar la altura de una rueda con el motor en marcha o con la llave de seguridad dentro de la carcasa del interruptor.
- ◆ Si el cortacésped se detiene, suelte la maneta para apagarlo y espere a que la cuchilla se detenga antes de intentar desatascar el conducto de descarga o retirar algún objeto de debajo de la plataforma.
- ◆ Mantenga las manos y los pies alejados de la zona de corte.
- ◆ Mantenga las cuchillas afiladas. Utilice guantes protectores cuando manipule la cuchilla del cortacésped.
- ◆ Si utiliza el colector de césped, compruebe su estado de manera periódica si se ha desgastado y deteriorado. Si está muy desgastado, por razones de seguridad deberá sustituirlo con un nuevo colector de césped.
- ◆ Extreme las precauciones cuando gire el cortacésped o cuando lo tire en dirección hacia usted.
- ◆ No coloque las manos ni los pies cerca o debajo del cortacésped. Manténgase alejado de la apertura del mecanismo de descarga en todo momento.
- ◆ Limpie el área donde vaya a utilizar el cortacésped de objetos tales como piedras, bastones, cables, juguetes, huesos, etc., ya que podrían salir despedidos cuando la cuchilla pase por encima de ellos. Los objetos golpeados por la cuchilla pueden causar graves lesiones corporales. Manténgase detrás del manillar cuando el motor esté en marcha.
- ◆ No utilice el cortacésped si está descalzo o con sandalias. Lleve siempre un calzado adecuado.
- ◆ No tire del cortacésped hacia atrás si no es absolutamente necesario. Mire siempre abajo y detrás antes y mientras retroceda.
- ◆ Evite que el material descargado se dirija a personas. No descargue el material contra una pared u obstáculo ya que podría rebotar hacia usted. Suelte la maneta para parar el cortacésped y la cuchilla cuando pase por encima de superficies con grava.
- ◆ No utilice la herramienta sin el colector de hierba, el protector de descarga, el protector trasero u otros dispositivos de seguridad colocados y en funcionamiento.

Revise periódicamente todos los protectores y dispositivos de seguridad para comprobar que se encuentran en buen estado, funcionan correctamente y cumplen la función prevista.

Sustituya los protectores o dispositivos de seguridad dañados antes de seguir usando la herramienta.

- ◆ No deje nunca desatendido el cortacésped en funcionamiento.
- ◆ Suelte siempre la maneta para parar el motor y espere a que la cuchilla se detenga por completo antes de limpiar el cortacésped, retirar la bolsa colectora, desatascar el protector de descarga, dejar de utilizar el cortacésped o realizar algún ajuste, reparación o revisión.
- ◆ Utilice el cortacésped únicamente a la luz del día o con iluminación artificial adecuada y cuando los objetos que están en la ruta de la cuchilla sean claramente visibles desde la zona de operación del cortacésped.
- ◆ No utilice el cortacésped si está bajo el efecto del alcohol o las drogas ni cuando esté cansado o enfermo. Esté siempre alerta, mire lo que hace y use el sentido común.
- ◆ Evite los entornos peligrosos. No utilice nunca el cortacésped sobre hierba mojada o húmeda, ni bajo la lluvia. Manténgase en todo momento firmemente apoyado en el suelo y no corra.
- ◆ Si el cortacésped empieza a vibrar de forma anormal, suelte la maneta, espere a que la cuchilla se detenga y controle la causa inmediatamente. La vibración suele indicar la presencia de un problema. Consulte la guía de solución de problemas para obtener indicaciones en caso de que se produzca una vibración anómala.
- ◆ Lleve siempre protección ocular y respiratoria cuando utilice el cortacésped.
- ◆ El uso con cualquier accesorio o acoplamiento no recomendado para este cortacésped puede resultar peligroso. Utilice solamente accesorios aprobados por BLACK+DECKER.
- ◆ Sea precavido cuando utilice el cortacésped. Mantenga un apoyo firme sobre el suelo y conserve el equilibrio en todo momento cuando utilice el cortacésped.
- ◆ Trabaje en sentido transversal a la pendiente, nunca hacia arriba o abajo. Tenga sumo cuidado al cambiar de sentido en las pendientes.
- ◆ Esté atento a los agujeros, los surcos, los baches, las piedras y otros objetos ocultos. Las superficies irregulares pueden provocar resbalones y caídas. El césped alto puede ocultar obstáculos.
- ◆ No utilice el cortacésped sobre el césped húmedo ni en pendientes muy pronunciadas. El uso de calzado poco adecuado puede provocar resbalones y caídas.

- ◆ No utilice el cortacésped cerca de pendientes pronunciadas, acequias o terraplenes. Podría perder el equilibrio o caerse.
- ◆ Deje siempre enfriar el cortacésped antes de guardarlo.

Saque el enchufe de la toma de corriente y saque la batería de la máquina.

Compruebe que las piezas móviles se hayan detenido:

- ◆ Cuando deje sola la máquina.
- ◆ Antes de limpiar una obstrucción.
- ◆ Antes de revisar, limpiar o realizar trabajos en el aparato.

Seguridad de otras personas

- ◆ Este aparato no está destinado al uso por parte de personas (incluyendo los niños) con capacidades físicas, sensoriales o mentales reducidas, o que carezcan de experiencia o del conocimiento necesario, a menos que estén supervisadas o reciban las instrucciones relativas al uso del aparato por una persona encargada de su seguridad.
- ◆ Los niños deben vigilarse en todo momento para asegurarse de que no utilicen el aparato como un juego.
- ◆ Después de golpear un objeto extraño. Controle que el aparato no presente daños y haga las reparaciones necesarias.

Riesgos residuales.

El uso de esta herramienta puede producir riesgos residuales adicionales no incluidos en las advertencias de

seguridad adjuntas. Estos riesgos se pueden generar por un uso incorrecto, demasiado prolongado, etc. El cumplimiento de las normas de seguridad correspondientes y el uso de dispositivos de seguridad no evitan ciertos riesgos residuales. Dichos riesgos incluyen:

- ◆ Lesiones producidas por el contacto con piezas móviles o giratorias.
- ◆ Lesiones causadas al cambiar piezas, cuchillas o accesorios.
- ◆ Lesiones causadas por el uso prolongado de una herramienta. Si utiliza una herramienta durante períodos de tiempo demasiado prolongados, asegúrese de realizar pausas con frecuencia.
- ◆ Deterioro auditivo.
- ◆ Riesgos para la salud causados por la respiración del polvo generado por el uso de la herramienta (por ejemplo, al trabajar con madera, especialmente roble, haya y tablero semiduro de fibras).
- ◆ Si no se puede evitar usar el aparato en un lugar húmedo, use un dispositivo de diferencial residual (DDR) con una corriente de desconexión no superior a 30 mA. El uso de un DDR reduce el riesgo de descarga eléctrica.
- ◆ Nunca levante ni transporte el aparato mientras el motor está en funcionamiento.

Símbolos de advertencia

Junto con el código de la fecha, en la herramienta aparecen los siguientes símbolos:



¡Advertencia! Lea el manual antes de utilizar el aparato.



No exponga el aparato a la lluvia ni a la humedad elevada.



Tenga cuidado con las cuchillas afiladas. Las cuchillas siguen girando después de apagar el motor. Saque el dispositivo de deshabilitación antes de efectuar el mantenimiento o si el cable está dañado.



Tenga cuidado con los objetos que salen volando. Mantenga a otras personas alejadas de la zona de corte.



Póngase protección para los ojos



Una vez apagada la máquina, las cuchillas continuarán girando.



Directiva 2000/14/CE sobre la potencia acústica garantizada.

Instrucciones de seguridad adicionales para baterías y cargadores

Baterías

- ◆ Jamás trate de abrir las baterías por ningún motivo.
- ◆ No exponga la batería al agua.
- ◆ No exponga la batería al calor.
- ◆ No guarde la batería en lugares en los que la temperatura pueda superar los 40 °C.
- ◆ Realice la carga únicamente a una temperatura ambiente de entre 10 °C y 40 °C.
- ◆ Utilice únicamente el cargador suministrado con el aparato o la herramienta para realizar la carga. La utilización de un cargador incorrecto puede producir una descarga eléctrica o el recalentamiento de la batería.
- ◆ Para desechar las baterías, siga las instrucciones facilitadas en la sección “Protección del medio ambiente”.
- ◆ No dañe ni deforme la batería mediante perforaciones o golpes, pues ello puede causar riesgo de incendio y de lesiones.
- ◆ No cargue baterías dañadas.
- ◆ Es posible que se produzcan fugas en las baterías en condiciones extremas. Cuando observe que se producen fugas en el conjunto de la batería, limpie cuidadosamente el líquido con un paño. Evite el contacto con la piel.
- ◆ En caso de contacto con la piel o los ojos, siga las instrucciones facilitadas a continuación.

¡Advertencia! El líquido de la batería puede causar lesiones personales o daños materiales.

En caso de contacto con la piel, lave inmediatamente la zona afectada con agua.

Si se produce enrojecimiento, dolor o irritación, solicite atención médica. En caso de contacto con los ojos, lave la zona inmediatamente con agua limpia y solicite atención médica.



No intente cargar baterías dañadas.

Cargador

El cargador ha sido diseñado para un voltaje específico. Compruebe siempre que el voltaje de la red eléctrica corresponda al valor indicado en la placa de características.

¡Advertencia! No intente sustituir el cargador por un enchufe convencional para la red eléctrica.

- ◆ Debe utilizar solo el cargador Black & Decker suministrado con el aparato/ herramienta para cargar la batería. Otras baterías podrían explotar y provocar lesiones y daños materiales.
- ◆ Nunca intente cargar baterías no recargables.
- ◆ Si se daña el cable de alimentación, deberá sustituirlo el fabricante o un centro del servicio técnico autorizado de Black & Decker, para evitar riesgos.
- ◆ No exponga el cargador al agua.
- ◆ No abra el cargador.
- ◆ No aplique ningún dispositivo para medir la resistencia del cargador.

- ◆ Durante la carga, el aparato, la herramienta o la batería deben colocarse en una zona correctamente ventilada.



El cargador ha sido concebido para utilizarse únicamente en un lugar interior.



Lea el manual de instrucciones antes de usar el producto.

Seguridad eléctrica

El cargador presenta un aislamiento doble; por lo tanto, no requiere conexión a tierra. Compruebe siempre que el voltaje de la red eléctrica corresponda al valor indicado en la placa de características. No intente sustituir el cargador con un enchufe de red normal.

- ◆ Si se daña el cable de alimentación, deberá sustituirlo el fabricante o un centro del servicio técnico autorizado de Black & Decker, para evitar riesgos.

Características

Este aparato incluye una o más de las siguientes características.

1. Caja de interruptor
2. Manillar
3. Manillar superior
4. Manillar inferior
5. Perillas de fijación del manillar superior (2)
6. Orificio de colocación del manillar inferior (2)
7. Palanca de ajuste de altura de corte
8. Bolsa colectora de hierba
9. Tapa puerta trasera
10. Asas de transporte

Procedimiento de carga

Los cargadores BLACK+DECKER han sido diseñados para cargar las baterías BLACK+DECKER.

- ◆ Conecte el cargador a la toma adecuada antes de introducir la batería.
- ◆ Introduzca la batería en el cargador.



El LED indicador de carga verde parpadea para indicar que se está cargando la batería.



Se indicará que la carga ha terminado porque la luz LED verde permanecerá encendida de manera continua. La batería está totalmente cargada y ahora podrá usarla o dejarla en el cargador.

¡Advertencia! Recargue las baterías descargadas tan pronto como sea posible después del uso; de lo contrario, se reducirá su vida útil.

Diagnóstico del cargador

Este cargador ha sido diseñado para detectar algunos problemas que pueden surgir con la batería o la fuente de alimentación. Los problemas se indican a través de un LED parpadeante con diferentes patrones.

Batería arruinada



El cargador puede detectar si la batería está débil o dañada.

El LED rojo parpadea con el patrón indicado en la etiqueta. Si nota este patrón de parpadeo del indicador de fallo de la batería, no siga recargando la batería.

Llévela a un centro de servicios o a un punto de recogida para el reciclaje.

Retardo por batería fría/caliente



Cuando el cargador detecta que la batería está demasiado fría o demasiado

caliente, inicia automáticamente un retardo por batería fría/caliente y suspende la carga hasta que la batería se normalice. Después de esto, el cargador cambia automáticamente al modo de carga de batería. Esta característica le asegura el máximo de vida útil a la batería. El LED rojo parpadea con el patrón indicado en la etiqueta cuando detecta el retardo por batería fría/caliente.

Notas importantes para la carga

- ◆ Se puede conseguir una mayor duración y rendimiento si se carga la batería cuando la temperatura ambiente está entre 60 °F y 80 °F (16 °C y 27 °C).
- ◆ NO cargue la batería cuando la temperatura ambiente sea inferior a +40 °F (+4.5 °C) o superior a +105 °F (+40.5 °C). Esto es importante y prevendrá daños serios a la batería.
- ◆ El cargador y la batería pueden calentarse durante la carga. Esto es normal y no indica ningún problema. Para facilitar el enfriamiento de la batería después del uso, evite colocar el cargador o la batería en un ambiente cálido, como un cobertizo metálico o un remolque sin aislamiento.

- ◆ Si la batería no se carga correctamente:
 - ◆ Enchufe una lámpara u otro aparato para comprobar la corriente de la toma.
 - ◆ Compruebe si la toma está conectada a un interruptor de luz que corta la energía al apagar las luces.
 - ◆ Desplace el cargador y la batería hacia un lugar donde la temperatura ambiente sea de aproximadamente 60°F - 80°F (16 °C - 27°C).
 - ◆ Si el problema de carga persiste, lleve la herramienta, la batería y el cargador a su servicio técnico local.
- ◆ La batería debe recargarse cuando no produce energía suficiente para trabajos que antes se efectuaban fácilmente. NO SIGA usándolo en estas condiciones. Siga el procedimiento de carga. También puede cargar la batería parcialmente usada cuando lo desee, sin ningún efecto adverso para el conjunto de la batería.
- ◆ Los materiales conductores extraños como, a título enunciativo pero no limitativo, lana de acero, papel de aluminio o cualquier acumulación de partículas metálicas deben mantenerse alejados de las cavidades del cargador.
 - Desconecte siempre el cargador de la red cuando el conjunto de la batería no esté colocado en la cavidad. Desconecte el cargador antes de intentar limpiarlo.
 - ◆ No lo congele ni lo sumerja en agua u otros líquidos.

¡Advertencia! No permita que ningún líquido penetre en el cargador.

NO INTENTE NUNCA ABRIR LAS BATERÍAS POR NINGÚN MOTIVO. SI LA CARCASA DE PLÁSTICO DE LA BATERÍA SE ROMPE O SE AGRIETA, LLÉVELA A UN SERVICIO TÉCNICO PARA RECICLARLA.

Indicador del estado de carga de la batería

La batería incluye un indicador del estado de la carga. Puede utilizarse para visualizar el nivel actual de carga de la batería, durante el uso y durante la carga. No indica ninguna funcionalidad de la herramienta y podrá registrar variaciones en función de los componentes del producto, de la temperatura y de la aplicación del usuario final.

Comprobar el estado de carga:

- Pulse el botón del indicador del estado de la carga (12a).
- ◆ Los tres LEDs (12b) se encenderán para indicar el porcentaje de carga de la batería. Consulte el gráfico de la figura B.
- ◆ Si el LED no se enciende, cargue la batería.

Colocación de la batería (Fig. C, C1)

- ◆ Levante la tapa del compartimento de la batería (14) para dejar al descubierto el compartimento de la batería.
- ◆ Deslice la batería (12) en el alojamiento de la batería hasta que quede bien encajada y se oiga un clic (figura C).

Compruebe que el conjunto de la batería quede bien colocado y enganchado en su posición. La unidad BCMW3318 tiene dos puertos de batería como se muestra en la Figura C1.

- ◆ Cierre la tapa del compartimento de la batería. Compruebe que la tapa quede bien enganchada antes de arrancar el cortacésped.

Extracción de baterías:

- ◆ Abra la tapa del compartimento de la batería (14) como se indica arriba.
- ◆ Presione el botón de liberación de la batería de la batería y sáquela de la herramienta.

Montaje

¡Advertencia! Antes de proceder al montaje, compruebe haber soltado la maneta.

Montaje del manillar inferior

- ◆ Presione el botón (4a) del orificio de colocación del manillar inferior (6) e inserte el manillar inferior (4). Ajuste la altura a sus necesidades.

Nota: Compruebe que cada lado del manillar inferior esté colocado a la misma altura.

Colocación del manillar superior (Fig. H)

El manillar superior tiene dos orificios para diferentes posiciones de montaje, para ajustar la longitud del manillar en la plataforma.

El primer conjunto de orificios cerca de la parte inferior del tubo del manillar superior permite obtener la máxima longitud del manillar. Si se usan las posiciones de montaje superior se acorta la longitud del manillar.

- ◆ Retire las perillas de fijación del manillar superior (5) y el perno (5a) del manillar superior.
- ◆ Alinee los orificios de la parte inferior del manillar superior (3) con los orificios de la parte superior del manillar inferior (4).
- ◆ Desde la parte exterior del manillar superior (3), deslice el perno por los orificios.
- ◆ Gire el manillar superior hacia la posición de funcionamiento.
- ◆ Apriete las perillas de fijación del manillar superior (5).

Fijación del cable del motor (Fig. I)

Advertencia: Fije el cable para que no se estire ni se aplaste en las juntas de los manillares durante el uso o cuando lo pliega. Esto puede causar daños al cable.

El cable del motor debe fijarse a los manillares usando los sujetacables que ya están colocados en los manillares.

Para sujetar el cable al manillar:

- ◆ Coloque los manillares en posición de funcionamiento, consulte la sección "Montar el manillar inferior".

- ◆ Levante el cable hasta los manillares inferior y superior.
- ◆ Tire hacia atrás el sujetacable.
- ◆ Deslice el cable del motor debajo de la sujeción y asegúrese de que quede sujeto en su posición con el sujetacable.

Mulching

¡Advertencia! Retire la llave y las baterías antes de quitar el accesorio de descarga lateral y bolsa colectora, y cuando coloque el accesorio de mulching.

- ◆ Compruebe que el accesorio de descarga lateral y la bolsa colectora no estén colocados.
- ◆ Levante la tapa de la puerta trasera (9) y deslice el inserto de mulching a fondo en el cortacésped.
- ◆ Compruebe que la tapa de la puerta trasera esté completamente cerrada antes de encender el cortacésped.

Funcionamiento

Lea el manual de instrucciones antes de utilizar el cortacésped.

Consulte "Características" para familiarizarse con la ubicación de los varios controles y ajustes. Guarde este manual para consultas posteriores.

¡Advertencia! Deje que el cortacésped funcione a su ritmo. No la sobrecargue.

¡Advertencia! Cuchilla móvil afilada. No utilice el cortacésped en modo de descarga lateral o mulching si la puerta trasera no está cerrada con el muelle tenso pues podrían producirse lesiones graves. Para reparar el cortacésped, acuda al centro de asistencia técnica más cercano.

Ajuste de altura del cortacésped

La altura del corte se regula mediante la palanca de ajuste de altura de corte.

Nota: Si no está seguro a qué altura cortar, comience a cortar con la palanca de ajuste de altura (7) en la posición derecha. Ajuste la altura hacia abajo según sea necesario.

Colocación de la bolsa colectora de césped (Fig. F, G)

- ◆ Levante la tapa de la puerta trasera (9) como se muestra en la figura (F).
- ◆ Coloque la bolsa colectora de césped (8) en el cortacésped de modo que los ganchos de la bolsa (8a) queden en las orejetas (8b) como se muestra en la figura (G). Después baje la puerta trasera.

Arrancar el cortacésped (Fig. H)

¡Advertencia! Cuchilla móvil afilada. Nunca intente detener el funcionamiento de esta caja del interruptor pues pueden producirse lesiones graves.

Nota: El cortacésped funciona cuando la batería y las baterías están colocadas.

- ◆ El cortacésped está equipado con una caja de interruptor de encendido-apagado especial. Para usar el cortacésped, pulse el botón (1a) de la caja del interruptor (1) y tire la maneta (2) hacia el manillar como se muestra en la figura H. Una vez que el cortacésped haya arrancado, puede soltar el botón.
- ◆ Para apagar el cortacésped, suelte la maneta.

¡Advertencia! No intente nunca trabar un interruptor o la maneta (2) en la posición de encendido.

Nota: Cuando la maneta vuelve a la posición original, se activa el "mecanismo de freno automático". El motor se frena eléctricamente y la cuchilla del cortacésped deja de girar en 3 segundos o menos.

Sobrecarga del cortacésped

Para evitar daños debidos a condiciones de sobrecarga, no intente sacar demasiada hierba de una vez. Disminuya la velocidad de corte o aumente la altura de corte.

Almacenamiento

¡Advertencia! La cuchilla giratoria puede provocar lesiones graves.

Suelte la maneta (2) para apagar el cortacésped y saque la batería antes de levantar, transportar o almacenar el cortacésped. Guarde el cortacésped en un lugar seco.

¡Advertencia! Para evitar aplastamientos, mantenga los dedos alejados de la parte que está entre los manillares cuando baje los manillares.

¡Advertencia! Asegúrese de que el cable no se estire ni se aplaste en las juntas de los manillares cuando lo pliegue. Esto puede causar daños al cable.

El manillar del cortacésped puede plegarse fácilmente hacia abajo para un almacenamiento fácil y conveniente.

Transporte del cortacésped

- ◆ Es posible transportar el cortacésped usando las asas de transporte correspondientes (10). **NO** intente levantar el cortacésped aferrándolo por el manillar superior (3) o el manillar inferior (4).

Sugerencias para el corte

¡Advertencia! Examine siempre el área donde vaya a utilizar el cortacésped y retire las piedras, palos, alambres, huesos o demás restos que podrían ser expulsados por la cuchilla giratoria.

¡Advertencia! Trabaje en sentido transversal a la pendiente, nunca hacia arriba o abajo. Tenga sumo cuidado al cambiar de sentido en las pendientes. No corte el césped en cuestas demasiado pronunciadas. Permanezca en una posición firme.

- ◆ Suelte la maneta para apagar el cortacésped al cruzar un área cubierta con grava (la cuchilla puede arrojar las piedras).
- ◆ Para cortar el césped en terreno irregulares o con malezas altas, seleccione la máxima altura de corte. Si intenta cortar demasiada cantidad de césped de una vez, es posible que el motor se sobrecargue y se pare. Consulte la guía de solución de problemas.
- ◆ Si en la estación de crecimiento rápido se utiliza la bolsa colectora (8), es posible que la hierba provoque atascos en la abertura de descarga. Suelte la maneta para apagar el cortacésped y retire la llave de seguridad. Extraiga el recogedor y sacúdalo para que el césped caiga hacia el fondo de la bolsa. Limpie el césped y los residuos que se hayan compactado alrededor de la abertura de descarga. Sustituya el recogedor de hierba.
- ◆ Si el cortacésped empieza a vibrar en modo anormal, suelte la maneta para apagar el cortacésped y extraiga la llave de seguridad. Compruebe inmediatamente la causa. La vibración suele indicar la presencia de un problema. No utilice el cortacésped hasta que no se haya realizado una comprobación. Consulte la guía de solución de problemas en el manual.
- ◆ Cada vez que deje de usar el cortacésped, aunque sea durante un periodo de tiempo breve, suelte siempre la maneta para apagarlo.

Consejos por un uso óptimo

- ◆ Reduzca la velocidad en las áreas donde el césped esté demasiado alto o sea demasiado tupido.
- ◆ Evite cortar el césped cuando este esté mojado por la lluvia o impregnado de rocío.
- ◆ Corte el césped a menudo, especialmente durante los periodos de crecimiento rápido.

Nota: Recomendamos recargar la batería después del uso, para prolongar la vida de la batería.

La carga frecuente no daña la batería y asegura que esté completamente cargada y lista para el próximo uso. Guardar la batería no completamente cargada, acorta la vida de la misma.

Montaje y desmontaje de la cuchilla

¡Advertencia! Cuando vuelva a montar el sistema de la cuchilla, compruebe que cada pieza esté correctamente colocada, como se describe abajo.

El montaje incorrecto de la cuchilla o de otras piezas del sistema de la cuchilla puede causar lesiones graves.

¡Advertencia! Suelte la maneta para apagar el cortacésped, espere a que la cuchilla se detenga y desenchufe el cortacésped.

- ◆ Corte un trozo de madera de 2x4 (14) (aprox. 610 mm) para impedir que la cuchilla gire al extraer el perno (13).
- ◆ Utilice guantes y protección ocular adecuada.

- ◆ Voltee el cortacésped sobre uno de los lados. Tenga cuidado con los bordes afilados de la cuchilla. Coloque la madera y desatornille el perno con una llave de 13 mm (36) como se muestra en la figura I.
- ◆ Observe la orientación de cada pieza cuando la extraiga. Saque el perno (15) y la tuerca (16). Saque la cuchilla (17) como se muestra en la Figura J. Examine todas las piezas para comprobar que no tengan daños y sustitúyalas si es necesario.
- ◆ La cuchilla puede colocarse en el ventilador (20) en una sola dirección. Para volver a montar, alinee el agujero en forma de D de la cuchilla con la espiga en D del ventilador, compruebe que la escritura de la cuchilla mire hacia fuera del cortacésped.
- ◆ Para apretar, coloque la pieza de madera como se muestra en la figura K para impedir que la cuchilla gire. Deslice el perno por la arandela y apriete el perno en sentido horario en su posición con la llave de 13 mm (13) como se muestra en la figura K.

Cómo afilar la cuchilla

Para optimizar el rendimiento del cortacésped, mantenga la cuchilla afilada. Una cuchilla desafilada no corta en modo bien definido el césped. Utilice protección ocular apropiada para extraer, afilar e instalar la cuchilla. Compruebe haber retirado la llave de seguridad y la batería.

En situaciones normales, por lo general, es suficiente afilar la cuchilla dos veces durante la temporada de corte.

La arena provoca que la cuchilla se desafilé rápidamente. Si su terreno es de suelo arenoso, es probable sea necesario afilarla con más frecuencia.

Nota: Si la cuchilla está curvada o dañada, reemplácela de inmediato.

Para afilar la cuchilla:

- ◆ Asegúrese de que la cuchilla esté equilibrada.
- ◆ Afile la cuchilla en el ángulo de corte original.
- ◆ Afile los bordes de corte de ambos extremos de la cuchilla sacando la misma cantidad de material de ambos extremos.

Afilar la cuchilla en un tornillo de banco (Fig. L)

- ◆ Asegúrese de haber soltado la maneta, que la cuchilla se haya detenido y el cortacésped esté desenchufado antes de extraer la cuchilla. Saque la cuchilla del cortacésped. Consulte las instrucciones de montaje y desmontaje de la cuchilla.
- ◆ Sujete la cuchilla (17) en un tornillo de banco.
- ◆ Utilice protección ocular adecuada y guantes y tenga cuidado de no cortarse. Lime con cuidado los filos de la cuchilla con una lima fina o una piedra de afilar, conservando siempre el ángulo original del filo.

Compruebe el equilibrio de la cuchilla. Compruebe las instrucciones de equilibrado de la cuchilla.

- ◆ Vuélva a colocar la cuchilla en el cortacésped y apriétela bien

Equilibrado de la cuchilla

Compruebe el equilibrado de la cuchilla (17) colocando el orificio central de la cuchilla en un clavo o en un destornillador de vástago redondo, fijado horizontalmente en un tornillo de banco. Si alguno de los extremos de la cuchilla gira hacia abajo, lime el filo del extremo que cae. La cuchilla está correctamente balanceada cuando no cae ninguno de los extremos.

Lubricación

No es necesario realizar ningún tipo de lubricación. No engrase las ruedas, ya que tienen una superficie de rodamiento plástico que no necesita lubricación.

Limpieza

Suelte la maneta (2) para apagar el cortacésped, espere a que se pare la cuchilla. Para limpiar el cortacésped, utilice únicamente jabón suave y un paño húmedo. Saque los recortes de césped que se hayan acumulado en la parte inferior de la plataforma. Después de haber utilizado la unidad varias veces, revise las sujeciones externas para verificar que estén firmemente ajustadas.

Cómo evitar la corrosión

Los fertilizantes y otros productos químicos de jardinería contienen agentes que aceleran considerablemente la corrosión de los metales. Si utiliza el cortacésped en áreas donde se hayan aplicado fertilizantes u otros productos químicos, límpielo inmediatamente después de finalizar el trabajo como se indica a continuación: Suelte la maneta (2) para apagar el cortacésped y desenchufe el cortacésped. Limpie todas las piezas expuestas con un paño húmedo.

Mantenimiento

Su aparato o herramienta con o sin cable de BLACK+DECKER ha sido diseñada para funcionar durante un largo período de tiempo con un mantenimiento mínimo. El funcionamiento satisfactorio continuado depende de un cuidado apropiado y una limpieza periódica de la herramienta o aparato.

¡Advertencia! Antes de realizar el mantenimiento de herramientas eléctricas con o sin cables:

- ◆ Apague y desenchufe el aparato/herramienta.
- ◆ O bien deje que la batería se agote por completo si es integral, y después apague el aparato.
- ◆ Desenchufe el cargador antes de limpiarlo. El cargador no requiere ningún mantenimiento especial excepto la limpieza periódica.

- ◆ Limpie periódicamente las ranuras de ventilación de la herramienta, el aparato/herramienta y el cargador con un cepillo suave o un paño seco.
- ◆ Limpie periódicamente la carcasa del motor con un paño húmedo. No utilice limpiadores abrasivos o a base de disolventes.
- ◆ Utilice periódicamente un raspador sin filo para eliminar los restos de césped y la suciedad acumulada debajo del protector.

Resolución de problemas

Si nota que el aparato no funciona bien, siga las instrucciones que se indican a continuación.

Si no se resuelve el problema, póngase en contacto con un técnico autorizado de BLACK+DECKER.

¡Advertencia! Antes de empezar, suelte la maneta para apagar el cortacésped y espere a que la cuchilla se detenga.

Problema	Posible solución
El cortacésped no funciona cuando se activa la maneta.	<p>Compruebe que el cortacésped esté bien enchufado y que el botón de la caja del interruptor haya sido pulsado a fondo antes de tirar de la maneta.</p> <p>Suelte la maneta para apagar el cortacésped. Extraiga la batería, voltee el cortacésped y compruebe que la cuchilla gire libremente.</p> <p>Compruebe que el compartimento de la batería esté libre de restos y que la batería esté correctamente conectada.</p> <p>¿La batería está completamente cargada? Pulse el botón del estado de la carga.</p>
El motor se detiene mientras está cortando el césped.	<p>Suelte la maneta para apagar el cortacésped. Extraiga la batería, voltee el cortacésped y compruebe que la cuchilla gire libremente.</p> <p>Eleve la altura de corte de las ruedas a la posición más alta y encienda el cortacésped.</p> <p>Compruebe que el compartimento de la batería esté libre de restos y que la batería esté correctamente conectada.</p> <p>¿La batería está completamente cargada? Pulse el botón del estado de la carga.</p> <p>No sobrecargue el cortacésped. Disminuya la velocidad de corte o aumente la altura de corte.</p>
El cortacésped funciona pero el corte no es satisfactorio.	<p>Suelte la maneta para apagar el cortacésped. Desenchufe el cortacésped. Voltee el cortacésped y compruebe lo siguiente:</p> <ul style="list-style-type: none"> ◆ Que la cuchilla esté afilada. - Manténgala siempre afilada. ◆ Que no haya obstrucciones en la plataforma ni en el conducto de descarga. <p>Es probable que la altura de las ruedas se haya fijado en una posición demasiado baja para el estado del césped. Eleve la altura de corte.</p>
El cortacésped resulta difícil de empujar.	<p>Suelte la maneta para apagar el cortacésped. Desenchufe el cortacésped. Eleve la altura de corte para reducir el rozamiento de la plataforma contra el césped. Compruebe que cada rueda gire libremente.</p>

Problema	Posible solución
El cortacésped produce vibraciones y ruidos inusuales.	<p>Suelte la maneta para apagar el cortacésped y desenchúfelo. Voltee el cortacésped sobre uno de los lados y revise la cuchilla para asegurarse de que no esté curvada o dañada. Si la cuchilla está dañada, sustitúyala por una cuchilla de repuesto BLACK+DECKER. Si la parte inferior de la plataforma está dañada, envíe el cortacésped a un centro de mantenimiento BLACK+DECKER autorizado.</p> <p>Si no hay daños visibles en la cuchilla y el cortacésped todavía vibra:</p> <ul style="list-style-type: none"> ◆ Suelte la maneta para apagar el cortacésped. ◆ Extraiga la batería. ◆ Desmonte el conjunto de la cuchilla en su totalidad como se describe en la sección "Montaje y desmontaje de la cuchilla". ◆ Extraiga todos los restos y limpie cada pieza. ◆ Sustituya cada pieza como se describe en la sección "Montaje y desmontaje de la cuchilla". <p>Si el cortacésped sigue vibrando, envíelo a un centro de mantenimiento BLACK+DECKER autorizado.</p>
Los LEDs del cargador de batería no se encienden.	<p>Compruebe el enchufe de conexión.</p> <p>Sustituya el cargador.</p>
El cortacésped no recoge los recortes en la bolsa.	<p>Conducto obstruido. Suelte la maneta para apagar el cortacésped. Extraiga la batería. Limpie el conducto de recortes de hierba.</p> <p>Eleve la altura de corte de las ruedas para reducir la longitud del corte.</p> <p>Bolsa llena. Vacíe la bolsa con más frecuencia.</p>

Protección del medioambiente



Recogida selectiva. Los productos y las baterías marcadas con este símbolo no se deben eliminar con la basura doméstica normal.

Los productos y las baterías que contienen materiales que se puedan recuperar o reciclar reducen la demanda de materias primas. Recicle los productos eléctricos y las baterías de conformidad con la normativa local. Puede obtener más información en www.2helpU.com

Datos técnicos

		BCM3318	BCM3336
Tensión	Vcc	18V	36V
Velocidad sin carga	min. ⁻¹	3800RPM	3800RPM
Peso	kg	15	15
Longitud de las cuchillas	cm	33	33

Baterías				Cargadores (minutos)					
N.º cat.	Vcc	Ah	Peso kg	N.º cat. Amper 600mA	95592807	N517380*	BDC1A	BDC2A	BDC3A36
BL1518	18	1.5	0.38	BL1518	225	90	90	45	X
BL1518ST	18	1.5	0.38	BL1518ST	225	90	90	45	X
BL2018	18	2.0	0.39	BL2018	300	120	120	60	X
BL2018ST	18	2.0	0.39	BL2018ST	300	120	120	60	X
BL2518	18	2.5	0.43	BL2518	380	150	150	75	X
BL4018	18	4.0	0.64	BL4018	600	240	240	120	X
BL5018	18	5.0	0.7	BL5018	750	300	300	135	X
BL20362	36	2.0	0.64	BL20362	X	X	X	X	90
BL2536	36	2.5	0.68	BL2536	X	X	X	X	110
BL1554	18/54	1.5	1.08	BL1554	225	90	90	45	X
BL2554	18/54	2.5	1.2	BL2554	380	150	150	75	X

Vibraciones soportadas en mano/brazo:
= < 2,5 m/s²; incertidumbre (K) = 1,5m/s².

L_w (presión acústica) 74,5 dB(A)
incertidumbre (K) = 2,5 dB(A)

L_{WA} (potencia acústica) 86 dB (A)
incertidumbre (K) = 1,5 dB(A)

**Declaración de conformidad CE
DIRECTIVA DE MÁQUINAS
DIRECTIVA SOBRE EL RUIDO EXTERIOR**



Cortacésped BCMW3318, BCMW3336

Black & Decker declara que los productos descritos en "datos técnicos" cumplen las siguientes normas:
2006/42/CE, EN 60335-1:2012 + A11:2014,
EN 60335-2-77:2010

2000/14/CE, cortacésped, L < 50 cm, Anexo VI,
DEKRA Certification B.V. Meander 1051 / P.O. Box 5185
6825 MJ ARNHEM / 6802 ED ARNHEM, Países Bajos
N.º de ID del organismo notificado: 0344

Nivel de intensidad acústica de acuerdo con la directiva
2000/14/CE (artículo 12, anexo III, L < 50cm):

L_w (potencia acústica medida) 86 dB(A)
incertidumbre (K) = 1,5 dB(A)

L_w (potencia acústica garantizada) 96 dB(A)

Estos productos también cumplen con las directivas 2014/30/
UE y 2011/65/UE. Para más información, póngase en
contacto con Black & Decker en la siguiente dirección o
consulte la parte posterior del manual.

El abajo firmante es el responsable de la compilación del
archivo técnico y realiza esta declaración en representación
de Black & Decker.

Becky Cotsworth
Director – Grupo de productos para exteriores
Black & Decker Europa, 270 Bath Road, Slough,
Berkshire, SL1 4DX
Reino Unido
11/10/2019

Garantía

Black & Decker confía en la calidad de sus productos y ofrece a los consumidores una garantía de 24 meses a partir de la fecha de compra. Esta garantía es adicional a sus derechos legales y no los menoscaba en modo alguno. La garantía es válida dentro de los territorios de los Estados Miembros de la Unión Europea y del Área de Libre Comercio Europea.

Para reclamar la garantía, la reclamación se debe presentar de conformidad con las condiciones de Black & Decker. Tendrá que adjuntar un justificante de compra al vendedor o al agente técnico autorizado. Las condiciones de la garantía de 2 años de Black & Decker y la ubicación de su agente de servicio técnico autorizado más cercano se pueden obtener en Internet en www.2helpU.com o poniéndose en contacto con su oficina local de Black & Decker en la dirección que se indica en este manual.

Visite nuestro sitio web www.blackanddecker.co.uk para registrar su nuevo producto Black & Decker y recibir noticias sobre nuevos productos y ofertas especiales.

(Tradução das instruções originais)

Utilização pretendida

Os cortadores de relva BCMW3318 e BCMW3336 da BLACK+DECKER foram concebidos para cortar relva. Estas ferramentas destinam-se apenas a utilização doméstica.

Instruções de segurança

Atenção! Ao utilizar equipamentos sem fios, deve sempre cumprir medidas de segurança básicas, incluindo as seguintes, de modo a reduzir os riscos de incêndio, choque eléctrico, danos pessoais e materiais.

Atenção! Ao utilizar a máquina, terá de seguir as regras de segurança. Para sua segurança e das outras pessoas, leia estas instruções antes de utilizar a máquina. Mantenha as instruções em local seguro para futuras consultas.

- ◆ Leia com atenção todo o manual antes de utilizar o equipamento.

- ◆ A utilização prevista está descrita neste manual. A utilização de qualquer acessório ou a execução de qualquer operação com este equipamento que não esteja incluída no presente manual de instruções poderá representar um risco de ferimentos pessoais.
- ◆ Conserve este manual para referência futura.

Utilizar o equipamento

Tenha sempre cuidado quando utilizar este equipamento.

- ◆ Este equipamento não deve ser utilizado por jovens ou pessoas doentes sem supervisão.
- ◆ Este equipamento não deve ser utilizado como um brinquedo.
- ◆ Não permita que crianças ou animais se aproximem da área de trabalho, toquem no equipamento ou no cabo de alimentação.
- ◆ É necessária uma supervisão atenta se o equipamento for utilizado próximo de crianças.
- ◆ Utilize-o apenas num local seco. Não permita que o equipamento fique molhado. Não mergulhe o equipamento em água.
- ◆ Não abra a caixa do equipamento. O equipamento não tem peças no interior que possam ser reparadas pelo utilizador.
- ◆ Não utilize o equipamento em áreas com risco de explosão, nas quais se encontrem líquidos, gases ou poeiras inflamáveis.

- ◆ Para reduzir o risco de danos nas fichas e cabos, nunca puxe o cabo para retirar a ficha de uma tomada.
- ◆ Antes de usar, proceda sempre a uma inspeção visual para verificar se as lâminas, os parafusos da lâmina e o conjunto cortador não estão desgastados ou danificados. Substitua as lâminas e parafusos desgastados ou danificados em conjuntos para manter o equilíbrio.
- ◆ Para evitar acidentes causados pela reposição inadvertida do interruptor térmico, este equipamento não deve ser alimentado por um comutador-interruptor, como, por exemplo, um temporizador, ou ligado a um circuito que seja ligado e desligado regularmente pelo utilizador.
- ◆ Nunca utilize a máquina enquanto estiverem pessoas, em especial, crianças, ou animais nas proximidades.
- ◆ Tenha em atenção que o operador ou o utilizador é responsável por acidentes ou perigos que possam ocorrer a outras pessoas ou propriedade.

Antes da utilização

- ◆ Durante a utilização da máquina, utilize sempre calçado resistente e calças compridas. Não trabalhe com a máquina descalço ou com sandálias. Evite utilizar roupas largas ou com cordões ou laços pendurados.

- ◆ Inspeccione rigorosamente a área em que a máquina vai ser utilizada e retire todos os objectos que possam ser projectados pela máquina.
- ◆ Antes de usar, proceda sempre a uma inspecção visual para verificar se a lâmina, o parafuso da lâmina e o conjunto da lâmina não estão gastos ou danificados. Substitua componentes desgastados ou danificados em conjuntos para manter o equilíbrio. Substitua etiquetas danificadas ou ilegíveis.

Após a utilização

- ◆ Quando não for utilizado, o equipamento deve ser guardado num local seco e com boa ventilação, longe do alcance das crianças.
- ◆ As crianças não devem ter acesso a equipamentos armazenados.
- ◆ Se o equipamento for guardado ou transportado num veículo, deve ser colocado na bagageira ou fixado para evitar qualquer movimento devido a alterações súbitas na velocidade ou direcção.

Inspeção e reparações

- ◆ Antes da utilização verifique se há peças danificadas ou avariadas no equipamento. Verifique se há peças partidas, danos nos interruptores ou outro tipo de situações que possam afectar o funcionamento.
- ◆ Não utilize este equipamento se alguma das peças estiver danificada ou avariada.

- ◆ Mandar reparar ou substituir quaisquer peças danificadas ou avariadas por um agente de reparação autorizado.
- ◆ Nunca tente retirar ou substituir quaisquer peças que não sejam as especificadas neste manual.
- ◆ Tenha cuidado quando ajustar o cortador para evitar que os dedos fiquem presos entre as lâminas/peças em movimento e as peças fixas da máquina.
- ◆ Quando proceder à manutenção das lâminas tenha em atenção que, apesar da fonte de alimentação estar desligada, as lâminas podem deslocar-se.

Instruções de segurança adicionais para cortadores de relva

- ◆ Não transporte a máquina com a fonte de alimentação ligada
- ◆ Segure bem o manípulo com ambas as mãos quando estiver a manobrar o cortador de relva.
- ◆ Se, a qualquer altura, for necessário inclinar o cortador de relva, assegure-se de que ambas as mãos permanecem na posição de funcionamento do equipamento enquanto o cortador estiver inclinado. Mantenha ambas as mãos na posição de funcionamento do equipamento até o cortador de relva voltar a estar correctamente posicionado no chão.
- ◆ Nunca use auscultadores para ouvir rádio ou música enquanto estiver a manobrar o cortador de relva.

- ◆ Nunca tente ajustar a altura da roda enquanto o motor estiver em funcionamento ou se a chave de segurança estiver no caixa do interruptor.
 - ◆ Se o cortador de relva encravar, liberte a barra dos fardos para desligar o cortador, aguarde que a lâmina pare antes de tentar desobstruir o cano ou remover o que estiver abaixo da estrutura.
 - ◆ Mantenha as mãos e os pés afastados da área de corte.
 - ◆ Mantenha as lâminas afiadas. Utilize sempre luvas de protecção durante o manuseamento da lâmina do cortador de relva.
 - ◆ Se estiver a utilizar o colector de relva, verifique regularmente se apresenta sinais de desgaste e deterioração. Se estiver excessivamente usado, substitua-o por um novo colector de relva para sua segurança.
 - ◆ Tenha muita atenção quando estiver a inverter ou a puxar o cortador de relva na sua direcção.
 - ◆ Não coloque as mãos ou pés perto ou sob o cortador de relva. Mantenha-se sempre afastado da abertura de descarga.
 - ◆ Limpe a área onde o cortador de relva vai ser usado. Retire objectos como pedras, paus, cabos, brinquedos, ossos, etc., que poderão ser atirados pela lâmina. Os objectos atirados pela lâmina podem causar ferimentos graves.
- Mantenha-se atrás do manípulo quando o motor estiver ligado.
- ◆ Não trabalhe com o cortador de relva, descalço ou com sandálias. Utilize sempre calçado de segurança.
 - ◆ Não faça andar para trás o cortador de relva, excepto se for absolutamente necessário. Olhe sempre para baixo e para trás antes e quando estiver a deslocar-se para trás.
 - ◆ Nunca direcione os materiais descarregados para as pessoas. Evite descarregar os materiais junto a uma parede ou outro elemento de obstrução. Os materiais poderão fazer ricochete contra o operador. Liberte a barra dos fardos para desligar o cortador de relva e pare a lâmina quando estiver a passar por superfícies com gravilha.
 - ◆ Não trabalhe com o cortador de relva sem o colector de relva completo, protecção de descarga, protecção traseira ou outros dispositivos de segurança montados e a funcionar. Verifique periodicamente todas as protecções e dispositivos de segurança para garantir de que estão em bom funcionamento e de que irão funcionar correctamente e executar a respectiva função prevista. Substitua uma protecção danificada ou outro dispositivo de segurança antes da utilização do equipamento.
 - ◆ Nunca deixe um cortador de relva em funcionamento sem vigilância.

- ◆ Liberte sempre a barra dos fardos para parar o motor e aguarde até a lâmina parar por completo antes de limpar o cortador de relva, remover o saco de relva, desobstruir a protecção de descarga, quando deixar o cortador de relva ou antes de efectuar quaisquer ajustes, reparações ou inspecções.
 - ◆ Utilize o cortador de relva apenas à luz do dia ou com uma boa luz artificial desde que os objectos no percurso da lâmina estejam claramente visíveis na área de funcionamento do cortador de relva.
 - ◆ Não utilize o cortador de relva sob o efeito do álcool ou drogas, ou quando estiver cansado ou doente. Esteja sempre atento, preste atenção ao que está a fazer e tenha bom senso.
 - ◆ Evite ambientes perigosos. Nunca utilize o cortador de relva se a relva estiver húmida ou molhada, nunca utilize o cortador de relva à chuva. Tenha sempre cuidado ao deslocar-se, ande normalmente e nunca corra.
 - ◆ Se o cortador de relva começar a vibrar de maneira invulgar, liberte a barra dos fardos, aguarde que a lâmina pare e, em seguida, verifique imediatamente qual é a causa. A vibração é, geralmente, um sinal de problemas; consulte o guia de resolução de problemas para obter conselhos no caso de ocorrência de vibrações anormais.
 - ◆ Utilize sempre óculos de protecção e uma protecção respiratória adequada quando utilizar o cortador de relva.
 - ◆ A utilização de qualquer acessório não recomendado para a utilização com este cortador de relva pode ser perigosa. Utilize apenas acessórios aprovados pela BLACK+DECKER.
 - ◆ Nunca tente chegar a pontos fora do alcance enquanto estiver a manobrar o cortador de relva. Mantenha-se sempre bem posicionado e equilibrado enquanto estiver a manobrar o cortador de relva.
 - ◆ Corte ao longo dos socacos e nunca em sentido ascendente e descendente. Tenha muito cuidado quando mudar de direcção em declives.
 - ◆ Preste atenção aos buracos, sulcos, solavancos, pedras ou outros objectos escondidos. O terreno irregular pode causar uma derrapagem e uma queda accidental. A relva grande pode ocultar obstáculos.
 - ◆ Não corte relva molhada ou em escarpas acentuadas. O andamento irregular pode causar uma derrapagem e uma queda accidental.
 - ◆ Não corte perto de descidas, valas ou represas. Poderá perder o equilíbrio.
 - ◆ Deixe sempre o cortador arrefecer antes de guardá-lo.
- Retire a ficha da tomada e remova a bateria da máquina. Certifique-se de que todas as peças móveis param por completo:

- ◆ Quando não utilizar a máquina;
- ◆ Antes de limpar um bloqueio;
- ◆ Antes de verificar, limpar ou utilizar o equipamento.

Segurança de terceiros

- ◆ Este equipamento não deve ser utilizado por pessoas (incluindo crianças) com capacidades físicas, sensoriais ou mentais reduzidas ou com falta de experiência e conhecimentos, a menos que sejam acompanhadas ou tenham recebido formação ou instruções sobre a utilização deste equipamento por uma pessoa responsável pela respectiva segurança.
- ◆ Esteja atento às crianças para que não brinquem com o equipamento.
- ◆ Após bater num objecto estranho. Inspeccione se o equipamento apresenta danos e efectue as reparações conforme necessário;

Riscos residuais.

Podem surgir riscos residuais adicionais durante a utilização da ferramenta, que podem não constar nos avisos de segurança incluídos. Estes riscos podem resultar de má utilização, uso prolongado, etc.

Mesmo com o cumprimento dos regulamentos de segurança relevantes e a implementação de dispositivos de segurança, alguns riscos residuais não podem ser evitados. Estes incluem:

- ◆ Ferimentos causados pelo contacto com peças em rotação/movimento.

- ◆ Ferimentos causados durante a substituição de peças, lâminas ou acessórios.
- ◆ Ferimentos causados pela utilização prolongada de uma ferramenta. Se utilizar uma ferramenta durante períodos prolongados, certifique-se de que faz pausas regularmente.
- ◆ Danos auditivos.
- ◆ Problemas de saúde causados pela inalação de poeiras resultantes da utilização da ferramenta (exemplo: trabalhos em madeira, especialmente carvalho, faia e MDF).
- ◆ Se tiver mesmo de utilizar o triturador num local húmido, utilize um dispositivo de corrente residual (DCR) com uma corrente de disparo não superior a 30 mA. A utilização de um DCR reduz o risco de choque eléctrico.
- ◆ Nunca levante ou transporte um equipamento quando o motor estiver em funcionamento.

Símbolos de aviso

Os seguintes símbolos de aviso apresentam os seguintes símbolos de aviso juntamente com o código de data:



Atenção! Antes de utilizar o equipamento, leia o manual.



Não exponha o equipamento a chuva ou humidade elevada.



Esteja atento a lâminas afiadas. As lâminas continuam a rodar após o motor ter sido desligado. Remova o dispositivo de desactivação antes de proceder a tarefas de manutenção ou se o cabo estiver danificado.



Esteja atento à projecção de objectos. Mantenha as pessoas afastadas da área de corte.



Use uma protecção ocular



As lâminas continuarão a rodar após a máquina ter sido desligada.



A potência sonora está em conformidade com a Directiva 2000/14/CE.

Instruções de segurança adicionais para baterias e carregadores

Baterias

- ◆ Nunca tente abrir a bateria, seja qual for o motivo.
- ◆ Não exponha a bateria à água.
- ◆ Não exponha a bateria ao calor.
- ◆ Não armazene em locais onde a temperatura possa exceder os 40 °C.
- ◆ Carregue apenas a temperaturas ambiente entre 10 °C e 40 °C.

- ◆ Carregue apenas com o carregador fornecido com o equipamento/ ferramenta. A utilização do carregador errado pode resultar em choque eléctrico ou sobreaquecimento da bateria.
- ◆ Quando eliminar as baterias, siga as instruções da secção "Protecção do ambiente".
- ◆ Não danifique a bateria por perfuração ou impacto, porque pode causar ferimentos e incêndio.
- ◆ Não carregue baterias danificadas.
- ◆ Em condições extremas, pode ocorrer uma fuga de electrólito nas baterias. Se detetar a fuga de electrólito das baterias, limpe o líquido cuidadosamente com um pano. Evite o contacto com a pele.
- ◆ Em caso de contacto com a pele ou com os olhos, siga as instruções seguintes.

Atenção! O electrólito da bateria pode causar ferimentos ou danos materiais. Em caso de contacto com a pele, enxague imediatamente com água.

Em caso de vermelhidão, dor ou irritação, contacte um médico. Em caso de contacto com os olhos, enxague imediatamente com água limpa e procure ajuda médica.



Não tente carregar baterias danificadas

Carregador

O carregador foi concebido para uma tensão específica.

Verifique sempre se a tensão de alimentação corresponde à tensão indicada na placa sinalética.

Atenção! Nunca tente substituir a unidade do carregador por uma tomada de alimentação normal.

- ◆ Utilize o carregador BLACK+DECKER apenas para carregar a bateria do equipamento/ferramenta com que foi fornecido. Outras baterias podem rebentar, provocando ferimentos e danos.
- ◆ Nunca tente carregar baterias não recarregáveis.
- ◆ Se o cabo de alimentação estiver danificado, deve ser substituído pelo fabricante ou por um centro de assistência autorizado da BLACK+DECKER, para evitar situações de perigo.
- ◆ Não exponha o carregador à água.
- ◆ Não abra o carregador.
- ◆ Não perfure o carregador.
- ◆ O equipamento/ferramenta/bateria deve ser colocada numa área com boa ventilação durante o carregamento.



O carregador deverá ser utilizado apenas em espaços interiores.



Antes da utilização, leia o manual de instruções.

Segurança eléctrica



O carregador tem isolamento duplo. Por esse motivo, não necessita de ligação à terra.

Verifique sempre se a tensão de alimentação corresponde à tensão indicada na placa sinalética. Nunca tente substituir a unidade do carregador por uma tomada de alimentação normal.

- ◆ Se o cabo de alimentação estiver danificado, deve ser substituído pelo fabricante ou por um centro de assistência autorizado da BLACK+DECKER, para evitar situações de perigo.

Componentes

Este equipamento inclui todas ou parte dos seguintes acessórios.

1. Caixa de comutação
2. Pega automotora
3. Manipulo superior
4. Manipulo inferior
5. Alavancas de acessório do manipulo superior (2)
6. Alavanca de acessório do manipulo inferior (2)
7. Alavanca de ajuste da altura de corte
8. Saco de recolha de relva
9. Tampa do compartimento traseiro
10. Manipulos de transporte

Procedimento de carregamento

Os carregadores da BLACK+DECKER são concebidos para carregar baterias da BLACK+DECKER.

- ◆ Ligue o carregador numa tomada adequada antes de inserir a bateria.
- ◆ Insira a bateria no carregador.



O LED verde ficará a piscar, indicando que a bateria está a ser carregada



A conclusão do processo de carregamento é LED verde, que permanece ligado de maneira contínua. A bateria fica totalmente carregada e pode ser utilizada nesta altura ou pode deixá-la no carregador

Atenção! Recarregue as baterias descarregadas assim que possível após a utilização, caso contrário a duração da bateria pode diminuir consideravelmente.

Diagnóstico do carregador

Este carregador foi concebido para detectar determinados problemas que possam surgir com baterias ou a fonte de alimentação.

Os problemas são indicados pela iluminação de um LED intermitente com diferentes padrões.

Problemas na bateria



O carregador permite detectar uma bateria fraca ou danificada.

O LED vermelho pisca com o padrão indicado na etiqueta. Se aparecer este padrão intermitente de problemas na bateria, interrompa o carregamento da bateria.

Entregue-a num centro de assistência ou num local de recolha para reciclagem

Retardação de calor/frio



Quando o carregador detecta que uma bateria está demasiado quente ou fria, inicia automaticamente a retardação de calor/frio, interrompendo o processo de carga até a bateria normalizar.

Em seguida, o carregador muda automaticamente para o modo Carregar a bateria. Esta função assegura a duração máxima da bateria. O LED vermelho pisca no padrão indicado na etiqueta quando a retardação de calor/frio é detectada

Notas importantes sobre carregamento

- ◆ É possível aumentar a duração e o desempenho da bateria se carregá-la quando a temperatura ambiente se situar entre 16 °C e 27 °C.
- ◆ NÃO carregue a bateria se a temperatura ambiente for inferior a +4,5 °C ou superior a +40,5 °C. Isto é importante e impede danos graves na bateria.
- ◆ O carregador e a bateria podem ficar quentes durante o carregamento. Isto é normal e não representa um problema. Para facilitar o arrefecimento da bateria, evite colocar o carregador ou a bateria num local quente, como num barracão metálico ou num reboque não isolado.
- ◆ Se a bateria não carregar correctamente:
 - ◆ Verifique a corrente na tomada, ligando uma lâmpada ou outro equipamento
 - u Verifique se a tomada está ligada a um interruptor de iluminação que se desliga quando desliga as luzes.
 - ◆ Coloque o carregador e a bateria num local onde a temperatura do ar ambiente seja aproximadamente de 16 °- 27 °C.
 - ◆ Se os problemas de carregamento persistirem, leve a ferramenta, a bateria e o carregador para um centro de assistência local.
- ◆ A bateria deve ser recarregada se não fornecer energia suficiente durante trabalhos que tenham sido efectuados facilmente. NÃO CONTINUE a utilizar o equipamento nestas condições. Siga o procedimento de carregamento. Pode também carregar uma bateria parcialmente utilizada sempre que quiser, porque não afecta a bateria.

- ◆ Os materiais estranhos condutores como, por exemplo, mas não limitado a, lâ de aço, folha de alumínio ou qualquer acumulação de partículas metálicas devem ser removidos dos orifícios do carregador. Desligue sempre o carregador da fonte de alimentação quando não estiver inserida uma bateria no respectivo orifício. Desligue o carregador antes de proceder à limpeza.
- ◆ Não congele ou coloque o carregador dentro de água ou de outros líquidos.

Atenção! Não permita a entrada de líquidos no carregador.

NUNCA TENTE ABRIR A BATERIA, SEJA QUAL FOR O MOTIVO. SE A ESTRUTURA DE PLÁSTICO DA BATERIA SE PARTIR OU RACHAR, ENVIE O EQUIPAMENTO PARA UM CENTRO DE ASSISTÊNCIA PARA RECICLAGEM.

Indicador do estado de carga da bateria

A bateria está equipada com um indicador do estado de carga. Este pode ser utilizado para visualizar o nível de carga actual da bateria durante a utilização do cortador de relva e durante o carregamento. Não indica o funcionamento da ferramenta e está sujeito a variações, com base nos componentes do produto, temperatura e aplicação do utilizador final.

Verificar o estado da carga:

- ◆ Pressione o botão do indicador do estado de carga (12a).
- ◆ Os três LED (12b) acendem-se indicando a percentagem de carga na bateria. Consulte o gráfico na Figura B.
- ◆ Se o LED não acender, carregue a bateria.

Colocar baterias (Fig. C, C1)

- ◆ Levante a tampa do compartimento da bateria (14) para ter acesso ao compartimento da bateria.
- ◆ Deslize a bateria (12) para dentro do compartimento da bateria até ficar totalmente encaixada e ouvir um clique (Figura C).
Certifique-se de que a bateria está totalmente encaixada na posição. A unidade BCMW3318 tem dois compartimentos de bateria, como indicado na Figura C1.
- ◆ Feche a tampa do compartimento da bateria. Certifique-se de que a tampa fica totalmente encaixada antes de ligar o cortador.

Retirar as baterias:

- ◆ Abra a tampa do compartimento da bateria (14), tal como descrito acima.
- ◆ Pressione o botão de libertação da bateria e puxe a bateria para fora da ferramenta.

Montagem

Atenção! Antes da montagem, certifique-se de que a pega automotora está libertada.

Fixar o manipulador inferior

- ◆ Pressione o botão (4a) na alavanca de acessório do manipulador inferior (6) e insira o manipulador inferior (4). Regule a altura conforme necessário.

Nota! Certifique-se de que cada lado do manipulador inferior está regulado para a mesma altura.

Fixar o manipulador superior (Fig. H)

O manipulador superior tem dois orifícios de posição de montagem para ajustar o comprimento do manipulador a partir da estrutura.

O primeiro conjunto de orifícios perto da parte inferior do tubo do manipulador superior permite ter acesso ao comprimento máximo do manipulador. Utilizar a posição de montagem superior reduz o comprimento do manipulador

- ◆ Retire as alavancas de acessório do manipulador superior (5) e o parafuso (5a) do manipulador superior.
- ◆ Alinhe os furos na parte inferior do manipulador superior (3) com os furos na parte superior do manipulador inferior (4).
- ◆ A partir da parte exterior do manipulador superior (3), deslize o parafuso de alavanca através dos furos.
- ◆ Rode o manipulador superior para a posição de funcionamento.
- ◆ Aperte as alavancas de acessório do manipulador superior (5).

Fixar o cabo do motor (Fig. I)

Atenção! Monte o cabo de modo a não ficar esticado ou dobrado nas uniões dos manipuladores durante a utilização ou dobragem. Isto pode causar danos no cabo.

O cabo do motor tem de ser fixado nos manipuladores utilizando as abraçadeiras que já estão afixadas no manipulador.

Para encaixar o cabo no manipulador:

- ◆ Coloque os manipuladores na posição de funcionamento, consulte a secção "Fixar o manipulador inferior".
- ◆ Passe o cabo à frente dos manipuladores inferior e superior.
- ◆ Puxe a abraçadeira para trás.
- ◆ Deslize o cabo do motor por baixo do clipe e certifique-se de que fica totalmente preso com a abraçadeira.

Palhagem

Atenção! Retire a chave e as baterias antes de retirar o acessório de descarga lateral e o saco de recolha e quando instalar o acessório de palhagem.

- ◆ Assegure-se que o acessório de descarga lateral e o saco de recolha não estão montados.
- ◆ Levante a tampa do compartimento da porta traseira (9) e encaixe o acessório de palhagem totalmente dentro do cortador
- ◆ Assegure-se que a tampa da porta traseira fecha por completo antes de ligar o cortador.

Funcionamento

Leia este manual de instruções antes de utilizar o cortador de relva.

Consulte "Componentes" para familiarizar-se com a localização dos vários controlos e ajustes. Guarde este manual para referência futura.

Atenção! Não altere o ritmo de funcionamento do cortador de relva. Não sobrecarregue.

Atenção! Lâmina afiada em movimento. Não utilize o cortador de relva no modo de palhagem ou descarga lateral se a porta traseira não se encontrar fechada sob tensão de molas, dado que poderão ocorrer lesões graves. Leve o cortador de relva para o centro de assistência mais próximo para reparação.

Ajustar a altura do cortador

A altura do corte é ajustada pela alavanca de ajuste da altura de corte.

Nota: Se não tiver a certeza qual é a altura de corte que deve utilizar, comece a cortar com a alavanca de ajuste da altura (7) na posição correcta.

Regule a altura, conforme necessário.

Encaixar o saco de recolha de relva (Fig. F, G)

- ◆ Levante a tampa do compartimento traseiro (9), como indicado na Figura (F).
- ◆ Coloque o saco de recolha de relva (8) no cortador de relva de modo a que os ganchos do saco (8a) fiquem encaixados nas presilhas (8b), como indicado na Figura (G). Em seguida, baixe o compartimento traseiro.

Ligar o cortador (Fig. H)

Atenção! Lâmina afiada em movimento. Nunca tente sobrepor-se ao funcionamento deste sistema de interruptor, dado que tal pode resultar em lesões graves.

Nota: O cortador de relva fica operacional quando a bateria ou baterias são instaladas.

- ◆ O cortador está equipado com uma caixa de comutação especial. Para utilizar o cortador de relva, pressione o botão (1a) na caixa de comutação (1) e depois puxe a pega automotora (2) na direcção do punho, como indicado na Figura H. Quando o cortador de relva arrancar, liberte o botão.
- ◆ Para desligar o cortador de relva, basta libertar a pega automotora.

Atenção! Nunca tente bloquear um interruptor de ligação ou uma pega automotora (2) na posição de ligado.

Nota: Quando a pega automotora voltar à posição original activará o "Mecanismo de travão automático". O motor é electricamente travado e a lâmina do cortador de relva parará a rotação em 3 segundos ou menos.

Sobrecarga do cortador de relva

Para evitar danos causados por sobrecarga, não retire demasiada relva de uma só vez. Diminua a velocidade de corte ou eleve a altura de corte.

Armazenamento

Atenção! A lâmina rotacional pode causar lesões graves. Liberte a pega automotora (2) para desligar o cortador, retire a bateria antes de levantar, transportar ou armazenar o cortador. Guarde num local seco.

Atenção! Para evitar que os dedos fiquem entalados, mantenha-os afastados da área entre os manípulos quando os dobrar.

Atenção! Certifique-se de que o cabo não fica esticado ou dobrado nas uniões dos manípulos durante a dobragem. Isto pode causar danos no cabo. O manípulo do cortador de relva pode ser facilmente dobrado para baixo para um armazenamento rápido e prático.

Transportar o cortador

- ◆ O cortador deve ser transportado com os manípulos de transporte adequados (10). **NÃO** levante o cortador de relva segurando-o pelo manípulo superior (3) ou pelo manípulo inferior (4).

Dicas de corte

Atenção! Inspeccione sempre a área onde o cortador de relva vai ser utilizado e remova todas as pedras, paus, cabos, ossos e outros detritos que poderão ser atirados pela lâmina em rotação.

Atenção! Corte ao longo dos socacos e nunca em sentido ascendente e descendente. Tenha muito cuidado quando mudar de direcção em declives. Não corte excessivamente em declives acentuados. Mantenha sempre um bom apoio com os pés.

- ◆ Liberte a pega automotora para desligar o cortador de relva quando atravessar uma área com gravilha (dado que as pedras podem ser atiradas pela lâmina).
- ◆ Ajuste o cortador de relva para a altura de corte mais elevada quando cortar em solo duro ou em ervas altas. A remoção de demasiada relva de uma só vez poderá causar sobrecarga do motor, o que irá fazer com que pare. Consulte o guia de resolução de problemas.
- ◆ Se o saco de recolha de relva (8) for utilizado durante a época de crescimento rápido, a relva pode obstruir a abertura de descarga. Liberte a pega automotora para desligar o cortador de relva e remova a chave de segurança. Remova a caixa de aparas e abane a relva de modo a que esta fique no fundo do saco. Limpe também qualquer relva ou detritos que poderão ficar comprimidos em volta da abertura de descarga. Volte a colocar a caixa de aparas.

- ◆ Se o cortador começar a vibrar de maneira anormal, liberte a pega automotora para desligar o cortador e retire a chave de segurança. Verifique de imediato qual é a causa. A vibração é um aviso de problemas. Não utilize o cortador de relva até ser efectuada uma verificação pela assistência técnica. Consulte o guia de resolução de problemas no manual.
- ◆ Liberte sempre a pega automotora para desligar o cortador de relva quando o deixar sem vigilância, mesmo que seja durante um curto período de tempo.

Sugestões para um desempenho óptimo

- ◆ Diminua a velocidade em áreas nas quais a relva seja especialmente longa ou grossa.
- ◆ Evite cortar relva quando a relva estiver molhada, devido à chuva ou ao orvalho.
- ◆ Corte o relvado frequentemente, especialmente durante períodos de crescimento elevado.

Nota: É recomendável recarregar o cortador depois de o utilizar, para prolongar a duração da bateria.

Um carregamento frequente não afecta a bateria e garante que fica totalmente carregada e pronta para a utilização seguinte. Se a bateria não ficar totalmente carregada, isso diminui a duração da bateria.

Retirar e instalar a lâmina

Atenção! Quando voltar a montar o sistema da lâmina, certifique-se de que cada peça é instalada de novo correctamente, como descrito abaixo.

A montagem incorrecta da lâmina ou de outras peças do sistema da lâmina pode causar ferimentos graves.

Atenção! Liberte a pega automotora para desligar o cortador de relva, aguarde até a lâmina parar e desligue o cortador de relva.

- ◆ Corte um pedaço de madeira de 2x4 (14) (cerca de 610 mm) para impedir que a lâmina rode durante a remoção do parafuso (13).
- ◆ Utilize luvas e protecção adequada para os olhos.
- ◆ Vire o cortador de lado. Tenha cuidado com as extremidades afiadas da lâmina. Posicione a madeira e desaperte o parafuso com uma chave de 13 mm (36), como indicado na Figura I.
- ◆ Tenha em atenção a orientação de cada parte à medida que removê-las. Retire o parafuso (15) e a anilha (16). Retire a lâmina (17), como indicado na Fig. J. Verifique se alguma peça apresenta danos e substitua-a, se necessário.
- ◆ A lâmina só pode ser instalada na ventoinha (20) numa única direcção. Para voltar a montar, alinhe o furo em forma de D da lâmina com o lado em forma de D da ventoinha, certificando-se que a inscrição na lâmina fique virada para fora do cortador.

- ◆ Para apertar com firmeza, posicione o pedaço de madeira como indicado na Figura K para impedir o movimento da lâmina. Deslize o parafuso através da anilha e aperte o parafuso para a direita com uma chave de 13 mm (13), como indicado na Figura K.

Afiar a lâmina

Mantenha a lâmina afiada para obter o melhor desempenho do cortador de relva. Uma lâmina embotada não corta relva de forma limpa. Utilize protecção adequada para os olhos durante a remoção, afiação e instalação da lâmina. Certifique-se de que retira a chave de segurança e a bateria.

Afiar a lâmina duas vezes durante a época de corte é normalmente suficiente, sob circunstâncias normais.

A areia leva a que a lâmina fique embotada rapidamente. Se o relvado possuir um solo arenoso poderá ser necessária afiação mais frequente.

Nota: Substitua, de imediato, lâminas dobradas ou danificadas.

Durante a afiação da lâmina:

- ◆ Certifique-se de que a lâmina permanece equilibrada.
- ◆ Afie a lâmina no ângulo de corte original.
- ◆ Afie as arestas de corte em ambas as extremidades da lâmina, removendo quantidades de material iguais de ambas as extremidades.

Afiar a lâmina num torno (Fig. L)

- ◆ Antes de retirar a lâmina, assegure-se que a pega automotora é libertada, a lâmina pára e que desliga o cortador de relva.
- ◆ Retire a lâmina do cortador de relva. Consulte as instruções sobre como remover e instalar a lâmina.
- ◆ Fixe a lâmina (17) num torno.
- ◆ Use uma protecção adequada para olhos e luvas e tenha cuidado para não cortar-se.
Lime, com cuidado, as arestas de corte da lâmina com uma lima fina ou uma pedra de amolar, mantendo o ângulo da aresta de corte original.
Verifique o equilíbrio da lâmina. Consulte as instruções sobre como equilibrar a lâmina.
- ◆ Volte a instalar a lâmina no cortador e aperte-a com firmeza.

Equilíbrio da lâmina

Verifique o equilíbrio da lâmina (17) colocando o orifício central da lâmina sobre um prego ou numa aparafusadora redonda, fixada horizontalmente num torno. Se alguma das extremidades da lâmina rodar para baixo, lime a aresta afiada do lado que estiver inclinado para baixo. A lâmina está equilibrada correctamente quando nenhuma das extremidades pender.

Lubrificação

Não é necessária qualquer lubrificação. Não coloque óleo nas rodas. Estas possuem superfícies de plástico que não requerem lubrificação.

Limpeza

Liberte a pega automotora (2) para desligar o cortador, aguarde até a lâmina parar. Utilize apenas sabão neutro e um pano húmido para limpar o cortador. Limpe quaisquer aparas que possam ter ficado acumuladas na parte inferior da estrutura. Após várias utilizações, verifique todos os fixadores expostos relativamente ao aperto.

Prevenir a corrosão

Os fertilizantes e outros químicos de jardinagem contêm agentes que aceleram bastante a corrosão de metais. Se cortar em áreas nas quais tenham sido utilizados fertilizantes ou químicos, o cortador deve ser limpo imediatamente a seguir, da forma que se segue: Liberte a pega automotora (2) para desligar o cortador de relva e retire a ficha da tomada. Limpe todas as partes expostas com um pano húmido.

Manutenção

O seu equipamento/ferramenta com/sem fios BLACK+DECKER foi concebido para funcionar durante muito tempo, com um mínimo de manutenção. O funcionamento contínuo e satisfatório depende de uma manutenção adequada e limpeza regular da ferramenta/equipamento.

Atenção! Antes de proceder a qualquer ação de manutenção em ferramentas eléctricas com cabo/sem fios:

- ◆ Desligue o equipamento/ferramenta e retire a respectiva ficha da tomada.
- ◆ Pode também deixar a bateria descarregar por completo se estiver incorporada e, em seguida, desligue-a.
- ◆ Desligue o carregador antes de limpá-lo. O seu carregador não necessita de manutenção para além da limpeza regular.
- ◆ Limpe regularmente as ranhuras de ventilação da ferramenta/equipamento e do carregador com uma escova suave ou um pano seco.
- ◆ Limpe regularmente o compartimento do motor com um pano húmido. Não utilize produtos de limpeza abrasivos ou à base de dissolventes.
- ◆ Utilize regularmente uma raspadeira para remover relva e sujidade da parte inferior da protecção.

Resolução de problemas

Se achar que o equipamento não está a funcionar correctamente, respeite as instruções apresentadas em seguida.

Se não conseguir resolver o problema, contacte o técnico local de reparação BLACK+DECKER.

Atenção! Antes de prosseguir, liberte a barra dos fardos para desligar o cortador de relva, aguarde até a lâmina parar.

Problema	Possível solução
O cortador não funciona quando a pega automotora é activada.	<p>Certifique-se de que o cortador de relva está devidamente ligado e que premiu totalmente o botão na caixa de comutação antes de puxar a pega automotora.</p> <p>Liberte a pega automotora para desligar o cortador. Remova a bateria, vire o cortador ao contrário e verifique se a lâmina roda livremente.</p> <p>Verifique se a cavidade da bateria se encontra isenta de detritos e correctamente ligada.</p> <p>A bateria foi completamente carregada? Pressione o botão do estado de carga.</p>
O motor pára durante o corte.	<p>Liberte a pega automotora para desligar o cortador. Retire a bateria, volte o cortador de relva ao contrário e assegure-se que a lâmina roda livremente.</p> <p>Eleve a altura de corte das rodas para a posição mais elevada e ligue o cortador.</p> <p>Verifique se a cavidade da bateria se encontra isenta de detritos e correctamente ligada.</p> <p>A bateria foi completamente carregada? Pressione o botão do estado de carga.</p> <p>Evite sobrecarregar o cortador. Diminua a velocidade de corte ou eleve a altura de corte.</p>
O cortador de relva funciona, mas o desempenho de corte não é satisfatório.	<p>Liberte a pega automotora para desligar o cortador. Desligue o cortador de relva. Volte o cortador ao contrário e verifique:</p> <ul style="list-style-type: none"> ◆ A afiação da lâmina - mantenha a lâmina afiada. ◆ A estrutura e o cano de descarga relativamente a obstruções. <p>O ajuste de altura das rodas poderá estar definido demasiado baixo para as condições da relva. Eleve a altura de corte.</p>
É excessivamente difícil empurrar o cortador.	<p>Liberte a pega automotora para desligar o cortador. Desligue o cortador de relva. Eleve a altura de corte para reduzir o efeito de arrastamento da estrutura na relva. Verifique se todas as rodas giram livremente</p>
O cortador emite ruído e vibração anormais.	<p>Liberte a pega automotora para desligar o cortador de relva. Retire a ficha. Coloque o cortador de lado e verifique a lâmina de modo a certificar-se de que não está dobrada ou danificada. Se a lâmina se encontrar danificada, substitua-a por uma lâmina de substituição da BLACK+DECKER. Se a parte inferior da estrutura se encontrar danificada, leve-o a um centro de assistência autorizado da BLACK+DECKER.</p> <p>Se não existirem danos visíveis na lâmina e o cortador continuar a vibrar:</p> <ul style="list-style-type: none"> ◆ Liberte a pega automotora para desligar o cortador. ◆ Retire a bateria. ◆ Desmonte o conjunto da lâmina por completo, como descrito na secção "Retirar e instalar a lâmina". ◆ Retire todos os resíduos e limpe cada peça. ◆ Volte a montar todas as peças, como descrito na secção "Retirar e instalar a lâmina". <p>Se o cortador continuar a vibrar, leve-o a um centro de assistência autorizado da BLACK+DECKER.</p>
Os LED do carregador não acendem.	<p>Verifique se a ficha está ligada.</p> <p>Volte a ligar o carregador.</p>

Problema	Possível solução
O cortador não aspira aparas com o saco.	<p>Cano obstruído. Liberte a pega automotora para desligar o cortador. Retire a bateria. Elimine as aparas de relva no cano.</p> <p>Eleve a altura de corte das rodas para diminuir o comprimento do corte.</p> <p>Saco cheio. Esvazie o saco com maior frequência.</p>

Protecção do ambiente



Faça uma recolha de lixo seletiva. Os produtos e baterias assinalados com este símbolo não devem ser eliminados em conjunto com resíduos domésticos normais.

Os produtos e baterias contêm materiais que podem ser recuperados ou reciclados, reduzindo a necessidade de matérias-primas. Recicle os produtos eléctricos e as baterias de acordo com as disposições locais. Estão disponíveis mais informações em www.2helpU.com

Dados técnicos

		BCMW3318	BCMW3336
Tensão	V CC	18 V	36V
Velocidade sem carga	min. ⁻¹	3800 RPM	3800 RPM
Peso	kg	15	15
Comprimento da lâmina	cm	33	33

Baterias				Carregadores (minutos)					
N.º cat.	V CC	Ah	Peso, kg	N.º cat.	90595287*	N517389*	BDC1A	BDC5A	BDC2A38
				Ampa	400 mA	1 A	1 A	2A	1,35A
BL1518	18	1,5	0,38	BL1518	225	90	90	45	X
BL1518BT	18	1,5	0,38	BL1518BT	225	90	90	45	X
BL2018	18	2,0	0,39	BL2018	300	120	120	60	X
BL2018BT	18	2,0	0,39	BL2018BT	300	120	120	60	X
BL2518	18	2,5	0,43	BL2518	380	150	150	75	X
BL4018	18	4,0	0,64	BL4018	600	240	240	120	X
BL5018	18	5,0	0,7	BL5018	750	300	300	135	X
BL20362	36	2,0	0,64	BL20362	X	X	X	X	90
BL2536	36	2,5	0,68	BL2536	X	X	X	X	110
BL1554	18/54	1,5	1,08	BL1554	225	90	90	45	X
BL2554	18/54	2,5	1,2	BL2554	380	150	150	75	X

Vibração medida da mão/do braço:
= <2,5 m/s², imprecisão (K) = 1,5m/s².

L_m (pressão acústica) 74,5 dB(A)
imprecisão (K) = 2,5 dB (A)

L_{WA} (potência acústica) 86 dB(A)
imprecisão (K) = 1,5 dB (A)

Declaração de conformidade CE
DIRECTIVA “MÁQUINAS”
DIRECTIVA SOBRE RUIDO EXTERIOR



Cortador de relva BCMW3318, BCMW3336

A Black & Decker declara que os produtos descritos nos
“dados técnicos” estão em conformidade com:

2006/42/CE, EN 60335-1:2012 + A11:2014,
EN 60335-2-77:2010

2000/14/CE, Cortador de Relva, L < 50cm, Anexo VI,
Certificação DEKRA B.V. Meander 1051/P.O. Box 5185
6825 MJ ARNHEM/6802 ED ARNHEM, Holanda

N.º de ID do Organismo Notificado: 0344

Nível de potência acústica de acordo com a norma 2000/14/
E(Artigo 12, Anexo III, L < 50 cm):

L_{wa} (potência acústica medida) 86 dB(A)
imprecisão (K) = 1,5 dB (A)

L_{wA} (potência sonora garantida) 96 dB(A)

Estes produtos respeitam também as directivas 2014/30/UE,
2011/65/UE. Para obter mais informações, contacte a Black
& Decker através do endereço seguinte ou consulte o verso
do manual.

O signatário é responsável pela compilação do ficheiro
técnico e efetua esta declaração em nome da Black & Decker.

Becky Cotsworth
Directora – Grupo de produtos para exteriores
Black & Decker Europe, 270 Bath Road, Slough,
Berkshire, SL1 4DX
Reino Unido
11/10/2019

Garantia

A Black & Decker confia na qualidade dos seus produtos e oferece aos clientes uma garantia de 24 meses a partir da data de compra. Esta garantia⁷⁵ é um complemento dos seus direitos estabelecidos por lei, não os prejudicando de forma alguma. A garantia é válida nos Estados-membros da União Europeia e nos países-membros da Zona Europeia de Comércio Livre.

Para acionar a garantia, esta deve estar em conformidade com os termos e condições da Black&Decker e terá de apresentar o comprovativo de compra ao vendedor ou a um técnico de reparação autorizado.

Os termos e condições da garantia de 2 anos da Black&Decker e a localização do agente de reparação autorizado mais próximo podem ser obtidos na Internet em www.2helpU.com ou pode contactar uma filial da Black & Decker, cuja morada está indicada neste manual. Visite o nosso Website www.blackanddecker.co.uk para registar o novo produto Black & Decker e manter-se atualizado relativamente a novos produtos e ofertas especiais.

(Översättning av originalanvisningarna)

SVENSKA

Avsedd användning

Din BLACK+DECKER BCMW3318, BCMW3336 gräsklippare har designats för gräsklippning. Dessa apparater är endast avsedda för konsumentbruk.

Säkerhetsinstruktioner

Varning! Vid användning av sladdlösa apparater ska grundläggande säkerhetsanvisningar, inklusive nedanstående, alltid följas. Detta för att minska risken för brand, elektriska stötar, person- och materialskador.

Varning! Vid användning av maskinen ska säkerhetsföreskrifterna följas. För din egen och närvarande personers säkerhet bör du läsa dessa instruktioner innan du använder maskinen. Spara instruktionerna för senare bruk.

- ♦ Läs hela den här bruksanvisningen noggrant innan du börjar använda apparaten.
- ♦ Avsedd användning beskrivs i denna bruksanvisning. Använd inte apparaten med andra tillbehör eller tillsatser än de som rekommenderas i den här bruksanvisningen eftersom detta kan leda till personsador.
- ♦ Spara den här bruksanvisningen för framtida referens.

Använda apparaten

Var alltid försiktig när du använder apparaten.

- ◆ Redskapet är inte avsett att användas av unga eller oerfarna personer utan övervakning.
- ◆ Apparaten ska inte användas som leksak.
- ◆ Låt inte barn eller djur komma i närheten av arbetsområdet. Låt dem inte heller röra vid redskapet eller elsladden.
- ◆ Om det finns barn i närheten när du använder redskapet ska du övervaka dem noga.
- ◆ Använd den endast på en torr plats. Se till att apparaten inte blir våt. Doppa aldrig ned apparaten i vatten.
- ◆ Öppna inte höljet. Det finns inga servicebara delar på insidan.
- ◆ Använd inte apparaten i explosionsfarliga omgivningar, t.ex. där brandfarliga vätskor, gaser eller damm förekommer.
- ◆ Dra aldrig i sladden när du vill ta ut kontakten ur uttaget. Detta för att minska risken för skador på kontakter och sladdar.
- ◆ Innan användning ska du alltid kontrollera om kniven, knivmuttern eller skärenheten är slitna eller skadade.
Byt ut slitna eller skadade komponenter i set för att bevara balansen.

- ◆ För att undvika riskerna med oavsiktlig återställning av termiska brytaren får inte denna apparat strömförsörjas via en extern brytarens enhet såsom en timer eller anslutas till en krets som regelbundet slår på och stänger av hjälpmotorn.
- ◆ Använd inte maskinen i närheten av andra människor, främst barn eller husdjur.
- ◆ Kom ihåg att det är användaren som ansvarar för olyckor och risker som andra människor eller deras egendom.

Före användningen

- ◆ Bär alltid kraftiga skor och långbyxor när du använder maskinen. Var inte barfota och bär inte sandaler med öppen tå när du använder maskinen. Undvik kläder som är löst sittande eller med hängande snören eller band.
- ◆ Inspektera alltid området noggrant där maskinen ska användas och rensa bort alla föremål som kan kastas iväg av maskinen.
- ◆ Innan användning ska du alltid kontrollera om bladet, bladmuttern eller bladenheten är slitna eller skador. Byt ut slitna eller skadade komponenter i set för att bevara balansen. Byt ut skadade eller oläsliga etiketter.

Efter användning

- ◆ När den inte används ska apparaten förvaras på en torr plats med god ventilation och utom räckhåll för barn.

- ◆ Barn ska inte ha tillgång till apparater under förvaring.
- ◆ När apparaten förvaras eller transporteras i en bil ska det placeras i bagageutrymmet eller spännas fast så att det inte rör sig vid plötsliga ändringar av hastighet eller riktning.

Kontroll och reparationer

- ◆ Kontrollera att apparaten är hel och att inga delar är skadade innan du använder den. Kontrollera att inga delar är trasiga, att strömbrytaren fungerar och att inget annat föreligger som kan påverka dess funktion.
- ◆ Använd inte apparaten om någon del har skadats eller gått sönder.
- ◆ Låt en auktoriserad reparatör reparera eller byta ut skadade eller defekta delar.
- ◆ Försök aldrig ta bort eller byta ut andra delar än de som anges i den här bruksanvisningen.
- ◆ Var försiktig när du justerar gräsklipparen så att inte fingrarna fastnar mellan knivar/delar som rör sig och maskinens fasta delar.
- ◆ När service görs på kniven, var medveten om att, även om strömkällan är avstängd kan kniven fortfarande röra sig.

Ytterligare säkerhetsanvisningar för gräsklippare

- ◆ Transportera inte maskinen medan strömkällan är påslagen
- ◆ Håll gräsklipparen i ett stadigt grepp med båda händerna vid användning.

- ◆ Om du någon gång behöver luta gräsklipparen ska du ha båda händerna i rätt läge för användning när gräsklipparen lutas. Håll båda händerna i rätt läge för användning tills gräsklipparen åter står på marken.
- ◆ Lyssna aldrig på radio eller musik i hörlurar när du använder gräsklipparen.
- ◆ Försök aldrig justera hjulhöjden medan motorn är igång eller när säkerhetsnyckeln sitter på sin plats.
- ◆ Om gräsklipparen kör fast ska du släppa säkerhetsbygeln för att stänga av den och vänta tills kniven stannat innan du försäker att ta bort det som fastnat eller tar bort något från klipparens undersida.
- ◆ Håll händerna och fötterna borta från klippområdet.
- ◆ Håll bladen vassa. Använd alltid skyddshandskar när du hanterar gräsklipparens blad.
- ◆ Om du använder gräsuppsamlaren bör du regelbundet kontrollera att den inte är utsliten eller har skadats. Om den är alltför sliten bör du för din egen säkerhet byta ut gräsuppsamlaren mot en ny.
- ◆ Var extra försiktig när du backar eller drar gräsklipparen mot dig.
- ◆ Ha inte händer eller fötter i närheten av eller under gräsklipparen. Stå aldrig framför utmatningsöppningarna.

- ◆ Rensa området där luftkuddegräsklipparen ska användas från stenar, grenar, ledningar, leksaker, ben osv. eftersom de kan kastas iväg av bladet. Föremål som träffas av bladet kan orsaka allvarliga personskador. Stanna bakom handtaget när motorn är igång.
- ◆ Var inte barfota och bär inte sandaler när du använder gräsklipparen. Bär alltid kraftiga skor.
- ◆ Dra inte gräsklipparen baklänges om det inte är absolut nödvändigt. Titta alltid nedåt och bakåt innan och medan du drar luftkuddegräsklipparen baklänges.
- ◆ Rikta aldrig det utkastade materialet mot någon. Undvik utkastning mot en vägg eller ett hinder. Material kan studsas tillbaka mot användaren. Släpp säkerhetsbygeln för att stänga av gräsklipparen och låt kniven stanna innan du korsar grusområden.
- ◆ Använd inte gräsklipparen om inte gräsuppsamlare, utkastarskydd, bakre skydd och andra säkerhetsanordningarna är monterade och fungerar. Kontrollera alla skydd och säkerhetsanordningarna regelbundet för att säkerställa att de är hela och fungerar som de ska. Byt ut skadade skydd och säkerhetsanordningar innan fortsatt användning.
- ◆ Lämna aldrig gräsklipparen obebaktad när den är igång.
- ◆ Släpp alltid säkerhetsbygeln för att stoppa motorn och vänta tills bladet har stannat helt innan gräsklipparen rengörs, gräsbehållaren tas bort, utkastarskyddet rensas, gräsklipparen lämnas obebaktad eller justeringar, reparationer eller kontroller utförs.
- ◆ Använd bara gräsklipparen i dagsljus eller i bra artificiell belysning när föremål inom arbetsområdet är väl synliga från gräsklipparens arbetsområde.
- ◆ Använd inte luftkuddegräsklipparen när du är påverkad av alkohol eller droger eller när du är trött eller sjuk. Var alltid uppmärksam, titta på vad du gör och använd vanligt sunt förnuft.
- ◆ Undvik farliga miljöer. Använd aldrig gräsklipparen i fuktigt eller vått gräs och använd den aldrig när det regnar. Se alltid att alltid ha bra fotfäste, gå alltid, spring aldrig.
- ◆ Om gräsklipparen börjar vibrera på ett onormalt sätt ska du släppa säkerhetsbygeln, vänta tills kniven har stannat och sedan genast orsaken till problemet. Vibrationer innebär oftast problem. Titta i felsökningsguiden för råd vid onormala vibrationer.
- ◆ Bär alltid skyddsglasögon och munskydd när du använder gräsklipparen.
- ◆ Det kan vara farligt att använda tillbehör som inte är rekommenderade för användning med den här gräsklipparen. Använd enbart tillbehör godkända av BLACK+DECKER.

- ◆ Sträck dig inte för långt när du använder gräsklipparen. Se till att du alltid har säkert fotfäste och god balans när du använder gräsklipparen.
- ◆ Arbeta tvärs över sluttningar, inte upp och ner. Var mycket försiktig när du byter riktning vid arbete på sluttningar.
- ◆ Se upp för håll, hjulspår, gupp, stenar eller andra dolda föremål. Ojämn terräng kan orsaka halk- och fallskador. Långt gräs kan dölja hinder.
- ◆ Klipp inte i vått gräs eller mycket branta sluttningar. Dåligt fotfäste kan orsaka halk- och fallskador.
- ◆ Klipp inte i närheten av branter, diken eller sluttningar. Du kan tappa fotfästet eller balansen.
- ◆ Låt alltid gräsklipparen svalna innan du ställer undan den.

Dra ur kontakten från uttaget och ta bort batteriet från maskinen. Se till att alla rörliga delar har stannat helt:

- ◆ Varje gång du lämnar maskinen;
- ◆ Innan du tar bort en blockering;
- ◆ Innan du kontrollerar, rengör eller arbetar med apparaten.

Säkerhet för andra

- ◆ Denna apparat är inte avsedd att användas av personer (inklusive barn) med reducerad fysisk, sensorisk eller mental förmåga eller med begränsad erfarenhet eller kunskap såvida inte de är under uppsikt eller fått instruktioner om användning av apparaten av en person som är ansvarig för deras säkerhet.

- ◆ Barn måste övervakas så att de inte leker med apparaten.
- ◆ När apparaten kört på ett främmande föremål. Inspektera apparaten efter skador och reparera om så behövs;

Övriga risker.

Ytterligare risker som inte finns med i de bifogade säkerhetsanvisningarna kan uppstå när verktyget används. Dessa risker kan uppstå vid felaktig eller långvarig användning, etc. Även om alla relevanta säkerhetsanvisningar följs och säkerhetsanordningar används kan vissa ytterligare risker inte undvikas. Dessa omfattar:

- ◆ Skador orsakade av att roterande/rörliga delar vidrörs.
- ◆ Skador som uppstår vid byte av delar, klinga eller tillbehör.
- ◆ Skador som orsakas av långvarig användning av ett verktyg. Se till att regelbundet ta vilopauser när du använder ett verktyg under en längre period.
- ◆ Hörselnedsättning.
- ◆ Hälsorisker orsakade av inandning av damm när redskapet används (exempel: arbete med trä, särskilt ek, bok och MDF.)
- ◆ Om användning av gräsklipparen i en fuktig miljö inte kan undvikas bör en jordfelsbrytare användas med en frånslagningsström på inte mer än 30 mA användas. Användning av en jordfelsbrytare minskar risken för elektrisk stöt.

- ♦ Lyft aldrig upp eller bär en apparat medan motorn körs.

Varningssymboler

Följande varningssymboler finns på apparaten tillsammans med datumkoden:



Varning! Läs bruksanvisningen innan användning.



Utsätt inte redskapet för regn eller hög luftfuktighet.



Tänk på att bladet är vasst. Knivarna rör sig en kort stund efter att motorn stängts av -
Ta bort obrukbar enhet innan underhåll eller om sladden är skadad.



Se upp för flygande föremål. Håll andra personer borta från arbetsområdet.



Bär skyddsglasögon



Bladen fortsätter att rotera en kort stund efter att du har stängt av maskinen.



Garanterad ljudnivå enligt direktiv 2000/14/EG.

Ytterligare säkerhetsinstruktioner för batterier och laddare

Batterier

- ♦ Försök aldrig öppna batteriet.
- ♦ Utsätt inte batteriet för vatten.
- ♦ Utsätt inte batteriet för värme.
- ♦ Förvara inte på platser där temperaturen kan bli högre än 40 °C.
- ♦ Ladda endast vid temperaturer mellan 10 °C och 40 °C.
- ♦ Ladda endast med hjälp av laddaren som medföljer apparaten/verktøget. Användning av fel laddare kan resultera i en elektrisk stöt eller att batteriet överhettas.
- ♦ Följ instruktionerna i avsnittet "Skydda miljön" när du gör dig av med batterier.
- ♦ Skydda batteriet från skador/ deformationer i form av slag och stötar eftersom det kan leda till personskador eller eldsvåda.
- ♦ Ladda inte skadade batterier.
- ♦ Under extrema förhållanden kan batterierna läcka. Om det finns vätska på batterierna ska du torka bort vätskan försiktigt med en trasa. Undvik hudkontakt.
- ♦ Vid kontakt med hud eller ögon, följ instruktionerna nedan.

Varning! Batterievätska kan orsaka personskador och/eller skador på egendom. Vid hudkontakt, skölj genast med vatten.

Vid rodnader, smärta eller irritation ska läkare uppsökas. Vid kontakt med ögon, skölj genast med rent vatten och uppsök läkare.



Försök inte ladda skadade batterier

Laddare

Laddaren är avsedd för en viss spänning. Kontrollera alltid att nätspänningen överensstämmer med spänningen på typskylten.

Varning! Försök aldrig byta ut laddaren mot en vanlig nätkontakt.

- ◆ Använd endast din Black & Decker laddare för att ladda batteriet i den apparat som den levererades med. Andra batterier kan spricka och orsaka personskador och andra skador.
- ◆ Försök aldrig att ladda ej uppladdningsbara batterier.
- ◆ Om nätsladden är skadad, måste den för att undvika risker, bytas ut av tillverkaren eller en auktoriserad BLACK & DECKER-verkstad.
- ◆ Utsätt inte laddaren för vatten.
- ◆ Öppna inte laddaren.
- ◆ Gör ingen åverkan på laddaren.
- ◆ Redskapet/verktyget/batteriet ska placeras på en plats med god ventilation vid laddning.



Laddaren är endast avsedd för inomhusbruk.



Läs bruksanvisningen före användning.

Elsäkerhet



Eftersom laddaren är dubbelisolerad behövs ingen jordledare. Kontrollera

alltid att nätspänningen överensstämmer med spänningen på typskylten.

Försök aldrig byta ut laddaren mot en vanlig elkontakt.

- ◆ Om nätsladden är skadad, måste den för att undvika risker, bytas ut av tillverkaren eller en auktoriserad BLACK & DECKER-verkstad.

Funktioner

Denna apparat har några eller samtliga av följande funktioner.

1. Kopplingsdosa
2. Säkerhetsbygel
3. Övre handtag
4. Nedre handtag
5. Övre handtag fästknoppar (2)
6. Nedre handtag fästport (2)
7. Inställningshåvarm klipphöjd
8. Gräsupsamlare
9. Lucka bakre öppning
10. Bärhandtag

Laddningsförlopp

BLACK+DECKER laddare är designade för att ladda BLACK+DECKER batteripaket.

- ◆ Koppla in laddaren i lämpligt uttag innan batteripaketet sätts i.
- ◆ Sätt in batteripaketet i laddaren.



Den gröna LED:n blinkar, vilket indikerar att batteriet laddas



När laddningen är klar indikeras detta av att den gröna LED:n lyser kontinuerligt. Batteriet är fulladdat och kan nu användas eller lämnas i laddaren

Varning! Ladda urladdade batterier så snart som möjligt efter användning, i annat fall kan batterilivslängden minska betydligt.

Laddardiagnostik

Denna laddare är designad att upptäcka vissa problem som kan uppstå med batteripaketet eller strömkällan. Problemen indikeras av en LED-blinkning i olika mönster.

Dåligt batteri



Laddaren kan upptäcka ett svagt eller skadat batteri.

Den röda LED blinkar i mönstret som anges på etiketten. Om du ser detta blinkmönster för dåligt batteri, fortsätt då inte att ladda batteriet.

Returnera det till ett servicecenter eller lämna det till batteriinsamlingen

Hett/kallt pakETFördröjning



När laddaren upptäcker ett batteri som är överdrivet hett eller överdrivet kallt, kommer den automatiskt att starta en varm/kall fördröjning och avbryta laddningen tills batteriet har nått en lämplig temperatur. När detta sker växlar laddaren automatiskt till paketladdningsläget. Denna funktion garanterar maximal batterilivslängd. Den röda LED blinkar i mönstret som anges på etiketten när den heta/kalla pakETFördröjningen upptäcks

Viktiga anmärkningar gällande laddning

- ◆ Längsta livslängd och bästa prestanda uppnås om batteripaketet laddas då lufttemperaturen är mellan 16 °C och 27 °C.
- ◆ Ladda INTE batteripaketet i lufttemperaturer under +4,5 °C eller över +40,5 °C.
Detta är viktigt eftersom det förhindrar allvarlig skada på batteripaketet.
- ◆ Laddaren och batteripaketet kan bli för varma att vidröra under laddningen. Detta är normalt och indikerar inte något problem. För att möjliggöra kylning av batteripaketet, undvik att placera laddaren eller batteripaketet på en varm plats såsom i ett metallskjul eller i en oisolerad vagn.
- ◆ Om batteripaketet inte laddar korrekt:
 - ◆ Kontrollera eluttaget genom att ansluta en lampa eller någon annan apparat.
 - ◆ Kontrollera om uttaget är anslutet till en strömbrytare som stänger av strömmen när du släcker.
 - ◆ lytta laddaren och batteripaketet till en plats där den omgivande temperaturen är ungefär 16°C- 27 °C.
 - ◆ Om laddningsproblemen kvarstår, lämna apparaten, batteripaketet och laddaren till ditt lokala servicecenter.
- ◆ Batteripaketet måste laddas när de inte längre kan producera tillräckligt med energi för jobb som enkelt utfördes tidigare. FORTSÄTT INTE att använda det under dessa förhållanden. Följ laddningsproceduren. Du kan också ladda ett delvis använt paket när du så önskar utan att det har någon negativ effekt på batteripaketet.
- ◆ Främmande föremål som är ledande såsom, men inte begränsat till, stålull, aluminiumfolie eller ansamling av metallpartiklar bör hållas borta från laddningshållrummet. Koppla alltid ifrån laddaren från eluttaget när det inte finns något batteripaket i facket. Koppla ifrån laddaren vid rengöring.
- ◆ Frys inte eller sänk ned laddaren i vatten eller annan vätska.

Varning! Låt ingen vätska komma in i laddaren.

FÖRSÖK ALDRIG ATT ÖPPNA BATTERIPAKETET AV NÅGON ANLEDNING.

OM PLASTHÖLJET PÅ BATTERIPAKETET GÅR SÖNDER ELLER SPRICKER, LÄMNA DET TILL ETT SERVICECENTER FÖR ÅTERTVINNING.

Batteriindikator för laddningsstatus

Batteriet är utrustat med en indikator för laddningsstatus. Den kan användas för att visa den aktuella laddningsnivån i batteriet under klippningen och under laddning. Den indikerar inte verktygets funktionalitet och kan variera baserat på produktkomponenter, temperatur och slutanvändarens användning.

Kontrollera laddningsstatus:

- ◆ Tryck på statusknappen för laddningsindikatorn (12a).
- ◆ De tre lysdioderna (12b) kommer att lysa för att indikera laddningsprocenten i batteriet. Se tabell i bild A.
- ◆ Om LED-lampan inte lyser, ladda batteriet.

Installera batteripaket (bild C, C1)

- ◆ Lyft på locket till batteriuttaget (14) för att visa batteriuttaget.
- ◆ Skjut batteriet (12) in i batteriuttaget tills det sitter helt fast och ett ljudligt klick hörs (figur C).
Se till att batteripaketet sitter helt på plats och är låst i positionen. BCMW3318 har två batteriuttag som visas i figur C1.
- ◆ Stäng luckan till batteriuttaget. Se till att locket är helt fastsatt innan gräsklipparen startas.

Ta bort batteripaket:

- ◆ Öppna batterifackets lock (14) såsom beskrivs ovan.
- ◆ Tryck ned batteriets låsknapp som är placerad på batteripaketet och dra ut batteripaketet från verktyget.

Montering

Varning! Innan montering se till att säkerhetsbygeln är lossad.

Fästa nedre handtaget

- ◆ Tryck på knappen (4a) på det nedre handtagets fästport (6) och sätt i det nedre handtaget (4). Justera höjden efter dina önskemål.

Notera! Se till att varje sida av det nedre handtaget är inställda på samma höjd.

Fästa övre handtaget (bild H)

Det övre handtaget har två olika monteringshål för olika positioner för inställning av längden på handtaget från däck. Den första uppsättningen med hål nära undre delen av den övre hantagsröret ger maximal handtagslängd. Användning av de översta monteringspositionerna kommer att förkorta handtagslängden

- ◆ Ta bort det övre handtagets fästknoppar (5) och bult (5a) från det övre handtaget.

- ◆ Rikta in hålen på undersidan av övre handtaget (3) mot hålen på ovsidan av det nedre handtaget (4).
- ◆ Från utsidan av det övre handtaget (3), skjut spakbulten genom hålen.
- ◆ Vrid det övre handtaget till dess driftläge.
- ◆ Dra åt det övre handtagets fästknoppar (5).

Fästa motorkabeln (bild I)

Varning: Fäst kabeln så att den inte sträcks eller kläms i fästpunkterna för handtaget under användning eller ihopvikning. Det kan göra att sladden skadas.

Motorkabeln måste fästas i handtagen med kabelbanden som redan sitter på handtaget.

Fästa kabeln på handtaget:

- ◆ Placera handtaget i driftläge, se sektionen "Fästa nedre handtaget".
- ◆ Kör upp kabeln framför det nedre och över handtaget.
- ◆ Dra tillbaka kabelbandet.
- ◆ Skjut motorkabeln under fästet och se till att det hålls på plats av bandet.

Mullning

Varning! Ta bort nyckeln och batteripaketet innan du tar bort sidoutkastet och uppsamlaren, och vid montering av mullinsats.

- ◆ Se till att sidoutkastet och uppsamlaren inte är ditsatt.
- ◆ Lyft den bakre luckan (9) och skjut mullinsatsen helt upp på gräsklipparen såsom visas i bild H.
- ◆ Se till att den bakre luckan helt stänger innan gräsklipparen slås på.

Drift

Läs igenom bruksanvisningen innan gräsklipparen används. Se "Funktioner" för att bekanta dig med de olika kontrollernas och inställningarnas placering. Spara denna manual för kommande referens.

Varning! Låt gräsklipparen arbeta i sin egen takt. Överbelasta inte.

Varning! Vass kniv i rörelse. Använd inte gräsklipparen i sidoutkastar- eller mullläge om den bakre luckan inte stängs av fjäderbelastningen eftersom det kan leda till allvarliga skador. Lämna in gräsklipparen på närmaste verkstad för reparation.

Inställning av gräsklipparhöjd

Klipphöjden kan justeras med hävarmen för höjdställning.

Notera: Om du är osäker på vilken höjd du skall klippa på, börja klippa med hävarmen för höjdställning (7) i rätt läge. Ställ in höjden nedåt efter behov.

Montera uppsamlaren (bild F, G)

- ◆ Lyft den bakre luckan (9) såsom visas i bilden (F).

- ◆ Placera gräsupsamlaren (8) på gräsklipparen så att påskrokarna (8a) vilar på fästena (8b) såsom visas i bilden (G). Sänk sedan den bakre dörren.

Starta gräsklipparen (bild H)

Varning! Vass kniv i rörelse. Försök aldrig koppla förbi funktionen hos denna omkopplingsbox eftersom det kan leda till allvarliga olyckor.

Notera: Gräsklipparen är klar att tas i bruk när batteriet eller batterierna är installerade.

- ◆ Denna gräsklipparen är utrustad med en special på-av omkopplingsbox. För att köra gräsklipparen, tryck på knappen (1a) på omkopplingsboxen (1), dra sedan säkerhetsbygeln (2) till styrhandtaget såsom visas i bild H. När gräsklipparen startat kan du släppa knappen.
- ◆ För att stänga av gräsklipparen, släpp bara säkerhetsbygeln.

Varning! Försök aldrig låsa eller fixera strömbrytaren eller säkerhetsbygeln (2) i påslaget läge.

Notera: När säkerhetsbygeln har återvänt till ursprungsläget aktiveras den automatiska bromsmekanismen. Motorn bromsas elektriskt och gräsklipparens kniv slutar rotera på 3 sekunder eller snabbare.

Överbelastning av motorn

För att förhindra skador på grund av överbelastning, försök att inte flytta för mycket gräs på en gång. Sänk klippastigheten eller öka klipphöjden.

Förvaring

Varning! Den roterande kniven kan orsaka allvarliga skador. Släpp säkerhetsbygeln (2) för att stänga av gräsklipparen och ta ur batteriet innan gräsklipparen lyfts, transporteras eller förvaras. Förvara gräsklipparen på ett torrt ställe.

Varning! För att undvika att klämmas skall fingrarna hållas borta från området runt handtagen när handtagen viks ihop.

Varning! Se till att kabeln inte sträcks eller kläms i fästpunkterna för handtaget under användning eller ihopvikning. Det kan göra att sladden skadas. Handtaget på gräsklipparen kan lätt vikas ned för snabb och bekväm förvaring.

Bära gräsklipparen

- ◆ Gräsklipparen kan bäras bekvämt genom att man lyfter i handtaget (10). **FÖRSÖK INTE** lyfta gräsklipparen genom att ta tag i det övre handtaget (3) eller det nedre handtaget (4).

Tips vid klippning

Varning! Inspektera alltid området där gräsklipparen ska användas och rensa bort alla stenar, grenar, ledningar, ben o.s.v. eftersom de kan kastas iväg av gräsklipparen.

Varning! Arbeta tvärs över sluttningar, inte upp och ned.

Var mycket försiktig när du byter riktning vid arbete på sluttingar. Använd inte gräsklipparen i branta sluttingar. Se till att alltid ha bra förfäste.

- ◆ Släpp säkerhetsbygeln för att stänga av gräsklipparen när du korsar grusområden (den roterande kniven kan slunga iväg stenar).
- ◆ Ställ gräsklipparen på högsta klipphöjden när du klipper på ojämn mark eller i högt gräs. Om gräsklipparen klipper för mycket gräs på en gång kan motorn överbelastas och stannar. Använd felsökningsguiden.
- ◆ Om gräsbehållaren (8) används under den snabbväxande säsongen kan gräset komma att täppa igen utkastaröppningen. Släpp säkerhetsbygeln för att stanna gräsklipparen och ta därefter ur säkerhetsnyckeln. Ta bort gräsuppsamlaren och skaka tills gräset hamnar längst bak i behållaren. Rensa bort eventuellt gräs eller skräp som samlats runt utkastaröppningen. Sätt tillbaka gräsuppsamlaren.
- ◆ Om gräsklipparen börjar vibrera onormalt, släpp säkerhetsbygeln för att stänga av gräsklipparen och ta bort säkerhetsnyckeln. Kontrollera orsaken omedelbart. Vibrationer är vanligtvis ett tecken på problem. Använd inte gräsklipparen förrän den genomgått en servicekontroll. Använd felsökningsguiden i bruksanvisningen.
- ◆ Släpp alltid säkerhetsbygeln för att stanna gräsklipparen och ta därefter ur säkerhetsnyckeln även om du bara lämnar den oövervakad under en kort stund.

Tips för optimal prestanda

- ◆ Kör långsammare i områden där gräset är extra högt eller tjockt.
- ◆ Undvik att klippa när gräset är vått från regn eller fuktigt.
- ◆ Klipp din gräsmatta ofta, särskilt när den växer mycket.

Notera: Det rekommenderas att ladda gräsklipparen efter användningen för att förlänga batteriets livslängd.

Regelbunden laddning kommer inte att skada batteriet och ser till att batteriet är fulladdat och klart för nästa användning. Förvaring av batterier som inte är fulladdat kommer att förkorta dess livslängd.

Borttagning och installation av knivar

Varning! Vid återmontering av knivsystemet, se till att varje del återinstalleras korrekt såsom beskrivs nedan.

Felaktig montering av kniven eller andra delar i knivsystemet kan orsaka allvarliga skador.

Varning! Släpp säkerhetsbygeln för att stänga av gräsklipparen, vänta tills kniven stannat koppla sedan ifrån gräsklipparen.

- ◆ Skär till en bit 2x4 trä (14) (omkring 610 mm lång) för att förhindra att knivarna roterat när bulten tas bort (13).
- ◆ Använd handskar och ordentligt skydd för ögonen.
- ◆ Läggräsklipparen på sidan.

Akta dig för bladets vassa kanter. Placera träbiten och skruva loss bulten med 13 mm skruvnyckel (36) såsom visas i bild I.

- ◆ Notera riktningen på varje del allteftersom du tar bort den. Ta bort bulten (15) och brickan (16). Dra bort bladet (17) såsom visas i bild J. Undersök alla delar efter skador och byt om så behövs.
- ◆ Kniven kan endast fästas på fläkten (20) åt ett håll. För att återmontera, rikta in det d-formade hålet på kniven mot den d-formade posten på fläkten, se till att texten på kniven är riktad ut från gräsklipparen.
- ◆ Dra åt ordentligt, placera träbiten såsom visas i bild K för att förhindra att kniven roterar. Skjut bulten genom brickan och dra åt bulten medurs på plats med en 13mm skruvnyckel (13) såsom visas i bild K.

Slipa bladet

För bästa prestanda bör du se till att bladet alltid är vasst. En slött blad varken klipper eller finfördelar gräset ordentligt. Se till att skydda ögonen ordentligt när du tar bort, slipar eller monterar ett blad. Se till att säkerhetsnyckeln och batteriet är borttagna.

Under normala förhållanden räcker det att slipa bladet två gånger under en klippssäsong.

Sand gör att bladet snabbt blir slött. Om din gräsmatta växer i sandjord kan du behöva slipa bladet oftare.

Notera: Byt ut böjda eller skadade blad omedelbart.

Vid slipning av bladet:

- ◆ Kontrollera att kniven förblir balanserad.
- ◆ Slipa bladet med den ursprungliga klippningsvinkeln.
- ◆ Slipa skärkanterna i båda ändar av kniven och avlägsna lika mycket material från båda ändarna.

Slipa ett blad i ett skruvstöd (bild L)

- ◆ Se till att säkerhetsbygeln är släppt, kniven har stannat och att säkerhetsnyckeln och batteripaketet tagits bort innan kniven tas bort.
- ◆ Ta bort kniven från gräsklipparen. Se instruktionen för borttagning och installation av bladet.
- ◆ Fäst bladet (17) i ett skruvstöd.
- ◆ Använd ordentliga ögonskydd och handskar och var försiktig så att du inte skär dig. Fila bladets skärkanter försiktigt med en fintandad fil eller ett bryne för att återskapa den ursprungliga skärkanten. Kontrollera bladbalansen. Se instruktioner för bladbalansering.
- ◆ Sätt tillbaka bladet på gräsklipparen och dra åt ordentligt.

Knivbalans

Du kontrollerar bladets (17) balans genom att placera bladets centrumhål runt en spik eller en skruvmejsel med runt skaft som fästs horisontellt i ett skruvstöd.

Om någon ände hos bladet roterar nedåt, fylla längs den vassa kanten på änden som roterar nedåt. Bladet är korrekt balanserat när ingen ände droppar ned.

Smörjning

Ingen smörjning behövs. Håll inte olja på hjulen. Hjulets lagerytor är av plast och behöver inte smörjas.

Rengöring

Släpp säkerhetsbygeln (2) för att stänga av gräsklipparen, låt kniven stanna helt. Använd bara mild tvål och en fuktig trasa för att rengöra gräsklipparen. Ta bort eventuella gräsrester som kan ha samlats under gräsklipparen. Efter flera användningar bör du kontrollera alla utsatta fästelement är ordentligt åtdragna.

Förebygga korrosion

Gödningsmedel och andra trädgårdskemikalier innehåller ämnen som i hög grad påskyndar korrosion av metaller. Om du klipper i områden där gödningsmedel eller kemikalier har använts bör gräsklipparen rengöras så här efteråt: Släpp säkerhetsbygeln (2) för att stänga av och koppla ifrån gräsklipparen. Torka av alla åtkomliga delar med en fuktigt trasa.

Underhåll

Din kabelanslutna/sladdlösa BLACK+DECKER-apparat/ verktyg är konstruerad för att fungera en lång tid med minsta möjliga underhåll. Med rätt underhåll och regelbunden rengöring behåller verktyget/apparaten sin funktion.

Varning! Innan något underhåll utförs på sladdanslutna/sladdlösa elverktyg:

- ◆ Stäng av apparaten/verktyget och dra ur nätkontakten.
- ◆ Om batteriet är inbyggt låter du det laddas ur helt innan avstängningen.
- ◆ Dra ur sladden till laddaren innan du rengör den. Laddaren behöver inget annat underhåll än regelbunden rengöring.
- ◆ Rengör regelbundet redskapets/verktygets/laddarens luftintag med en mjuk borste eller torr trasa.
- ◆ Rengör motorkåpan regelbundet med en fuktigt trasa. Använd aldrig något slipande eller lösningsmedelsbaserat rengöringsmedel.
- ◆ Ta med jämna mellanrum bort gräs och smuts från skyddets undersida med en trubbig skrapa.

Felsökning

Om apparaten inte fungerar som den ska följer du instruktionerna nedan.

Om problemet kvarstår kontaktar du närmaste BLACK+DECKER-verkstad.

Varning! Innan du fortsätter, släpp säkerhetsbygeln för att stänga av gräsklipparen, väntar tills kniven stannat.

Problem	Möjlig lösning
Gräsklipparen körs inte när säkerhetsbygeln är aktiverad.	<p>Se till att gräsklipparen är korrekt ansluten och att knappen på omkopplingsboxen är helt intryckt innan säkerhetsbygelns trycks in.</p> <p>Stäng av gräsklipparen genom att släppa upp säkerhetsbygeln. Ta ur batteripaketet, stäng av gräsklipparen och kontrollera att kniven har fritt svängrum.</p> <p>Kontrollera att batteriet är fritt från skräp och att det är korrekt anslutet.</p> <p>Är batteriet fulladdat? Tryck på laddningsknappen.</p>
Motorn stannar under klippning.	<p>Stäng av gräsklipparen genom att släppa upp säkerhetsbygeln. Ta ur batteripaketet, stäng av gräsklipparen och kontrollera att kniven har fritt svängrum.</p> <p>Höj hjulen till den högsta klipphöjden och starta gräsklipparen.</p> <p>Kontrollera att batteriet är fritt från skräp och att det är korrekt anslutet.</p> <p>Är batteriet fulladdat? Tryck på laddningsknappen.</p> <p>Undvik att överbelasta gräsklipparen. Sänk klippfästigheten eller öka klipphöjden.</p>
Gräsklipparen kör men klipprestanden är otilfredsställande.	<p>Stäng av gräsklipparen genom att släppa upp säkerhetsbygeln. Koppla ifrån gräsklipparen. Vänd på gräsklipparen och kontrollera följande:</p> <ul style="list-style-type: none"> ◆ Kniven ska vara vass. ◆ Undersidan och utkastarrännan är fria från gräsrester. <p>Hjulinställningen kan vara för låg för gräsförhållandena. Öka klipphöjden.</p>
Gräsklipparen är för tung att skjuta framåt.	<p>Stäng av gräsklipparen genom att släppa upp säkerhetsbygeln. Koppla ifrån gräsklipparen. Öka klipphöjden för att minska undersidans motstånd mot gräset. Kontrollera att alla hjul roterar fritt.</p>
Gräsklipparen bullrar och vibrerar onormalt mycket.	<p>Släpp säkerhetsbygeln för att stänga av gräsklipparen. Ta bort batteripaketet. Ställ gräsklipparen på sidan och säkerställ att kniven inte är böjd eller skadad. Om kniven är skadad ska den bytas mot en ersättningskniv från BLACK+DECKER. Om gräsklipparens underdel är skadad ska du lämna in gräsklipparen hos en auktoriserad BLACK+DECKER-verkstad.</p> <p>Om det inte finns några synliga skador på kniven och gräsklipparen fortfarande vibrerar:</p> <ul style="list-style-type: none"> ◆ Stäng av gräsklipparen genom att släppa upp säkerhetsbygeln. ◆ Ta bort batteripaketet. ◆ Demontera hela knivmontaget såsom beskrivs i sektionen "Borttagning och installation av kniv". ◆ Ta bort skräp och rengör varje del. ◆ Sätt tillbaka varje del såsom beskrivs i sektionen "Borttagning och installation av kniv". <p>Om gräsklipparens fortfarande vibrerar lämnar du in gräsklipparen hos en auktoriserad Black & Decker-verkstad.</p>
Batteriladdarens LED lyser inte.	<p>Kontrollera kontaktanslutningen.</p> <p>Byte av laddare.</p>
Gräsklipparen tar inte upp klipprester.	<p>Utkastarrännan har täppts igen. Stäng av gräsklipparen genom att släppa upp säkerhetsbygeln. Ta bort batteripaketet. Rensa bort klipprester från utkastarrännan.</p> <p>Höj hjulen för att minska längden på gräset som klipps.</p> <p>Behållaren är full. Töm behållaren oftare.</p>

Skydda miljön



Separat insamling. Produkter och batterier som är markerade med denna symbol får inte kastas in de vanliga hushållssoptorna.

Produkterna och batterierna innehåller material som kan återvinnas eller återanvändas, vilket sänker behovet av råmaterial. Återvinn elektriska produkter och batterier enligt lokala föreskrifter. Ytterligare information finns tillgänglig på www.2helpU.com

Tekniska data

		BCMW3318	BCMW3336
Spänning	Vdc	18V	36V
Obelastad hastighet	min ⁻¹	3800RPM	3800RPM
Vikt	kg	15	15
Knivlängd	cm	33	33

Batterier				Laddare (minuter)					
Kodf	Vdc	Ah	Vikt (kg)	Kodf	9090287*	N517388*	BDC1A	BDC2A	BDC2A36
				Ampere	400mA	1A	1A	2 A	1,35A
BL1518	18	1,5	0,39	BL1518	225	90	90	45	X
BL1518ST	18	1,5	0,38	BL1518ST	225	90	90	45	X
BL2018	18	2,0	0,39	BL2018	300	120	120	60	X
BL2018ST	18	2,0	0,39	BL2018ST	300	120	120	60	X
BL2518	18	2,5	0,43	BL2518	380	150	150	75	X
BL4018	18	4,0	0,64	BL4018	600	240	240	120	X
BL5018	18	5,0	0,7	BL5018	750	300	300	135	X
BL20362	36	2,0	0,64	BL20362	X	X	X	X	90
BL2536	36	2,5	0,68	BL2536	X	X	X	X	110
BL1554	18/54	1,5	1,68	BL1554	225	90	90	45	X
BL2554	18/54	2,5	1,2	BL2554	380	150	150	75	X

Vibrationspåverkan på hand/arm:
= <2,5 m/s², osäkerhet (K) = 1,5m/s².

L_w (ljudtryck) 74,5 dB(A)
osäkerhet (K) = 2,5 dB(A)
L_{WA} (ljudeffekt) 86 dB(A)
osäkerhet (K) = 1,5 dB(A)

EG-försäkran om överensstämmelse MASKINDIREKTIVET BULLERFÖRESKRIFTER, UTMHUS



BCMW3318, BCMW3336 gräsklippare

2006/42/EC, EN 60335-1:2012 + A11:2014,
EN 60335-2-77:2010

2000/14/EG, Gräsklippare, L < 50 cm, Annex VI,
DEKRA Certification B.V. Meander 1051 / P.O. Box 5185
6825 MJ ARNHEM / 6802 ED ARNHEM, Nederländerna
Anmält organ, id-nr: 0344

Den akustiska effekten enligt 2000/14/EG (Artikel 12, Annex III, L < 50cm):

L_w (uppmätt ljudnivå) 86 dB(A)
osäkerhet (K) = 1,5 dB(A)

L_w (garanterad ljudnivå) 96 dB(A)

De här produkterna överensstämmer även med direktiven 2014/30/EU och 2011/65/EU. Kontakta Black & Decker för ytterligare information på följande adress, eller se handbokens baksida.

Undertecknad är ansvarig för sammanställningen av tekniska data och gör denna försäkran för Black & Decker.

Becky Cotsworth
Director – Outdoor Products Group
Black & Decker Europe, 270 Bath Road, Slough,
Berkshire, SL1 4DX
Storbritannien
11/10/2019

Garanti

Black & Decker är säkra på kvaliteten hos denna produkt och erbjuder kunder 24 månaders garanti från inköpsdatumet. Denna garanti 75 gäller utöver konsumentens rättigheter enligt lag och påverkar inte dessa. Garantin är giltig i de områden som tillhör medlemsstaterna i Europeiska unionen och det europeiska frihandelsområdet.

För yrkande under garantin måste yrkandet vara in enlighet med Black&Deckers villkor och du kommer att behöva skicka in bevis på köpet till försäljaren eller en auktoriserad reparatör. Villkoren för Black & Deckers tvååriga garanti och var du hittar din närmaste auktoriserade reparatör kan erhållas på Internet på www.2helpU.com, eller genom att kontakta ditt lokala Black & Decker-kontor på adressen som angetts i denna manual.

Besök vår webbplats www.blackanddecker.se för att registrera din nya Black & Decker-produkt samt för att få information om nya produkter och specialerbjudanden.

Black & Decker försäkrar att dessa produkter, beskrivna under "tekniska data" uppfyller:

Tiltenkt bruk

BLACK+DECKER BCMW3318 og BCMW3336-gressklippere har blitt designet til å klippe gress. Disse apparatene er bare beregnet for privat bruk.

Sikkerhetsinstruksjoner

Advarsel! Når du bruker batteridrevne apparater, må du alltid ta grunnleggende forholdsregler når det gjelder sikkerhet, blant annet dem som er beskrevet nedenfor, for å redusere risikoen for brann, elektrisk støt, personskade og materiell skade.

Advarsel! Når du bruker maskinen, må du følge sikkerhetsreglene.

Les disse instruksjonene før du bruker maskinen, for å ivareta sikkerheten for deg selv og personer i nærheten. Ta vare på instruksjonene for senere bruk.

- ◆ Les hele denne håndboken nøye før du bruker apparatet.
- ◆ Beregnet bruk er beskrevet i denne bruksanvisningen. Hvis du bruker annet tilbehør, kobler til annet utstyr eller bruker dette apparatet til andre oppgaver enn det som er anbefalt i denne håndboken, kan det føre til fare for personskade.
- ◆ Ta vare på denne bruksanvisningen for fremtidig bruk.

Bruke produktet

Vær alltid forsiktig når du bruker apparatet.

- ◆ Det er ikke meningen at denne maskinen skal brukes av unge eller svakelige personer uten tilsyn.
- ◆ Apparatet skal ikke brukes som leketøy.

- ◆ Pass på at barn og dyr ikke kommer i nærheten av arbeidsområdet, og at de ikke berører verktøyet eller strømledningen.
- ◆ Pass ekstra godt på når apparatet brukes i nærheten av barn.
- ◆ Skal bare brukes på tørre steder. Ikke la apparatet bli vått. Ikke senk produktet ned i vann.
- ◆ Ikke åpne apparatet. Verktøyet inneholder ingen deler som kan vedlikeholdes av brukeren.
- ◆ Ikke arbeid med produktet i eksplosjonsfarlige omgivelser, som for eksempel der det befinner seg brennbare væsker, gass eller støv.
- ◆ Dra aldri i kabelen når du skal ta støpselet ut av stikkontakten. Dermed reduserer du risikoen for skade på støpsel og kabel.
- ◆ Før bruk må du alltid se etter at bladene, bladskrueene og bladenheten ikke er slitt eller skadet. Bytt ut slitte eller skadde blader og bolter i sett for å opprettholde balansen.
- ◆ Unngå fare fra uaktsom tilbakestilling av termisk sikring ved å ikke forsyne apparatet gjennom et eksternt koblingsapparat, slik som en avbryter, eller ikke bli tilkoblet en strømkrets som redskapet regelmessig slår på og av.
- ◆ Ikke bruk maskinen hvis det er personer, spesielt barn, eller dyr i nærheten.

- ◆ Husk at operatøren eller brukeren vil bli gjort ansvarlig for ulykker eller farer for andre personer eller deres eiendom.

Før bruk

- ◆ Bruk alltid kraftig fottøy og lange bukser mens du bruker maskinen. Ikke bruk maskinen når du er barbent, eller bruker åpne sandaler. Unngå klær som sitter løst, eller har snorer eller bånd som henger.
- ◆ Kontroller nøye området der maskinen skal brukes og fjern alle gjenstander som maskinen kan kaste.
- ◆ Før bruk må du alltid se etter at bladet, bladskruen og bladenheten ikke er slitt eller skadet. Bytt ut slitte eller skadde komponenter i sett for å opprettholde balansen. Erstatt skadet eller uleselig merking.

Etter bruk

- ◆ Når apparatet ikke er i bruk, skal det oppbevares på et tørt og godt ventilert sted og utilgjengelig for barn.
- ◆ Barn skal ikke ha tilgang til apparater som oppbevares.
- ◆ Når apparatet oppbevares eller transporteres i et kjøretøy, bør det plasseres i bagasjerommet eller festes, slik at det ikke beveger seg når kjøretøyet brått endrer hastighet eller retning.

Kontroll og reparasjon

- ◆ Kontroller at maskinen ikke er skadet eller har defekte deler før du bruker det.

Undersøk om brytere eller andre deler er skadet, eller om det er andre forhold som kan påvirke bruken.

- ◆ Ikke bruk produktet hvis noen del er skadet eller defekt.
- ◆ Overlat reparasjon eller utskifting av skadde eller defekte deler til et autorisert serviceverksted.
- ◆ Forsøk aldri å fjerne eller skifte ut andre deler enn dem som er oppgitt i denne håndboken.
- ◆ Vær forsiktig når du justerer gressklipperen, slik at du ikke klemmer fingrene mellom bevegelige blader/deler og faste deler på maskinen.
- ◆ Ved service på bladene, være klar over at selv om strømmen er av, kan bladene likevel bevege seg.

Ekstra sikkerhetsinstruksjoner for gressklippere

- ◆ Ikke transporter maskinen mens strømkilden er aktiv
- ◆ Hold godt fast i håndtaket med begge hender når du bruker gressklipperen.
- ◆ Hvis det på noe tidspunkt er nødvendig å vippe gressklipperen til én side, sørg for at begge hender forblir i denne betjeningsposisjonen mens gressklipperen vippes. Hold begge hender i betjeningsposisjonen helt til gressklipperen er satt riktig tilbake på bakken igjen.
- ◆ Du må aldri bruke hodetelefoner for radio eller musikk når du bruker gressklipperen.

- ◆ Forsøk aldri å justere høyden på hjulene mens motoren går, eller mens sikkerhetsnøkkelen er i bryterhuset.
- ◆ Hvis gressklipperen kjører seg fast, slipper du sikkerhetshåndtaket for å slå gressklipperen av, venter til bladet har stoppet før du prøver å fjerne tilstoppingen av utmatningen eller fjerne noe under dekselet.
- ◆ Hold hendene og føttene borte fra skjæreområdet.
- ◆ Hold bladene skarpe. Bruk alltid vernehansker når du håndterer bladet på gressklipperen.
- ◆ Hvis du bruker gressoppsamleren, må du jevnlig kontrollere om den er slitt eller ødelagt.
Hvis den er svært slitt, må du bytte den ut med en ny gressoppsamler for din egen sikkerhets skyld.
- ◆ Vær svært forsiktig når du kjører gressklipperen bakover eller trekker den mot deg.
- ◆ Ikke ha hendene eller føttene i nærheten av eller under gressklipperen.
Hold deg alltid unna utkasteråpningen.
- ◆ Rydd området der sveveklipperen skal brukes, for gjenstander som steiner, pinner, tråder, leker, bein osv. som bladet kan kaste ut.
Gjenstander som treffes av bladet, kan påføre personer alvorlige skader. Hold deg bak håndtaket når motoren er i gang.
- ◆ Ikke bruk gressklipperen barbert eller når du har på sandaler. Bruk alltid solid fottøy.
- ◆ Ikke trekk gressklipperen bakover med mindre det er absolutt nødvendig. Se alltid nedover og bak før og mens du beveger deg bakover.
- ◆ Du må aldri rette materiale som kastes ut mot noen. Unngå at materiale blir kastet ut mot en vegg eller hindring. Materiale kan bli kastet tilbake mot brukeren. Slipp sikkerhetshåndtaket for å slå gressklipperen av og stoppe bladet når du krysser gruslagte flater.
- ◆ Ikke bruk gressklipperen med mindre hele gressoppsamleren, utmatingsvernet, det bakre vernet eller annet sikkerhetsutstyr er på plass og fungerer. Kontroller alle verneinnretninger og alt sikkerhetsutstyr regelmessig for å sikre at dette er i god stand, fungerer riktig og utfører den funksjonen det er beregnet for.
Hvis et vern eller annet sikkerhetsutstyr er skadet, bytter du det ut før videre bruk.
- ◆ Du må aldri la en gressklipper være uten tilsyn når den går.
- ◆ Slipp alltid sikkerhetshåndtaket for å stoppe motoren, vent til bladet stopper helt før du rengjør gressklipperen, tar av gressoppsamleren eller fjerner tilstopping ved utmatingsvernet, når du forlater gressklipperen, eller før du utfører noen justeringer, reparasjoner eller kontroller.
- ◆ Bruk gressklipperen bare i dagslys eller godt kunstig lys når gjenstander i banen til bladet er godt synlige fra bruksområdet for gressklipperen.

- ◆ Ikke bruk sveveklipperen dersom du er påvirket av alkohol, rusmidler eller dersom du er trøtt eller syk. Vær alltid oppmerksom, se hva du gjør og bruk sunn fornuft.
- ◆ Unngå farlige omgivelser. Du må aldri bruke gressklipperen i fuktig eller vått gress, og aldri når det regner. Pass på at du alltid har godt fotfeste. Gå, aldri løp.
- ◆ Hvis gressklipperen begynner å vibrere unormalt, slipper du sikkerhetshåndtaket og venter til bladet stopper. Undersøk deretter straks årsaken. Unormal vibrasjon er vanligvis en advarsel om at noe er galt. Du kan se etter råd i problemløsningsveiledningen i slike tilfeller.
- ◆ Bruk alltid tilfredsstillende øye- og åndedrettsbeskyttelse når du bruker gressklipperen.
- ◆ Det kan være farlig å bruke tilbehør eller tilkoblet utstyr som ikke er anbefalt for bruk sammen med denne gressklipperen. Bruk bare tilbehør som er godkjent av BLACK+DECKER.
- ◆ Du må aldri strekke deg for langt når du bruker gressklipperen. Pass på at du alltid har sikkert fotfeste og god balanse mens du bruker gressklipperen.
- ◆ Slå gress på tvers av skråninger, aldri opp og ned. Vær svært forsiktig når du endrer retning i skråninger.
- ◆ Se opp for hull, spor, humper, steiner eller andre skjulte ting. Ujevnt terreng kan føre til uhell der man sklir og faller.

Høyt gress kan skjule hindringer.

- ◆ Ikke bruk sveveklipperen på vått gress eller i svært bratte skråninger. Dårlig fotfeste kan føre til uhell der man sklir og faller.
 - ◆ Ikke bruk sveveklipperen i nærheten av skrenter, grøfter eller fyllinger. Du kan miste fotfestet eller balansen.
 - ◆ La alltid sveveklipperen bli avkjølt før den settes til oppbevaring.
- Dra ut støpselet fra stikkontakten og dra batteripakken ut av maskinen. Sørg for at alle bevegelige deler står fullstendig i ro:
- ◆ Når du forlater maskinen.
 - ◆ Før du fjerner en tilstopping.
 - ◆ Før du kontrollerer, rengjør eller arbeider på apparatet.

Andre personers sikkerhet

- ◆ Dette apparatet er ikke ment for bruk av personer (inkludert barn) med redusert fysiske, sensoriske eller mentale evner, eller mangel på erfaring og kunnskap, med mindre de får tilsyn eller har blitt opplært i bruk av apparatet av en person ansvarlig for deres sikkerhet.
- ◆ old barn under oppsyn for å passe på at de ikke leker med apparatet.
- ◆ Etter at du har truffet en fremmed gjenstand. Inspiserer apparatet for skade og utfør nødvendige reparasjoner.

Andre risikoer.

Når verktøyet brukes, kan det oppstå ytterligere risikoer som kanskje ikke er beskrevet i de medfølgende sikkerhetsadvarslene.

Disse risikoene kan bli forårsaket av feil bruk, langvarig bruk osv.

Selv om de relevante

sikkerhetsbestemmelsene blir fulgt, og sikkerhetstiltakene blir gjennomført, kan visse gjenværende risikoer ikke unngås.

Disse inkluderer:

- Personskader som forårsakes av berøring av en roterende/bevegelig del.
- Personskader som oppstår ved skifte av deler, blader eller tilbehør.
- Personskader som skyldes for lang tids bruk av verktøyet. Når du bruker et verktøy i lange perioder, må du sørge for å ta regelmessige pauser.
- Hørselskader.
- Helsefarer forårsaket av innånding av støv som utvikler seg når du bruker verktøyet (eksempel: arbeid med tre, spesielt eik, bøk og MDF.)
- Hvis bruk av kvernen i fuktige omgivelser er uunngåelig, må du bruke en jordfeilbryter (RCD) med utløsningsstrøm på maksimalt 30 mA. Bruk av jordfeilbryter (RCD) reduserer risikoen for elektrisk støt.
- Aldri plukk opp eller bær maskinen mens motoren er i gang.

Advarselssymboler

Følgende advarselssymboler vises på maskinen sammen med datokoden:



Advarsel! Les håndboken før bruk.



Ikke utsett apparatet for regn eller høy fuktighet.



Se opp for skarpe blader.

Bladene fortsetter å rotere etter at motoren er slått av – Fjern deaktiveringsenheten før vedlikehold eller hvis ledningen er skadet.



Se opp for gjenstander som kastes rundt. Hold personer i nærheten borte fra klippeområdet.



Bruk vernebriller



Bladene vil fortsette å rotere etter at maskinen er slått av.



Garantert lydeffekt i henhold til direktiv 2000/14/EF.

Ytterligere sikkerhetsinstruksjoner for batterier og ladere

Batterier

- Forsøk aldri å åpne av noen årsak.
- Ikke utsett batteriet for vann.
- Ikke utsett batteriet for varme.
- Ikke oppbevar det på steder hvor temperaturen kan komme over 40 °C.
- Lad bare ved temperaturer mellom 10°C og 40°C.
- Bruk bare den laderen som følger med apparatet/verktøyet. Hvis du bruker feil lader, kan dette føre til et elektrisk støt eller at batteriet overopphetes.

- ◆ Følg instruksjonene i avsnittet "Miljøvern" når du skal kaste batterier.
- ◆ Ikke skad eller deformer batteripakken ved punktering eller støt, da dette kan føre til risiko for personskade og brann.
- ◆ Du må ikke lade skadede batterier.
- ◆ Under ekstreme forhold kan batterilekkasje forekomme. Hvis du oppdager væske på batteriene, må du tørke den forsiktig av med en klut. Unngå kontakt med huden.
- ◆ Hvis væsken kommer i kontakt med huden eller øynene, følger du instruksjonene nedenfor.

Advarsel! Batterisyren kan føre til personskader og/eller materielle skader.

Ved hudkontakt skyller du umiddelbart med vann.

Hvis huden blir rød eller irritert eller smerter inntreffer, søk øyeblikkelig medisinsk hjelp. Hvis væsken kommer i kontakt med øynene, skyller du umiddelbart med rent vann og søker øyeblikkelig medisinsk hjelp.



Ikke forsøk å lade opp skadede batterier

Lader

Laderen er konstruert for en bestemt spenning. Kontroller alltid at nettspenningen er i overensstemmelse med spenningen på typeskiltet.

Advarsel! Ikke skift ut laderen med et vanlig nettstøpsel.

- ◆ Bruk bare Black & Decker-laderen til å lade batteriet i apparatet som laderen ble levert sammen med. Andre batterier kan sprekke og føre til personskade og materiell skade.
- ◆ Prøv aldri å lade ikke-oppladbare batterier.
- ◆ Hvis strømledningen blir skadet, må den byttes av produsenten eller et autorisert Black & Decker-servicesenter for å unngå fare.
- ◆ Ikke utsett laderen for vann.
- ◆ Ikke åpne laderen.
- ◆ Ikke stikk gjenstander eller fingre inn i laderen.
- ◆ Apparatet, verktøyet eller batteriet må plasseres på et sted med god gjennomlufting under ladning.



Laderen er bare beregnet for innendørs bruk.



Les denne håndboken før bruk.

Elektrisk sikkerhet



Denne laderen er dobbeltisolert. Jording er derfor ikke nødvendig.

Kontroller alltid at nettspenningen er i overensstemmelse med spenningen på typeskiltet. Ikke skift ut laderen med et vanlig nettstøpsel.

- ◆ Hvis strømledningen blir skadet, må den byttes av produsenten eller et autorisert Black & Decker-servicesenter for å unngå fare.

Funksjoner

Dette apparatet har noen av eller alle funksjonene nedenfor.

1. Koblingsboks
2. Sikkerhetshåndtak

3. Håndtak, øvre del
4. Håndtak, nedre del
5. Feste knaster på øvre del av håndtaket (2)
6. Festeåpninger på nedre del av håndtaket (2)
7. Justeringsspake for klippehøyde
8. Gressopsamlar
9. Deksel bakdør
10. Bærehåndtak

Ladeprosedyre

BLACK+DECKER-ladere er designet for å lade

BLACK+DECKER-batteripakker.

- ◆ Plugg laderen inn i et passende støpsel før du setter inn batteripakken.
- ◆ Sett batteripakken inn i laderen.



Det grønne LED-lyset blinker for å varsle om at batteriet lades



Fullført lading vises ved at den grønne LED-en er på. Pakken er da fullt oppladet og kan brukes, eller den kan bli stående i laderen

Advarsel! Lad opp utladede batterier så fort som mulig etter bruk, ellers vil batteriets levetid forringes.

Laderdiagnose

Denne laderen er designet for å oppdage visse problemer som kan oppstå med batteripakken eller strømkilden. Problemer indikeres av et LED-lys som blinker i ulike mønstre.

Dårlig batteri



Laderen kan oppdage et svakt eller ødelagt batteri.

LED-lyset blinker i mønsteret som er indikert på merkelappen. Hvis du ser dette blinkemønsteret for dårlig batteri, skal du ikke fortsette å lade batteriet.

Returner det til et servicesenter eller et oppsamlingssted for resirkulering

Varm/kald pakkeforsinkelse



Dersom laderen detekterer et batteri som er for varmt eller for kaldt, vil den automatisk starte en varm/kald pakkeforsinkelse, og venter med å lade til batteriet har passende temperatur.

Etter dette skjer, vil laderen automatisk bytte over til pakkelademodus. Denne funksjonen sikrer maksimal levetid på batteriet. Det røde LED-lyset blinker i mønsteret indikert på merkelappen når varm/kald pakkeforsinkelse er oppdaget

Viktige merknader om lading

- ◆ Lang levetid og best ytelse oppnås dersom batteripakken lades med lufttemperatur mellom 60 °F og 80 °F (16°–27 °C).

- ◆ IKKE lade batteripakken med lufttemperatur under +40 °F (+4,5 °C) eller over +105 °F (+40,5 °C). Dette er viktig og vil forhindre alvorlig skade på batteripakken.
- ◆ Laderen og batteripakken kan være varme å ta på under lading. Dette er normalt og er ikke et tegn på et problem. For å muliggjøre bedre kjøling av batteripakken etter bruk, unngå å oppbevare laderen i varme omgivelser slik som et metallskur eller en uisolert trailer.
- ◆ Hvis batteripakken ikke lader skikkelig:
 - ◆ Kontroller strømmen i kontakten ved å sette inn en lampe eller et annet apparat
 - ◆ Kontroller at stikkkontakten er koblet til en lysbryter som slår av strømmen når du slår av lyset.
 - ◆ Flytt laderen og batteripakken til et sted hvor omgivelsestemperaturen er omtrent 60°F - 80°F (16°-27°C).
 - ◆ Hvis ladeproblemene vedvarer, ta verktøyet, batteripakken og laderen til ditt lokale servicesenter.
- ◆ Denne batteripakken må lades opp når den slutter å gi nok strøm til jobber som ble utført lett tidligere. I så fall, IKKE fortsett å bruke verktøyet. Følg ladeprosedyren. Du kan også lade opp en halvutladet pakke når som helst uten at det har noen effekt på batteripakken.
- ◆ Fremmedlegemer som kan lede strøm, inkludert, men ikke begrenset til stålull, aluminiumsfolie eller annen ansamling av metalliske partikler, må holdes unna åpningene i laderen.
 - Kople alltid laderen fra strømtilførselen når det ikke er en batteripakke i hulrommet. Kople fra laderen før rengjøring.
 - ◆ IKKE sprut på eller senke ned i vann eller andre væsker.

Advarsel! Ikke la væske komme inn i laderen.

FORSØK ALDRI Å ÅPNE BATTERIPAKKEN AV NOEN ÅRSÅK. DERSOM PLASTHUSET PÅ BATTERIPAKKEN KNEKKER ELLER FÅR SPREKKER, SEND DEN TIL ET SERVICESENTER FOR AVHENDING.

Batteri ladeindikator

Batteriet er utstyrt med en indikator for ladestatus. Denne kan brukes til å vise batteriets ladenivå under bruk og under lading. Den gir ingen indikasjon på om verktøyet fortsatt kan brukes, og kan variere med produktkomponentene, temperatur og brukerens bruksområde.

Sjekk av ladestatus:

- ◆ rykk på ladeindikatorknappen (12a).
- ◆ De tre LED-ene (12b) vil lyse opp og indikere ladeprosenten på batteriet. Se tabell i figur B.
- ◆ Hvis LED-lyset ikke lyser skal du lade batteriet.

Installere batteripakken (figur C, C1)

- ◆ øft dekselet på batterirommet (14) for å åpne batterirommet.

- ◆ Skyv batteriet (12) inn i batterirommet til det sitter godt og du hører et klikk (figur C).
Pass på at batteripakken sitter godt og er låst på plass. BCMW3318 har to batteriporter som vist på figur C1.
- ◆ Steng dekeleiet på batterirommet. Forsikre deg om at dekeleiet er helt igjen før du starter gressklipperen.

Ta ut batteripakken:

- ◆ Åpne batteridekeleiet (14) som beskrevet ovenfor.
- ◆ Trykk på batteriets låseknappe på batteripakken og dra batteripakken ut av verktøyet.

Montering

Advarsel! Før monteringen må du passe på at håndtaket er utløst.

Montering av nedre håndtak

- ◆ Skyv knappen (4a) på festeåpningen på nedre del av håndtaket (6) og sett inn nedre del av håndtaket (4).
Juster høyden etter behov.

Merk! Pass på at begge sidene av det nedre håndtaket er stilt inn på samme høyde.

Sette på øvre håndtak (figur H)

Det øvre håndtaket har tre forskjellige monteringshull for justering av håndtaket fra undersiden.

De første hullene ved bunnen av det øvre håndtaksrøret gir maksimal håndtakslengde. Du kan redusere håndtakslengden ved å bruke monteringsposisjonene øverst

- ◆ Ta av festeknottene (5) og boltene (5a) fra øvre del av håndtaket.
- ◆ Rett inn hullene nederst på øvre håndtak (3) med hullene på toppen av nedre håndtak (4).
- ◆ Fra utsiden av øvre håndtak (3), skyv spakeboltene gjennom hullene.
- ◆ Vri øvre håndtak til ønsket stilling.
- ◆ Trekk til øvre festeknotter (5).

Sikre motorkabelen (fig. I)

Advarsel! Fest kabelen slik at den ikke kommer i strekk eller klemmes i håndtaksleddene under bruk eller ved sammenfolding. Det kan skade strømkabelen.

Motorkabelen skal festes til håndtakene ved hjelp av kabelfestene som allerede er montert på håndtaket.

Før å feste kabelen til håndtaket:

- ◆ Sett håndtakene i bruksposisjon, se avsnittet «Sette på nedre håndtak».
- ◆ Før kabelen opp langs fronten av nedre og øvre håndtak.
- ◆ Trekk tilbake kabelfestet.
- ◆ Skyv motorkabelen under klippet og pass på at den holdes på plass av festet.

Bioklipping

Advarsel! Ta ut nøkkel og batteripakke før du tar av sideutkaster og gressoppsamleren og ved installasjon av bioklippenheten.

- ◆ Pass på at sideutkasteren gressoppsamleren ikke er satt på.
- ◆ Løft dekeleiet på bakdøren (9) og skyv bioklippenheten helt inn i gressklipperen
- ◆ Pass på at dekeleiet på bakdøren lukker helt før du slår på gressklipperen.

Bruk

Les denne bruksanvisningen før du bruker gressklipperen. Se «egenskaper» for å bli kjent med hvor ulike kontroller og justeringer er plassert. Ta vare på denne bruksanvisning for fremtidig bruk.

Advarsel! La gressklipperen arbeide i sin egen hastighet. Må ikke overbelastes.

Advarsel! Skarpt blad i bevegelse. Ikke bruk gressklipperen i sideutkaster- eller bioklippenhetsmodus hvis ikke bakdøren er lukket med fjærspenning. Dette kan føre til alvorlig personskade. Ta med gressklipperen til nærmeste servicesenter hvis du må reparere den.

Justere klippehøyde

Skjærehøyden justeres med den sentrale høydejusteringsspaken.

Merk! Dersom du ikke er sikker på hvor mye gresset skal klippes, start med høydejusteringsspaken (7) i riktig posisjon. Juster ned høyden etter behov.

Montere gressoppsamleren (figur F og G)

- ◆ Løft dekeleiet på bakdøren (9) som vist i figur (F).
- ◆ Sett gressoppsamleren (8) på gressklipperen slik at krokene på posen (8a) hviler på knastene (8b) som vist i figur (G). Senk bakdøren.

Starte gressklipperen (figur H)

Advarsel! Skarpt blad i bevegelse. Du må aldri forsøke å overstyre funksjonen til denne bryterboksen. Dette kan medføre alvorlig personskade.

Merk! Gressklipperen kan brukes når batteri/batterier er installert.

- ◆ Denne gressklipperen er utstyrt med en spesiell av-på bryterboks. Sett i gang gressklipperen ved å trykke på bryteren (1a) på koblingsboksen (1) og trekke sikkerhetshåndtaket (2) mot håndtaket som vist på figur H. Når gressklipperen starter, kan du slippe knappen.
- ◆ For å slå av gressklipperen, slipp sikkerhetshåndtaket.

Advarsel! Ikke prøv å låse en bryter eller sikkerhetshåndtak (2) i stillingen «på».

Merk: Når sikkerhåndtaket har vendt tilbake til den opprinnelige posisjonen, vil dette aktivere den automatiske bremsemekanismen. Motoren bremses elektrisk, og bladet på gressklipperen slutter å rotere innen 3 sekunder eller mindre.

Overbelastning av gressklipper

For å forhindre skade på grunn av overbelastning skal du ikke prøve å fjerne for mye gress om gangen. Senk farten, eller hev klippehøyden.

Lagring

Advarsel! Det roterende bladet kan føre til alvorlig personskade.

Slipp sikkerhåndtaket (2) for å slå gressklipperen av, og ta ut batteriet før du løfter, transporterer eller oppbevarer gressklipperen. Oppbevar den på et tørt sted.

Advarsel! For å unngå klemming, hold fingrene unna området mellom håndtakene når du folder ned håndtakene.

Advarsel! Pass på at kabelen ikke strekkes eller kommer i klem i håndtaksleddene ved folding. Det kan skade strømkabelen.

Håndtaket på gressklipperen kan enkelt foldes ned for rask og enkel lagring.

Bære gressklipperen

- ◆ Du kan bære gressklipperen i de praktiske bærehåndtakene (10). **IKKE** forsøk å løfte gressklipperen ved å gripe i øvre håndtak (3) eller nedre håndtak (4).

Klippetips

Advarsel! Sjekk alltid området der gressklipperen skal brukes, og fjern alle steiner, pinner, tråd, bein og annet avfall som snøfreseren kan kaste ut.

Advarsel! Slå gresset på langs i skråninger, aldri opp og ned. Vær svært forsiktig når du endrer retning i skråninger. Ikke klipp gresset i svært bratte skråninger. Pass på at du alltid opprettholder et godt fotfeste.

- ◆ Slipp sikkerhåndtaket for å slå gressklipperen «av» når du krysser områder med grus (steiner kan bli kastet ut av det roterende bladet).
- ◆ Still gressklipperen inn på den høyeste klippehøyden når du beveger deg på ujevnt underlag eller over høyt ugress. Hvis du slår for store mengder gress samtidig, kan motoren bli overbelastet og gressklipperen stoppe. Se i problemløsningsveiledningen.
- ◆ Hvis du bruker gressoppsamleren (8) i løpet av høysesongen for vekst, kan gresset ha en tendens til å samle seg i utmatingsåpningen. Slipp sikkerhåndtaket for å slå gressklipperen av, og ta ut sikkerhetsnøkkelen. Ta ut gressposen, og rist gresset bakover i den. Fjern gress eller avfall som kan ha samlet seg rundt utmatingsåpningen. Skift ut gressoppsamleren.

- ◆ Dersom gressklipperen begynner å vibrere unormalt, slipp sikkerhåndtaket for å slå av gressklipperen og ta ut sikkerhetsnøkkelen. Se straks etter årsaken. Vibrasjoner er vanligvis et varsel om problemer. Ikke bruk gressklipperen før det er blitt utført en servicekontroll. Se i problemløsningsveiledningen i håndboken.
- ◆ Slipp alltid sikkerhåndtaket for å slå gressklipperen av når den er uten tilsyn, selv om det bare er for en kort periode.

Råd for optimal ytelse

- ◆ Senk farten på steder der gresset er spesielt langt eller tykt.
- ◆ Unngå å slå gress når det er vått av regn eller dugg.
- ◆ lipp plenen regelmessig, særlig i perioder når gresset vokser mye.

Merk: Det anbefales at gressklipperen lades opp etter bruk, det vil øke levetiden på batteriet.

Hyppig lagring vil ikke skade batteriet, og sikrer at batteriet er oppladet og klart for bruk neste gang. Dersom du oppbevarer batteriet delvis ladet, reduseres levetiden på batteriet.

Ta av og sette på blad

Advarsel! Når du setter på igjen bladsystemet, pass på å sette inn alle delene korrekt som beskrevet under.

Feil montering av bladsystemet kan føre til alvorlige personskader.

Advarsel! Slipp sikkerhåndtaket for å slå gressklipperen av, vent til bladet stopper og koble fra gressklipperen.

- ◆ Kapp til et trestykke av 2x4 plank (14) (omtrent 610 mm lang) for å holde bladet fra å rotere når du tar ut boltene (13).
- ◆ Bruk hansker og tilfredsstillende øyebeskyttelse.
- ◆ Legg gressklipperen på siden. Vær forsiktig med de skarpe kantene på bladet. Plasser trestykket og skru ut boltene en 13 mm skrunøkkel (36) som vist i figur I.
- ◆ Merk retningen på hver del du fjerner. Fjern bolt (15) og skiven (16). Trekk av skiven (17) som vist i figur J. Undersøk alle delene for skader og skift ut om nødvendig.
- ◆ Bladet kan bare settes på viften (20) i en retning. Sett på igjen ved å rette inn det D-formede hullet i bladet med den D-formede knasten på viften. Pass på at skriften på bladet peker bort fra gressklipperen.
- ◆ Stram inn ved å sette trestykket som vist i figur K for å holde bladet fra rotasjon. Skyv boltene gjennom skiven og stram boltene på plass mot klokken med en 13 mm skrunøkkel (13) som vist på figur K.

Slipe bladet

Hold bladet skarpt for å oppnå best mulig resultat. Et sløvt blad klipper ikke gresset rent. Bruk tilfredsstillende øyebeskyttelse når du demonterer, sliper og monterer et blad. Pass på at sikkerhetsnøkkelen og batteripakken er tatt ut.

I normale forhold er det vanligvis tilstrekkelig å slipe bladet to ganger i løpet av en klippesesong.

Sand gjør at bladet blir raskt sløvt. Hvis plenen har sandete jordbunn, kan det være nødvendig å slipe oftere.

Merk: Skift straks ut bøyde eller skadde blad.

Når du sliper bladet:

- ◆ Sørg for at bladet holder seg balansert.
- ◆ Slip bladet i den opprinnelige klippevinkelen.
- ◆ Slip klippkantene på begge endene av bladet, og ta vekk like mye materiale på begge ender.

Slik sliper du blad i en skrustikke (figur L)

- ◆ ass på at sikkerhåndtaket er løst, at bladet har stoppet og at gressklipperen er frakoblet før du tar av bladet.
- ◆ Ta bladet av gressklipperen. Se anvisningene om montering og demontering av bladet.
- ◆ Sikre bladet (17) i en skrustikke.
- ◆ Bruk vernebriller og hansker, vær forsiktig så du ikke skjærer deg.
- ◆ Fil forsiktig på bladets egger med en fintannet fil eller et bryne, oppretthold den opprinnelige eggen. Kontroller at bladet er i balanse. Se anvisningene om bladbalansering.
- ◆ Sett bladet på gressklipperen igjen og stram godt.

Balansering av blad

Du kan kontrollere bladets (17) balanse ved å sette en spiker eller en skrutrekker med rund klinge som er spent fast horisontalt i en skrustikke, gjennom midthullet på bladet. Hvis noen av endene på bladene roterer nedover, fil langs den skarpe kanten på det hengende bladet. Bladet er korrekt balansert når ingen ende svinger ned.

Smøring

Det er ikke nødvendig med smøring. Du må ikke olje hjulene. De har hullagre med overflater i plast som ikke trenger smøring.

Rengjøring

Slipp sikkerhåndtaket (2) for å slå av gressklipperen, la bladet stoppe. Bare bruk mild såpe og en fuktig klut til å rengjøre gressklipperen. Rengjør for avklipp som kan ha samlet seg på undersiden. Etter flere gangers bruk, kontroller at alle utsatte fester er stramme.

Forhindre rust

Kunstgjødsel og andre hagekjemikalier inneholder stoffer som fører til at metaller ruster fortere. Hvis du klipper i områder hvor det er blitt brukt kunstgjødsel eller kjemikalier, bør gressklipperen straks rengjøres på følgende måte: Slipp sikkerhåndtaket (2) for å slå gressklipperen av, og koble fra gressklipperen. Tørk alle utsatte deler med en fuktig klut.

Vedlikehold

BLACK+DECKER maskinen/-verktøyet med eller uten ledning er laget for å brukes over lang tid med et minimum av vedlikehold. Verktøyet/apparatet er avhengig av riktig stell og regelmessig rengjøring for å fungere som det skal til enhver tid.

Advarsel! Før du utfører vedlikehold på elektriskdrevet/batteridrevet elektroverktøy:

- ◆ Slå av apparatet/verktøyet og trekk ut støpselet.
- ◆ Eller la batteriet gå helt tomt hvis det er innebygd, og slå deretter av.
- ◆ Trekk ut laderen fra stikkkontakten før du rengjør den. Laderen krever ikke annet vedlikehold enn regelmessig rengjøring.
- ◆ Rengjør regelmessig ventilasjonssporene i verktøyet/maskinen og laderen ved hjelp av en myk børste eller tørr klut.
- ◆ Rengjør motorhuset regelmessig med en fuktig klut. Ikke bruk slipende eller løsemiddelbaserte rengjøringsmidler.
- ◆ ruk et butt skraperedskap regelmessig for å fjerne gress og jord fra undersiden av vernet.

Feilsøking

Hvis apparatet ikke fungerer som det skal, følger du instruksjonene nedenfor.

Hvis problemet ikke løses, kontakter du ditt lokale BLACK+DECKER-serviceverksted.

Advarsel! Før du fortsetter, slipper du sikkerhåndtaket for å slå gressklipperen av, og venter til bladet stopper.

Problem	Mulig løsning
Gressklipperen vil ikke gå når sikkerhåndtaket er aktivert.	Pass på at gressklipperen er skikkelig tilkoblet og at knappen på bryterboksen er skikkelig presset sammen for du drar i sikkerhåndtaket.
	Slipp sikkerhåndtaket for å slå gressklipperen av. Ta ut batteripakken, snu gressklipperen og kontroller at bladet kan rotere fritt.
	Kontroller at batterihullet er rent for avfall, og at det er riktig tilkoblet. Er batteriet ladet helt opp? Trykk på ladeknappen.
Motoren stopper under klipping.	Slipp sikkerhåndtaket for å slå gressklipperen av. Ta ut batteripakken, snu gressklipperen og kontroller at bladet kan rotere fritt.
	Hev hjulenes klippehøyde til høyeste posisjon, og start gressklipperen.
	Kontroller at batterihullet er rent for avfall, og at det er riktig tilkoblet. Er batteriet ladet helt opp? Trykk på ladeknappen
	Ikke overbelast gressklipperen. Senk farten, eller hev klippehøyden.

Problem	Mulig løsning
Gressklipperen er i gang, men klippeytelsen er utilfredstillende,	<p>Slipp sikkerhåndtaket for å slå gressklipperen av. Koble fra gressklipper. Legg gressklipperen på siden og kontroller:</p> <ul style="list-style-type: none"> At bladet er skarpt – hold bladet skarpt. Om undersiden og utmatingen er tilstoppet. <p>Innstillingen av hjulhøyden kan være for lav for gressforholdene. Hev klippehøyden.</p>
Det er unormalt tungt å skyve gressklipperen.	Slipp sikkerhåndtaket for å slå gressklipperen av. Koble fra gressklipper. Hev klippehøyden for å hindre at gressklipperen sleper i gresset. Kontroller at alle hjul roterer fritt
Gressklipperen bråker unormalt og vibrerer.	<p>Slipp sikkerhåndtaket for å slå gressklipperen av, og ta ut batteripakken. Legg gressklipperen på siden, og kontroller at bladet ikke har blitt bøyd eller skadet. Hvis bladet er skadet, skifter du det ut med et nytt blad fra BLACK+DECKER. Hvis gressklipperens underside er skadet, leverer du inn gressklipperen til et autorisert BLACK+DECKER-servicenter.</p> <p>Hvis det ikke er noen synlig skade på bladet og gressklipperen fremdeles vibrerer:</p> <ul style="list-style-type: none"> Slipp sikkerhåndtaket for å slå gressklipperen av. Ta ut batteripakken. Demonter hele bladmodulen som beskrevet i avsnittet «Ta av og sette på bladet». Fjern avfall og rens alle delene. Sett på igjen alle delene som beskrevet i avsnittet «Ta av og sette på bladet». <p>Hvis gressklipperen fremdeles vibrerer, leverer du inn gressklipperen til et autorisert BLACK+DECKER-servicenter.</p>
Batteriladerens LED-lys er ikke på.	<p>Sjekk kontaktkoblingen.</p> <p>Bytt ut laderen.</p>
Gressklipperen samlar ikke opp gresset.	<p>Utmatingen er tilstoppet. Slipp sikkerhåndtaket for å slå gressklipperen av. Ta ut batteripakken. Fjern gress fra utmatingen.</p> <p>Hev hjulenes klippehøyde for å klippe mindre gress.</p> <p>Gressoppsamleren er full. Tøm gressoppsamleren oftere.</p>

Batterier				Ladere (minutter)					
Kaf#	Vdc	Ah	Vekt kg	Kaf#	9509287*	N517388*	BDC1A	BDC2A	BDC2A36
				Amp	400mA	1A	1A	2A	1,35A
BL1518	18	1,5	0,38	BL1518	225	90	90	45	X
BL1518ST	18	1,5	0,38	BL1518ST	225	90	90	45	X
BL2018	18	2,0	0,39	BL2018	300	120	120	60	X
BL2018ST	18	2,0	0,39	BL2018ST	300	120	120	60	X
BL2518	18	2,5	0,43	BL2518	380	150	150	75	X
BL4018	18	4,0	0,64	BL4018	600	240	240	120	X
BL5018	18	5,0	0,7	BL5018	750	300	300	135	X
BL20362	36	2,0	0,64	BL20362	X	X	X	X	90
BL2536	36	2,5	0,68	BL2536	X	X	X	X	110
BL1554	18/54	1,5	1,08	BL1554	225	90	90	45	X
BL2554	18/54	2,5	1,2	BL2554	380	150	150	75	X

Vektet vibrasjonsverdi for hånd/arm:
= $2,5 \text{ m/s}^2$, usikkerhet (K) = 1,5m/s².

L_{in} (lydtrykk) 74,5 dB(A)
usikkerhet (K) = 2,5 dB(A)
 L_{WA} (lydeffekt) 86 dB(A)
usikkerhet (K) = 1,5 dB(A)

EF-samsvarserklæring
MASKINDIREKTIVET
DIREKTIV FOR UTENDØRSSTØY



BCMW3318, BCMW3336 gressklipper

Black & Decker erklærer at disse produktene, som er beskrevet under "Tekniske data", er i samsvar med:
2006/42/EC, EN 60335-1:2012 + A11:2014,
EN 60335-2-77:2010

2000/14/EF, gressklipper, L < 50 cm, vedlegg VI,
DEKRA Certification B.V. Meander 1051 / P.O. Box 5185
6825 MJ ARNHEM / 6802 ED ARNHEM, Netherlands
ID-nummer for varslet organ: 0344
Nivå for akustisk effekt i henhold til 2000/14/EU (artikkel 12,
vedlegg III, L < 50 cm):
 L_{WA} (målt lydeffekt) 86 dB(A)
usikkerhet (K) = 1,5 dB(A)
 L_{in} (garantert lydeffekt) 96 dB(A)

Disse produktene er også i samsvar med direktiv 2014/30/EU og 2011/65/EU. Hvis du ønsker mer informasjon, kan du kontakte Black & Decker på adressen under eller se baksiden av bruksanvisningen.

Miljøvern



Separat avfallshåndtering. Produkter og batterier merket med dette symbolet skal ikke kastes i vanlig husholdningsavfall.

Produkter og batterier inneholder materialer som kan gjenbrukes eller gjenvinnes for å redusere behovet for nye råmaterialer. Vennligst lever elektrisk utstyr og batterier til gjenbruk i henhold til lokale retningslinjer. Mer informasjon finner du på www.2helpU.com

Tekniske data

		BCMW3318	BCMW3336
Spenning	Vdc	18V	36V
Hastighet uten belastning	min ⁻¹	3800RPM	3800RPM
Vekt	kg	15	15
Bladlengde	cm	33	33

Undertegnede er ansvarlig for utarbeidelsen av den tekniske dokumentasjonen og gir denne erklæringen på vegne av Black & Decker.



Becky Cotsworth
Direktør – Outdoor Products Group
Black & Decker Europe, 270 Bath Road, Slough,
Berkshire, SL1 4DX
Storbritannia
11/10/2019

Garanti

Black & Decker er trygg på kvaliteten av produktene sine og tilbyr en 24 måneders garanti fra kjøpsdato. Denne garanti75-erklæringen kommer i tillegg til dine lovbestemte rettigheter og er ikke i konflikt med disse. Garantien er gyldig innen områdene tilhørende medlemslandene i den Europeiske Union (EU) og det Europeiske Frihandelsområdet (EFTA).

For å ta garantien i bruk må kravet være i samsvar med kjøpsbetingelsene fra Black&Decker og du må vise kjøpskvittering til forhandleren eller til et autorisert serviceverksted. Betingelsene for Black&Deckers 2 års garanti og adressen til din nærmeste autoriserte serviceverksted kan du finne på internett under www.2helpU.com, eller ved å kontakte ditt lokale Black & Decker kontor, adressen er angitt i denne bruksanvisningen.

Besøk våre nettsider på www.blackanddecker.no for å registrere ditt nye Black & Decker-produkt og for å få informasjon om nye produkter og spesialtilbud.

Tilsigtet brug

Dine BLACK+DECKER BCMW3318, BCMW3336 plæneklippere er designet til græsslåning. Disse apparater er kun beregnet til privat brug.

Sikkerhedsinstruktioner

Advarsel! Ved anvendelse af ledningsfri apparater skal grundlæggende sikkerhedsforholdsregler inkl. nedenstående altid følges, så risikoen for brand, elektrisk stød, personskade og materiel skade undgås.

Advarsel! Sikkerhedsreglerne skal følges ved brug af maskinen.

Læs denne vejledning, før du bruger maskinen, af hensyn til din egen og omkringståendes sikkerhed. Gem vejledningen til senere brug.

- ◆ Læs hele vejledningen omhyggeligt, før du bruger apparatet.
- ◆ Den tilsigtede brug er beskrevet i denne vejledning. Brugen af ekstraudstyr eller tilbehør eller udførelse af andet arbejde med dette apparat end det, der anbefales i denne vejledning, kan udgøre en fare for kvæstelser.
- ◆ Opbevar denne vejledning til senere brug.

Brug af apparatet

Vær altid opmærksom ved brugen af apparatet.

- ◆ Dette apparat må ikke bruges af børn eller svagelige personer uden opsyn.
- ◆ Apparatet må ikke bruges som legetøj.
- ◆ Lad ikke børn eller dyr komme i nærheden af arbejdsområdet eller røre ved apparatet eller strømforsyningsledningen.

- ◆ Vær meget opmærksom, når apparatet benyttes i nærheden af børn.
- ◆ Apparatet må kun bruges på tørre steder. Lad ikke apparatet blive vådt. Apparatet må ikke nedsænkes i vand.
- ◆ Kabinettet må ikke åbnes. Der er ingen dele indeni, der kan serviceres af brugeren.
- ◆ Brug ikke apparatet i eksplosive omgivelser, f.eks. hvor der er brændbare væsker, gasser eller støv.
- ◆ For at reducere risikoen for beskadigelse af stik og ledninger må du aldrig trække i ledningen for at tage stikket ud af en stikkontakt.
- ◆ Inspicer altid visuelt, at knivene, knivboltene og knivsamlingen ikke er slidt eller beskadiget, før du bruger maskinen.
Udskift slidte eller beskadigede knive og bolte i sæt for at bevare balancen.
- ◆ Med henblik på at undgå en fare forårsaget af utilsigtet nulstilling af den termiske afbryder må dette apparat hverken forsynes gennem en ekstern koblingsanordning, som f.eks. en timer, eller sluttes til et kredsløb, der regelmæssigt tændes og slukkes af forsyningsenheden.
- ◆ Brug aldrig maskinen, mens der er andre i nærheden, især børn eller kæledyr.
- ◆ Vær opmærksom på, at brugeren er ansvarlig for ulykker eller risici, som andre eller andres ejendom udsættes for.

Før brug

- ◆ Brug altid kraftigt fodtøj og lange bukser under anvendelse af maskinen. Betjen ikke maskinen uden sko eller iført sandaler. Undgå at bære løstsiddende tøj eller tøj med hængende snore eller bånd.
- ◆ Inspicer grundigt det område, hvor maskinen skal bruges, og fjern alle objekter, som maskinen kan kaste ud.
- ◆ Inspicer altid visuelt, at kniven, knivboltene og knivsamlingen ikke er slidt eller beskadiget, før du bruger maskinen. Udskift slidte eller beskadigede komponenter i sæt for at bevare balancen. Udskift beskadigede eller ulæsbare etiketter.

Efter brug

- ◆ Opbevar apparatet på et tørt, godt ventileret sted uden for børns rækkevidde, når det ikke er i brug.
- ◆ Børn må ikke have adgang til opbevarede apparater.
- ◆ Når apparatet opbevares eller transporteres i et køretøj, skal det anbringes i bagagerummet eller fastgøres for at forhindre bevægelse som følge af pludselige ændringer i hastighed eller retning.

Eftersyn og reparationer

- ◆ Kontroller apparatet for beskadigede eller defekte dele før brug. Se efter knækkede dele, skader på kontakter og eventuelle andre tilstande, der kan påvirke apparatets funktion.

- ◆ Brug ikke apparatet med beskadigede eller defekte dele.
- ◆ Få beskadigede eller defekte dele repareret eller udskiftet på et autoriseret værksted.
- ◆ Forsøg aldrig at fjerne eller udskifte dele ud over dem, der er beskrevet i denne vejledning.
- ◆ Vær forsigtig under justering af plæneklipperen for at forhindre, at fingre fanges mellem klinger/dele i bevægelse og faste dele på maskinen.
- ◆ Vær under servicering af klingerne opmærksom på, at selvom strømmen er afbrudt, kan klingerne stadig bevæge sig.
- ◆ Slip aktiveringsbøjlen for at slukke for plæneklipperen, hvis den står stille, vent indtil klingene er stoppet, før blokeringer i udkastet eller under skjoldet fjernes.
- ◆ Hold hænder og fødder væk fra skæreamrådet.
- ◆ Hold klingerne skarpe. Brug altid beskyttelseshandsker ved håndtering af plæneklipperkniven.
- ◆ Hvis du bruger græsopsamleren, kontrollér den jævnligt for slid og beskadigelse. Udskift den af hensyn til din egen sikkerhed, hvis den er meget slidt.
- ◆ Vær yderst forsigtigt, når du bakker eller trækker plæneklipperen imod dig selv.

Yderligere sikkerhedsvejledning for plæneklippere

- ◆ Undlad at transportere maskinen, mens strømkilden kører
- ◆ Hold godt fast i håndtaget med begge hænder, når du bruger plæneklipperen.
- ◆ Hvis det bliver nødvendigt at vippe plæneklipperen, skal du have begge hænder i arbejdsstilling, mens den vippes. Hold begge hænder i arbejdsstilling, til apparatet står sikkert på jorden igen.
- ◆ Lyt aldrig til radio eller musik i hovedtelefoner, mens du bruger plæneklipperen.
- ◆ Juster aldrig hjulenes højde, mens motoren kører, eller mens sikkerhedsnøglen sidder i.
- ◆ Sæt ikke hænder eller fødder ind under plæneklipperen. Hold altid afstand til udkaståbningen.
- ◆ Ryd det område, hvor plæneklipperen skal bruges, for genstande såsom sten, pinde, ståltråd, legetøj, ben etc., som kniven kan kaste rundt med. Genstande, der rammes af kniven, kan forårsage alvorlig personskade. Bliv bag håndtaget, når motoren kører.
- ◆ Kør ikke med plæneklipperen med bare fødder eller iført sandaler. Bær altid solidt fodtøj.
- ◆ Træk ikke plæneklipperen baglæns, medmindre det er strengt nødvendigt. Se altid ned og bag dig, når du trækker plæneklipperen baglæns.
- ◆ Ret aldrig det udkastede materiale mod andre. Undgå af kaste materiale ud mod en mur eller en forhindring.

Materialet kan springe tilbage mod brugeren. Slip aktiveringsbøjlen for at slukke plæneklipperen og stoppe klingen, når grusbelaagte flader passerer.

- ◆ Brug ikke plæneklipperen, før græsopsamlern, udkastskærmen, den bageste skærm eller andre sikkerheds- og beskyttelsesanordninger er monteret og fungerer. Kontroller jævnligt, at alle skærme og sikkerheds- og beskyttelsesanordninger er i god stand og fungerer korrekt, så de opfylder deres formål.

Udskift beskadigede skærme og andre sikkerhedsanordninger, før maskinen tages i brug igen.

- ◆ Efterlad aldrig plæneklipperen uden opsyn, mens motoren kører.
- ◆ Slip altid aktiveringsbøjlen for at stoppe motoren, vent til kniven står helt stille, før du rengør plæneklipperen, afmonterer græsposen, fjerner blokeringer under udkastskærmen, forlader plæneklipperen eller foretager justeringer, reparationer eller inspektioner.
- ◆ Brug kun plæneklipperen i dagslys eller ved godt kunstigt lys, hvor genstande i knivens bane er tydeligt synlige fra plæneklipperens betjeningsområde.
- ◆ Kør ikke med plæneklipperen under indflydelse af alkohol eller narkotika, eller hvis du er træt eller syg.

Vær altid opmærksom, hold øje med, hvad du laver og brug din sunde fornuft.

- ◆ Undgå farlige omgivelser. Brug aldrig plæneklipperen i fugtigt eller vådt græs, eller når det regner. Sørg altid for godt fodfæste; gå, løb ikke.
- ◆ Slip aktiveringsbøjlen, vent til klingens stopper, hvis plæneklipperen begynder at vibrere unormalt. Kontroller derefter omgående årsagen. Vibration er generelt en advarsel om et problem; se fejlsøgningsvejledningen for at få hjælp ved unormal vibration.
- ◆ Bær altid korrekt øjen- og åndedrætsbeskyttelse, når du bruger plæneklipperen.
- ◆ Brugen af ekstraudstyr eller tilbehør, som ikke anbefales til brug sammen med denne plæneklipper, kan være farligt. Brug kun ekstraudstyr, der er godkendt af BLACK+DECKER.
- ◆ Stræk dig ikke for langt, mens du bruger plæneklipperen. Sørg altid for at have sikkert fodfæste og balance, når du bruger plæneklipperen.
- ◆ Arbejd på tværs af skråninger, aldrig op og ned. Vær især forsigtig, når du ændrer retning på skråninger.
- ◆ Hold øje med huller, hjulspor, sten og andre skjulte genstande. Du kan skride eller falde i ujævnt terræn og komme til skade. Højt græs kan dække over forhindringer.
- ◆ Slå ikke vådt græs eller græs på meget stejle skråninger. Et dårligt fodfæste kan få dig til at skride eller falde, så du kommer til skade.

- ◆ Slå ikke græs i nærheden af skrænter, grøfter eller volde.
Du kan miste fodfæstet eller balancen.
- ◆ Lad altid plæneklipperen køle ned, inden den sættes væk.

Træk stikket ud af kontakten, og træk batteripakken ud af maskinen. Sørg for, at alle dele i bevægelse er helt stoppet:

- ◆ Hver gang du forlader maskinen;
- ◆ Før du rengør en blokering;
- ◆ Før du kontrollerer, rengør, justerer eller arbejder på apparatet.

Andres sikkerhed

- ◆ Dette udstyr er ikke beregnet til anvendelse af personer (inklusive børn) med nedsatte fysiske, sensoriske eller mentale handicaps eller med mangel på erfaringer eller viden, medmindre de er under overvågning eller har fået instruktioner i brugen af udstyret af en person, der er ansvarlig for deres sikkerhed.
- ◆ Børn skal overvåges for at sikre, at de ikke leger med apparatet.
- ◆ Når du har ramt et fremmedlegeme. Se apparatet efter for skader, og reparer efter behov;

Resterende risici.

Der kan opstå yderligere, tilbageværende risici under brugen af apparatet, som muligvis ikke behandles i de vedlagte sikkerhedsadvarsler. Disse risici kan opstå pga. forkert anvendelse, langvarig brug etc.

Selv ved overholdelse af relevante sikkerhedsforskrifter og anvendelse af sikkerhedsudstyr kan visse resterende risici ikke undgås. Disse omfatter:

- ◆ Tilskadekomst forårsaget af berøring af roterende/bevægelige dele.
- ◆ Tilskadekomst forårsaget af udskiftning af dele, klinger eller tilbehør.
- ◆ Tilskadekomst forårsaget af langvarig brug af et værktøj. Husk at holde pause jævnligt ved brug af et apparat i længere tid.
- ◆ Hørenedsættelse.
- ◆ Sundhedsrisici forårsaget af indånding af støv, der genereres ved brug af værktøjet (eksempel: arbejde med træ, især, eg, bøg og MDF.)
- ◆ Hvis de er uundgåeligt at betjene kompostkværnen på et fugtigt sted, skal der bruges en fejlstrømsafbryder (RCD) med en aktiveringsstrøm på højst 30 mA.
Ved at benytte en fejlstrømsafbryder reduceres risikoen for elektrisk stød.
- ◆ Du må aldrig løfte eller bære et apparat, mens motoren kører.

Advarselssymboler

Følgende advarselssymboler findes på apparatet sammen med datokoden:



Advarsel! Læs vejledningen inden brug.



Udsæt ikke apparatet for regn eller høj fugtighed.



Pas på skarpe knive.

Klinger fortsætter med at rotere, efter at motoren er stoppet – Fjern deaktiveringsenhed inden vedligeholdelse, eller hvis ledning er beskadiget.



Pas på flyvende genstande. Hold omkringstående på afstand af klippeområdet.



Brug øjevern



Kniven fortsætter med at rotere, efter at maskinen er slukket.



Direktiv 2000/14/EF garanteret lydeffekt.

Yderligere sikkerhedsvejledninger til batterier og opladere

Batterier

- ◆ Forsøg aldrig at åbne den af en eller anden grund.
- ◆ Batteriet må ikke udsættes for fugt.
- ◆ Batteriet må ikke udsættes for varme.
- ◆ Må ikke opbevares på steder, hvor temperaturen kan overstige 40°C.
- ◆ Oplad kun ved omgivelsestemperaturer på mellem 10°C og 40°C.
- ◆ Brug kun den oplader, der fulgte med apparatet/værktøjet, til opladning. Brug af den forkerte oplader kan medføre elektrisk stød eller overophedning af batteriet.

- ◆ Følg vejledningen i afsnittet "Miljøbeskyttelse" ved bortskaffelse af batterier.
- ◆ Undgå at beskadige/deformere batteripakken ved at punktere den eller slå på den, da dette kan forårsage risiko for tilskadekomst eller brand.
- ◆ Beskadigede batterier må ikke oplades.
- ◆ Under ekstreme forhold kan der forekomme batterilækage. Hvis du bemærker væske på batterierne, skal du omhyggeligt tørre den af med en klud. Undgå kontakt med huden.
- ◆ I tilfælde af kontakt med hud eller øjne, skal du følge nedenstående anvisninger.

Advarsel! Batterivæsken kan forårsage personskade eller beskadigelse af ejendom. I

tilfælde af kontakt med huden skylles straks med vand.

Søg læge, hvis der opstår rødme, smerte eller irritation. Skyl straks med rent vand, og søg læge i tilfælde af kontakt med øjnene.



Forsøg ikke at oplade beskadigede batterier

Oplader

Opladeren er udviklet til en specifik spænding.

Kontroller altid, at netspændingen svarer til spændingen på typeskiltet.

Advarsel! Forsøg aldrig at erstatte opladerenheden med et almindeligt netstik.

- Brug kun din Black & Decker-lader til at oplade batteriet i det apparat/værktøj, som den blev leveret sammen med. Andre batterier kan eksplodere og forårsage kvæstelser og materielle skader.
- Forsøg aldrig at oplade ikke-genopladelige batterier.
- Hvis netledningen beskadiges, skal den udskiftes af producenten eller et autoriseret Black & Decker-værksted, så farlige situationer undgås.
- Opladeren må ikke udsættes for fugt.
- Opladeren må ikke åbnes.
- Opladeren må ikke undersøges.
- Apparatet/værktøjet/batteriet skal anbringes et sted med god udluftning, når det oplades.



Opladeren er kun beregnet til indendørs brug.



Læs brugervejledningen, før værktøjet tages i brug.

Elektricitet og sikkerhed



Opladeren er dobbelt isoleret. Derfor er en jordledning ikke

nødvendig.

Kontroller altid, at netspændingen svarer til spændingen på typeskiltet. Forsøg aldrig at erstatte opladerenheden med et almindeligt netstik.

- Hvis netledningen beskadiges, skal den udskiftes af producenten eller et autoriseret Black & Decker-værksted, så farlige situationer undgås.

Funktioner

Dette apparat leveres med nogle af eller alle de følgende komponenter.

1. Omskifterboks
2. Båndhåndtag
3. Øverste håndtag
4. Nederste håndtag
5. Fastgørelsesknapper til øverste håndtag (2)
6. Fastgørelsesport til nederste håndtag (2)
7. Justeringsgreb til skærehøjde
8. Græsopsamlingspose
9. Dæksel til bagdør
10. Bærehåndtag

Opladningsprocedure

BLACK+DECKER opladere er designet til at oplade BLACK+DECKER batteripakker.

- Indsæt opladeren i en passende udgang, før batteripakken indsættes.
- Indsæt batteripakken i opladeren.



Den grønne LED blinker for at vise, at batteriet oplades



Når opladningen er færdig, vil det blive angivet af den grønne LED, som vil lyse konstant. Pakken er fuldt opladet og kan nu anvendes eller kan efterlades i opladeren

Advarsel! Genoplad afladede batterier så hurtigt som muligt efter brug, da batteriets levetid ellers kan blive stærkt formindsket.

Fejlsøgning på opladeren

Denne oplader er udviklet til at registrere visse problemer, der kan opstå med batteripakker eller strømkilden. Problemerne angives med et LED blink i forskellige mønstre.

Dårligt batteri



Opladeren kan registrere et svagt eller beskadiget batteri.

Det røde LED blinker i det mønstre, der er angivet på mærkaten. Hvis du ser dette dårlige batteriblinkmønster, forsæt ikke med at oplade batteriet.

Returnér det til et servicecenter eller til et indsamlingssted til genbrug

Varm/kold pakkeforsinkelse



Når opladeren registrerer et batteri, der er alt for varmt eller alt for koldt, starter den automatisk en varm/kold pakkeforsinkelse og indstiller opladningen, indtil batteriet er blevet normaliseret.

Efter dette er sket, skifter opladeren automatisk til pakkeopladningsfunktionen.

Denne funktion sikrer maksimal batterilevetid. Det røde LED blinker i det mønstre, der er angivet på mærkaten, når varm/kold pakkeforsikelsen registreres

Vigtige bemærkninger om opladning

- ◆ Den længste levetid og bedste ydeevne kan opnås, hvis batteripakken oplades, når lufttemperaturen er mellem 16° og 27°C (60° - 80°F).
- ◆ Oplad IKKE batteripakken i en lufttemperatur under +4,5°C (+40°F) eller over +40,5°C (+105°F). Dette er vigtigt og vil forhindre alvorlig beskadigelse af batteripakken.
- ◆ Opladeren og batteripakken kan blive for varm at røre ved under opladning. Dette er normalt og angiver ikke et problem. For at lette køling af batteripakken efter brug, undgå at placere opladeren eller batteripakken i varme omgivelser, som f.eks. i et metalskur eller i en uisoleret trailer.
- ◆ Hvis batteripakken ikke oplades ordentligt:
 - ◆ Kontroller strømstikket ved at tilslutte en lampe eller et andet
 - ◆ Kontroller for at se om kontakten er tilsluttet til en lyskontakt, som slår strømmen fra, når du slukker for lysene.
 - ◆ Flyt opladeren og batteripakken til et sted, hvor den omgivende lufttemperatur er ca. 16° - 27°C (60°F - 80°F).
 - ◆ Hvis der stadig er opladningsproblemer, tag værktøjet, batteripakken og opladeren til dit lokale servicecenter.
- ◆ Batteripakken skal genoplades, når den ikke giver tilstrækkelig strøm til de opgaver, som tidligere let blev udført. FORTSÆT IKKE med at bruge den under disse forhold. Følg opladningsproceduren. Du kan også oplade en delvist brugt pakke, når du ønsker det uden nogen negativ indflydelse på batteripakken.
- ◆ Fremmede materialer af en ledende art som for eksempel, men ikke begrænset til ståluld, aluminiumsfolie eller anden koncentration af metalliske partikler skal holdes på afstand af opladerens huller. Tag altid stikket til opladeren ud fra kontakten, når der ikke er indsat en batteripakke. Tag stikket til opladeren ud før forsøg på at rengøre den.
- ◆ Frys ikke eller nedsænk opladeren i vand eller andre væsker.

Advarsel! Lad ikke nogen flydende væsker komme ind i opladeren.

FORSØG ALDRIG AT ÅBNE BATTERIPAKKEN. HVIS BATTERIPAKKENS PLASTIKHUS FÅR BRUD ELLER REVNER, RETURNER DET TIL ET SERVICECENTER TIL GENBRUG.

Ladetilstandsindikator for batteri

Batteriet er udstyret med en ladetilstandsindikator.

Den kan bruges til at vise det nuværende opladningsniveau i batteriet i plæneklipperen og under opladning. Den angiver ikke værktøjets funktionalitet og er underlagt variation baseret på produktkomponenter, temperatur og slutbrugeranvendelse.

Kontrol af ladetilstand:

- ◆ Tryk på ladetilstandsindikatorknappen (12a).
- ◆ De tre LEDs (12b) vil lyse og angive opladningsprocenten i batteriet. Se skemaet i figur B.
- ◆ Hvis LED lyset ikke lyser, oplad batteriet.

Sådan installeres batteripakker (fig. C, C1)

- ◆ Løft dækslet til batterirummet (14) op for at eksponere batteriåbningen.
- ◆ Skub batteriet (12) ind i batterirummet, indtil det er helt på plads, og du hører et tydeligt klik (figur C). Sørg for at batteripakken er helt skubbet ind og låst i position. BCMW3318-enheden har to batterirum, som vist i figur C1.
- ◆ Luk dækslet til batterirummet. Kontrollér at dækslet er låst, før du starter plæneklipperen.

Sådan udtages batteripakkerne:

- ◆ Åbn dækslet til batterirummet (14) som beskrevet ovenfor.
- ◆ Tryk batteriets udløserknop ned på batteripakken og træk batteripakken ud af værktøjet.

Samling

Advarsel! Før montering skal du sørge for, at båndhåndtaget er udløst.

Påsætning af det nederste håndtag

- ◆ Tryk på knappen (4a) på fastgørelsesporten til nederste håndtag (6), og indsæt det nederste håndtag (4). Juster højden til dine behov.

Bemærk! Kontroller at hver side af det nederste håndtag er indstillet ved den samme højde.

Montering af det øverste håndtag (fig. H)

Det øverste håndtag har to forskellige monteringspositionshuller til at justere håndtagets længde fra bunden.

Det første sæt huller nær bunden af det øverste håndtagsrør giver mulighed for maksimal håndtagslængde. Hvis du bruger den øverste monteringsposition, forkortes håndtagslængden

- ◆ Fjern fastgørelsesknapperne til øverste håndtag (5) og boltene (5a) fra det øverste håndtag.
- ◆ Ret hullerne i bunden af det øverste håndtag (3) ind efter hullerne øverst på det nederste håndtag (4).
- ◆ Skub fra den udvendige side på det øverste håndtag (3), boltene gennem hullerne.
- ◆ Drej det øverste håndtag til driftspositionen.
- ◆ Stram fastgørelsesknapperne til øverste håndtag (5).

Fastgøring af motorledningen (fig. I)

Advarsel: Fastgør kablet, så det ikke bliver strakt eller klemt i håndtagenes led under brug eller foldning. Dette kan beskadige ledningen.

Motorkablet skal fastgøres til håndtagene ved hjælp af kabelfastholdelsesanordninger, der allerede er fastgjort til håndtaget.

Sådan klemmer du kablet fast på håndtaget:

- ◆ Sæt håndtagene i driftsposition, se afsnittet "Fastgørelse af nederste håndtag".
- ◆ Rul kablet op foran det nederste og det øverste håndtag.
- ◆ Træk kabelfastholdelsesanordningen tilbage.
- ◆ Skub motorkablet under clipsen og kontroller, at den holdes fuldstændigt på plads af fastholdelsesanordningen.

Klipning

Advarsel! Fjern nøgle og batteripakker inden fjernelse af sideudgangsfastgørelsen og opsamlingsporten, og når klipningsindsatsen monteres.

- ◆ Kontrollér, at sideudgangsfastgørelsen og opsamlingsposen ikke er fastgjorte.
- ◆ Løft bagdørsdækslet (9) og skub klipningsindsatsen helt ind i plæneklipperen
- ◆ Kontrollér, at bagdørsdækslet lukker helt til før start af plæneklipperen.

Funktion

Læs denne instruktionsvejledning, før du arbejder med plæneklipperen.

Se "Funktioner" for at gøre dig bekendt med placeringen af forskellige betjeningshåndtag og justeringer. Gem denne betjeningsvejledning til fremtidig reference.

Advarsel! Lad plæneklipperen arbejde i dens eget tempo. Det må ikke overbelastes.

Advarsel! Skarp roterende kniv. Brug ikke plæneklipperen i sideudgang- eller klipningstilstand, hvis den bageste dør ikke er lukket med fjederspænding; det kan forårsage alvorlig tilskadekomst. Indlever plæneklipperen til reparation hos det nærmeste servicecenter.

Justering af plæneklipperens højde

Klippehøjden justeres vha. justeringsgrebet til skærehøjde.

Bemærk: Hvis du ikke er sikker på, hvilken klippehøjde, du skal vælge, start klipningen med højdeindstillingsgreb (7). Juster højden ned efter behov.

Montering af græsopsamlingsposen (fig. F, G)

- ◆ Løft dæksel til bagdør (9) som vist i figur (F).
- ◆ Anbring græsopsamlingsposen (8) på klipperen, så posekroge (8a) hviler på flapperne (8b) som vist i figur (G). Sænk derefter bagdøren.

Start af græsslåmaskinen (fig. H)

Advarsel! Skarp roterende kniv. Forsøg ikke at omgå denne funktionen af denne omskifterboks, da det kan medføre alvorlig tilskadekomst.

Bemærk: Plæneklipperen fungerer, når batteriet eller batterierne er indsat.

- ◆ Din plæneklipper er udstyret med en speciel on-off omskifterboks. Du starter plæneklipperen ved at skubbe til knappen (1a) på omskifterboksen (1), og derefter trække i båndhåndtaget (2) til håndtaget som vist i figur H. Når plæneklipperen starter, kan du slippe knappen.
- ◆ Du slukker for plæneklipperen ved at udløse båndhåndtaget.

Advarsel! Forsøg aldrig at fastlåse en kontakt eller båndhåndtag (2) i tændt position.

Bemærk: Når båndhåndtaget er vendt tilbage til sin oprindelige position, aktiveres den "automatiske bremsemekanisme". Motoren bremses elektrisk, og plæneklipperens klinge holder op med at rotere i løbet af 3 sekunder eller mindre.

Overbelastning af plæneklipper

For at undgå skader på grund af overbelastning, skal du ikke forsøge at fjerne alt for meget græs på én gang. Sæt farten ned, eller forøg klippehøjden.

Opbevaring

Advarsel! Den roterende klinge kan forårsage alvorlig tilskadekomst.


Slip båndhåndtaget (2) for at slukke for plæneklipperen og fjern batteriet, før du løfter, transporterer eller stiller plæneklipperen til side. Opbevar plæneklipperen på et tørt sted.

Advarsel! For at undgå at blive klemt, holde fingrene væk fra området mellem håndtagene, når de foldes ned.

Advarsel! Kontroller at kablet ikke bliver strakt eller klemt i håndtagenes led under foldning. Dette kan beskadige ledningen.

Håndtaget på plæneklipperen kan let og hurtigt foldes sammen for hurtig og bekvem opbevaring.

Flytning af plæneklipperen

- ◆ Plæneklipperen kan bæres i det praktiske håndtag (10).  IKKE at løfte plæneklipperen ved at tage fat i det øverste håndtag (3) eller nederste håndtag (4).

Tip til græsslåning

Advarsel! Kontrollér altid de steder, hvor plæneklipperen skal bruges og fjern alle sten, pinde, ledninger, knogler og andet snavs, som kan blive slynget af de roterende klinger.

Advarsel! Arbejd på tværs af skråninger, aldrig op og ned. Vær især forsigtig, når du ændrer retning på skråninger.

Slå ikke græs på meget stejle skråninger. Sørg altid for et godt fodfæste.

- ◆ Slip båndhåndtaget for at slukke for plæneklipperen, når grusbelagte flader passere (den roterende klinge kan slynge sten ud).
- ◆ Indstil plæneklipperen til den højeste klippehøjde i ujævn terræn eller i højt ukrudt. Hvis der slås for meget græs på én gang, kan motoren blive overbelastet, så plæneklipperen stopper. Se fejlsøgningsvejledningen.
- ◆ Når græsopsamlingsbrugeren (8) i perioder, hvor græsset vokser hurtigt, kan udgangsåbningen blive tilstoppet. Slip båndhåndtaget for at slukke for plæneklipperen, og fjern sikkerhedsnøglen. Tag opsamlere af og ryst græsset til den bageste ende af posen. Rens også for alt det græs eller snavs, der kan være pakket omkring udgangsåbningen. Udskift græsopsamlere.
- ◆ Hvis plæneklipperen skulle begynde at vibrere unormalt, udløs båndhåndtaget, sluk for plæneklipperen og fjern sikkerhedsnøglen. Kontroller omgåenden for årsagen. Vibration er en advarsel om et problem. Brug ikke plæneklipperen, før den har gennemgået en servicekontrol. Se fejlsøgningsvejledningen i betjeningsvejledningen.
- ◆ Udløs altid båndhåndtaget for at slukke for plæneklipperen, hvis plæneklipperen efterlades uden opsyn selv i kort tid.

Tip for optimal ydeevne

- ◆ Sæt farten ned på områder, hvor græsset er meget langt eller tykt.
- ◆ Undgå græsslåning når græsset er vådt fra regn eller dug eller er-gennemblødt.
- ◆ Slå plænen hyppigt, især i perioder med kraftig vækst.

Bemærk: Det anbefales, at din plæneklipperen genoplades efter brug for at forlænge batteriets levetid.

Hyppig opladning vil ikke beskadige dit batteri og vil sikre, at batteriet er fuldt opladet og klar til næste brug. Opbevaring af et ikke fuldt opladet batteri vil forkorte batteriets levetid.

Demontering og montering af klinger

Advarsel! Ved gensamling af klingsystemet kontroller at hver del geninstalleres korrekt som beskrevet nedenfor.

Ukorrekt samling af klingsystemet eller andre dele af klingsystemet kan medføre alvorlige personskader.

Advarsel! Udløs båndhåndtaget for at slukke for plæneklipperen, vent til klingen stopper, og tag plæneklipperens stik ud.

- ◆ Skær et stykke på 2x4 træ (14) (ca. 610 mm) for at afholde klingen fra at dreje, mens bolten fjernes (13).
- ◆ Bær handsker og ordentlig øjenbeskyttelse.
- ◆ Læg plæneklipperen på siden. Pas på knivens skarpe kanter. Anbring træ og skru bolten af med en 13mm skrueøgle (36) som vist i figur 1.

- ◆ Noter retningen af hver del, når du fjerner den. Fjern bolt (15) og spændeskive (16). Træk kniven (17) af som vist på figur J. Undersøg alle delene for skade og udskift efter behov.
- ◆ Klinge kan kun fastgøres til blæseren (20) i en retning. Du samler igen ved at rette det D-formede hul på klingen ind efter blæserens D-formede indlæg og kontrollerer at skriften på klingen vender udad væk fra plæneklipperen.
- ◆ For at stramme skal du anbringe træstykket som vist i figur K for at afholde klingen fra at dreje. Skub boltene gennem spændeskiven og stram den med uret, så den kommer på plads, med en 13 mm skrueøgle (13) som vist i figur K.

Slibning af kniven

Hold klingen skarp, det giver det bedste resultat. En sløv klinge klipper og snitter ikke græsset ordentligt. Bær ordentlig øjenbeskyttelse, når du afmonterer, sliber eller monterer en klinge. Kontroller at sikkerhedsnøglen og batteripakken er fjernet.

Det er normalt tilstrækkeligt at slibe kniven to gange i sæsonen under normale forhold.

Sand gør hurtigt kniven døv. Hvis der er sandjord i din plæne, kan det være nødvendigt at slibe kniven hyppigere.

Bemærk: Udskrift straks kniven, hvis den bliver bøjet eller beskadiget.

Ved slibning af kniven:

- ◆ Sørg for, at klingen er afbalanceret.
- ◆ Slib kniven i den oprindelige skærevinkel.
- ◆ Slib skærekanterne i begge ender af klingen, så der fjernes en lige stor mængde materiale fra begge ender.

Slibning af en kniv i en skruestik (fig. L)

- ◆ Vær sikker på at båndhåndtaget er udløst, kniven er stoppet og plæneklipperens stik er trukket ud, inden du fjerner kniven.
- ◆ Fjern kniven fra plæneklipperen. Se instruktioner for demontering og montering af kniven.
- ◆ Fastgør kniven (17) i en skruestik.
- ◆ Bær korrekt øjenbeskyttelse og handsker og pas på, at du ikke skærer dig selv. Fil forsigtigt knivens skæreflader med en fin tandfil eller slibesten, så den oprindelige skærekant bevares. Kontroller knivens balance. Se instruktionerne for afbalancering af kniven.
- ◆ Udskift kniven på plæneklipperen og spænd den godt fast.

Knivbalance

Kontroller knivens balance (17) ved at sætte knivens midterhul over et søm eller en rund skruestrækker, der er opspændt vandret i en skruestik. Hvis en af knivens ender roterer nedad, skal der files langs den skarpe kant af den ende, der falder. Kniven er korrekt afbalanceret, hvis ingen af enderne falder.

Smøring

Smøring er ikke nødvendigt. Smør ikke hjulene med olie. De har plastiklejer, som ikke kræver smøring.

Rengøring

Udløs båndhåndtaget (2) for at slukke for plæneklipperen, lad klingene stoppe. Brug kun en mild sæbe og en fugtig klud til rengøring af plæneklipperen. Fjern alt afklip der måtte have samlet sig under dækkets underside. Kontroller, at alle udsatte fastgørelsesdele sidder fast, når du har brugt plæneklipperen nogle gange.

Forebyggelse af korrosion

Gødning og andre havekemikalier indeholder stoffer, som øger rustdannelse på metal. Hvis du slår græs i områder, hvor der er anvendt gødning eller kemikalier, skal plæneklipperen rengøres umiddelbart efter brug som følger: Slip båndhåndtaget (2) for at slukke for plæneklipperen, og træk plæneklipperens stik ud. Tør alle udsatte dele af med en fugtig klud.

Vedligeholdelse

Dit BLACK+DECKER-apparat/værktøj med eller uden ledning er beregnet til brug gennem lang tid med et minimum af vedligeholdelse. Fortsat tilfredsstillende drift afhænger af korrekt behandling af apparatet samt regelmæssig rengøring.

Advarsel! Før udførelse af nogen form for vedligeholdelse på elværktøj med/uden ledning:

- ◆ Sluk og tag apparatets/værktøjets stik ud af stikkontakten.
- ◆ Eller aflad batteriet helt, hvis det er indbygget, og sluk derefter.
- ◆ Træk opladeren ud af stikkontakten, før den rengøres. Opladeren kræver ingen vedligeholdelse, men skal rengøres jævnligt.
- ◆ Rengør jævnligt værktøjets/apparatets og laderens ventilationshuller med en blød børste eller en tør klud.
- ◆ Rengør med jævne mellemrum motorhuset med en fugtig klud. Der må ikke bruges skuremidler eller opløsningsmidler.
- ◆ Brug jævnligt en uskarp skraber til at fjerne græs og snavs fra apparatet.

Problemløsning

Følg vejledningen nedenfor, hvis apparatet ikke synes at fungere korrekt.

Hvis dette ikke løser problemet, bedes du kontakte det lokale BLACK+DECKER-værksted.

Advarsel! Udløs båndhåndtaget for at slukke for plæneklipperen, før du fortsætter, og vent til klingene stopper.

Problem	Mulig løsning
Plæneklipperen virker ikke, når båndhåndtaget aktiveres.	Kontroller, at plæneklipperen er korrekt tilsluttet, og at knappen på omskifterboksen trykkes helt ned, inden du trækker i båndhåndtaget.
	Slip båndhåndtaget for at slukke for plæneklipperen. Fjern batteripakken, læg plæneklipperen på siden, og kontroller, at klingene kan dreje frit.
	Kontroller, at batteriets hulrum er fri for snavs og er korrekt tilsluttet.
	Er batteriet ladet helt op? Tryk på ladeknappen.
Motoren stopper under slåning.	Slip båndhåndtaget for at slukke for plæneklipperen. Fjern batteripakken, læg plæneklipperen på siden, og kontroller, at klingene kan dreje frit.
	Forøg klippehøjden på hjulene til den højeste position, og start plæneklipperen.
	Kontroller, at batteriets hulrum er fri for snavs og er korrekt tilsluttet.
	Er batteriet ladet helt op? Tryk på ladeknappen.
Plæneklipperen kører, men klippingen er utilfredsstillende.	Undgå at overbelaste plæneklipperen. Sæt farten ned, eller forøg klippehøjden.
	Slip båndhåndtaget for at slukke for plæneklipperen. Træk plæneklipperens stik ud. Læg plæneklipperen på siden, og kontroller: <ul style="list-style-type: none"> ◆ Klingens for skarphed - hold klingens skarp. ◆ Bunden og udkastet for tilstopning.
Plæneklipperen kører, men klippingen er utilfredsstillende.	Hjulhøjdejusteringen kan være indstillet for lavt i forhold til græssets tilstand. Forøg klippehøjden.
	Slip båndhåndtaget for at slukke for plæneklipperen. Træk plæneklipperens stik ud. Forøg klippehøjden for at reducere maskinens træk i græsset. Kontroller, at alle hjul drejer frit.
Plæneklipperen støjer unormalt meget og vibrerer.	Slip båndhåndtaget for at slukke for plæneklipperen, og fjern batteripakken. Læg plæneklipperen på siden, og kontroller, at klingene ikke er bøjet eller beskadiget. Udskift klingerne med en ny fra BLACK+DECKER, hvis den er beskadiget. Hvis undersiden af plæneklipperen er beskadiget, skal den indleveres til et autoriseret BLACK+DECKER servicecenter.
	Hvis der ikke er synlige skader på klingene, men plæneklipperen stadig vibrerer: <ul style="list-style-type: none"> ◆ Slip båndhåndtaget for at slukke for plæneklipperen. ◆ Fjern batteripakken. ◆ Afmonter hele klingesamlingen som beskrevet i afsnittet: "Demontering og montering af klinger." ◆ Fjern alt snavs og rengør hver del. ◆ Udskift hver del som beskrevet i afsnittet: "Demontering og montering af klinger."
	Hvis plæneklipperen stadig vibrerer, skal den indleveres til et autoriseret BLACK+DECKER servicecenter.
Batteriopladerens LEDs er ikke tændt.	Kontroller stikforbindelsen.
	Udskift oplader.
Plæneklipperen samler ikke græsset op.	Udkastet er tilstoppet. Slip båndhåndtaget for at slukke for plæneklipperen. Afmonter batteripakken. Fjern græs fra udkastet.
	Forøg klippehøjden på hjulene for at afkorte klippelængden.
	Posen er fuld. Tøm posen oftere.

Miljøbeskyttelse



Særskilt bortskaffelse. Produkter og batterier mærket med dette symbol må ikke bortskaffes sammen med normalt husholdningsaffald.

Produkter og batterier indeholder materialer, der kan genindvindes eller genanvendes, hvilket reducere efterspørgslen efter råvarer. Genbrug venligst elektriske produkter og batterier i henhold til lokale bestemmelser. Yderligere informationer findes på www.2helpU.com

Tekniske data

		BCMW3318	BCMW3336
Spænding	Vdc	18V	36V
Ubelastet hastighed	min ⁻¹	3800RPM	3800RPM
Vægt	kg	15	15
Knivlængde	cm	33	33

Batterier				Opladere (minutter)					
Kat. nr.	Vdc	Ah	Vægt Kg	Kat. nr.	9006287*	N51738*	BDC1A	BDC2A	BDC2A36
				Ampere	400mA	1A	1A	2 A	1,35A
BL1518	18	1,5	0,38	BL1518	225	90	90	45	X
BL1518ST	18	1,5	0,38	BL1518ST	225	90	90	45	X
BL2018	18	2,0	0,39	BL2018	300	120	120	60	X
BL2018ST	18	2,0	0,39	BL2018ST	300	120	120	60	X
BL2518	18	2,5	0,43	BL2518	380	150	150	75	X
BL4018	18	4,0	0,64	BL4018	600	240	240	120	X
BL5018	18	5,0	0,7	BL5018	750	300	300	135	X
BL20362	36	2,0	0,64	BL20362	X	X	X	X	90
BL2536	36	2,5	0,68	BL2536	X	X	X	X	110
BL1554	18/54	1,5	1,08	BL1554	225	90	90	45	X
BL2554	18/54	2,5	1,2	BL2554	380	150	150	75	X

Værdi for hånd/arm-vægtet vibration:
= <2,5 m/s², usikkerhed (K) = 1,5m/s².

L_{wa} (lydtryk) 74,5 dB(A)
usikkerhed (K) = 2,5 dB(A)
L_{WA} (lydeffekt) 86 dB(A)
usikkerhed (K) = 1,5 dB(A)

EF-overensstemmelseserklæring MASKINDIREKTIV DIREKTIV OM STØJEMISSION FRA MASKINER TIL UENDØRS BRUG



BCMW3318, BCMW3336 plæneklipper

Black & Decker erklærer, at produkterne beskrevet under "Tekniske data" er i overensstemmelse med:
2006/42/EC, EN 60335-1:2012 + A11:2014,
EN 60335-2-77:2010

2000/14/EF, Plæneklipper, L < 50 cm, bilag VI,
DEKRA Certification B.V. Meander 1051 / P.O. Box 5185
6825 MJ ARNHEM / 6802 ED ARNHEM, Nederlandene
Underrettet myndighed, id-nr.: 0344

Lydentensitetsniveau i henhold til 2000/14/EF (artikel 12,
Annex III, L < 50cm):
L_{wa} (målt lydeffekt) 86 dB(A)
usikkerhed (K) = 1,5 dB(A)
L_{wa} (garanteret lydeffekt) 96 dB(A)

Disse produkter er endvidere i overensstemmelse med direktiv 2014/30/EU, 2011/65/EU. Kontakt Black & Decker på nedenstående adresse eller se vejledningens bagside for at få yderligere oplysninger.

Undertegnede er ansvarlig for udarbejdelsen af de tekniske data og fremsætter denne erklæring på vegne af Black & Decker.

Becky Cotsworth
Direktør – Outdoor Products Group
Black & Decker Europe, 270 Bath Road, Slough,
Berkshire, SL1 4DX
Storbritannien
11/10/2019

Garanti

Black & Decker er overbevist om den gode kvalitet af sine produkter og giver forbrugerne en garanti på 24 måneder fra købsdatoen. Garantien er et tillæg til forbrugerens lovmæssige rettigheder og påvirker ikke disse. Garantien er gyldig inden for medlemsstaterne af Den Europæiske Union og Det Europæiske Frihandelsområde.

Når du gør krav på garantien, skal kravet være i overensstemmelse med Black&Decker vilkår og betingelser, og du skal indsende dokumentation for købet til sælgeren eller til en autoriseret reparatør. Vilkår og betingelser for Black & Decker 2 års garanti og det nærmeste autoriserede serviceværksted findes på internettet på www.2helpU.com, eller du kan kontakte dit lokale Black & Decker kontor på den adresse, der er angivet i denne vejledning.

Besøg venligst vores websted www.blackanddecker.co.uk for at registrere dit nye Black & Decker produkt og modtage opdateringer om nye produkter og specielle tilbud.

Käyttötarkoitus

BLACK+DECKER BCMW3318, BCMW3336 -ruohonleikkurit on suunniteltu ruohon leikkaamiseen. Nämä laitteet on tarkoitettu vain yksityiskäyttöön.

Turvallisuusohjeet

Varoitus! Johdottomia laitteita käytettäessä on aina noudatettava asianmukaisia turvaohjeita, jotta tulipalojen, sähköiskujen, henkilövahinkojen ja materiaalivaurioiden riski olisi mahdollisimman pieni.

Varoitus! Laitetta käytettäessä on noudatettava turvallisuussääntöjä. Lue tämä opas huolellisesti läpi ennen koneen käyttöä oman ja muiden turvallisuuden takia. Säilytä ohjeet myöhempää tarvetta varten.

- ◆ Lue nämä ohjeet huolellisesti ennen laitteen käyttöä.
- ◆ Käyttötarkoitus kuvataan näissä ohjeissa. Muiden kuin ohjeissa suositeltujen lisävarusteiden tai -osien käyttö sekä laitteen käyttö muuhun kuin oppaassa suositeltuun tarkoitukseen voi aiheuttaa henkilövahingon vaaran.
- ◆ Säilytä tämä käyttöohje tulevaa tarvetta varten.

Laitteen käyttö

Ole aina huolellinen käyttäessäsi laitetta.

- ◆ Tätä laitetta ei ole tarkoitettu nuorten tai lihasvoimaltaan heikkojen henkilöiden käyttöön ilman valvontaa.
- ◆ Laitetta ei saa käyttää leluna.
- ◆ Älä anna lasten tai eläinten tulla lähelle työskentelyaluetta tai koskea laitteeseen tai sähköjohtoon.

- ◆ Jos laitetta käytetään lasten läheisyydessä, on oltava tarkkaavainen.
- ◆ Soveltuu vain kuivaan käyttöympäristöön. Älä anna laitteen kastua. Älä upota laitetta veteen.
- ◆ Älä avaa laitteen koteloa. Sisällä ei ole mitään huollettavia osia.
- ◆ Älä käytä laitetta räjähdysalttiissa ympäristössä, jossa on syttyvää nestettä, kaasua tai pölyä.
- ◆ Älä koskaan irrota johtoa pistorasiasta johdosta vetäen. Pistoke tai johto voi vahingoittua.
- ◆ Tarkista aina katsomalla ennen käyttöä, että terät, terän pultit ja leikkuuyksikkö eivät ole kuluneet tai vahingoittuneet. Vaihda kuluneet tai vahingoittuneet terät ja pultit aina sarjoina, jotta tasapaino säilyy.
- ◆ Jotta lämpörajoitin ei nollautuisi vahingossa ja vaaratilanteet vältettäisiin, tähän laitteeseen ei saa syöttää virtaa ulkoisesta kytkentälaitteesta (esim. ajastin) eikä sitä saa liittää virtapiiriin, joka kytketään säännöllisesti päälle ja pois päältä.
- ◆ Älä koskaan käytä laitetta muiden henkilöiden (erityisesti lapsien) tai eläinten läheisyydessä.
- ◆ Muista, että laitteen käyttäjä on vastuussa muille henkilöille tai omaisuudelle aiheutuneista onnettomuuksista tai vaaratilanteista.

Ennen käyttöä

- ◆ Käytä laitteen käytön aikana aina tukevia jalkineita ja pitkiä housuja. Älä käytä laitetta avojaloin tai avonaisien sandaalien kanssa. Vältä väljien tai nahhallisten vaatteiden käyttöä.
- ◆ Tarkasta laitteen aiottu käyttöalue perusteellisesti ja poista kaikki esineet, joita laite voi heittää.
- ◆ Tarkista aina katsomalla ennen käyttöä, että terä, terän pultti ja teräyksikkö eivät ole kuluneet tai vahingoittuneet. Vaihda kuluneet tai vahingoittuneet osat aina sarjoina, jotta tasapaino säilyy. Vaihda vahingoittuneet tai lukukelvottomat tarrat.

Käytön jälkeen

- ◆ Kun laitetta ei käytetä, säilytä sitä kuivassa, hyvin tuuletetussa paikassa poissa lasten ulottuvilta.
- ◆ Pidä laite lasten ulottumattomissa.
- ◆ Kun laitetta säilytetään tai kuljetetaan ajoneuvossa, sijoita se tavaratilaan tai kiinnitä se kunnolla, ettei se matkan aikana pääse liikkumaan.

Tarkastus ja korjaus

- ◆ Tarkista ennen laitteen käyttöä, ettei laitteessa ole vahingoittuneita tai viallisia osia. Tarkista osien ja kytkimien kunto sekä muut seikat, jotka voivat vaikuttaa laitteen toimintaan.
- ◆ Älä käytä laitetta, jos jokin osa on vahingoittunut tai viallinen.

- ◆ Korjauta tai vaihdata vaurioituneet tai vialliset osat valtuutetussa huoltoliikkeessä.
- ◆ Älä yritä korjata tai vaihtaa muita kuin tässä käyttöohjeessa erikseen määriteltyjä osia.
- ◆ Varo leikkuria säädettäessä, että sormesi eivät jää liikkuvien terien/osien ja kiinteästi asennettujen osien väliin.
- ◆ Muista teriä huollettaessa, että vaikka virtalähde on sammutettu, terät liikkuvat edelleen.

Ruohonleikkurien lisäturvaohjeet

- ◆ Konetta ei saa kuljettaa virran ollessa päällä.
- ◆ Pidä ruohonleikkuria työntöaisasta tukevasti molemmin käsin käytön aikana.
- ◆ Jos joudut käytön aikana kallistamaan ruohonleikkuria, pidä molemmat kädet koko ajan ajoasennossa. Pidä molemmat kädet ajoasennossa niin kauan, kunnes ruohonleikkuri on jälleen normaaliasennossa.
- ◆ Älä käytä radiota tai kuulokkeita ruohonleikkurin käytön aikana.
- ◆ Älä koskaan säädä pyörien korkeutta moottorin käydessä tai turva-avaimen ollessa paikallaan kytkentäkotelossa.
- ◆ Jos ruohonleikkuri pysähtyy, sammuta leikkuri vapauttamalla kahva, odota terän pysähtymistä ennen kuin yrität avata tukoksen tai poistaa mitään kannen alta.
- ◆ Pidä kädet ja jalat poissa leikkausalueelta.
- ◆ Pidä terät terävinä.

- Käytä aina suojakäsineitä käsitellessäsi ruohonleikkurin terää.
- ◆ Jos käytät keräyssäiliötä, tarkista säännöllisesti, ettei se ole kulunut tai rikkoutunut.
Jos keräyssäiliö on hyvin kulunut, vaihda se uuteen turvallisuuden vuoksi.
 - ◆ Ole erittäin varovainen vetäessäsi ruohonleikkuria taaksepäin itseäsi kohti.
 - ◆ Älä aseta käsiä tai jalkoja ruohonleikkurin lähelle tai sen alle. Pysy loitolla laitteen poistoaukosta.
 - ◆ Poista ruohonleikkurin suunnitellulta käyttöalueelta kivet, puunpalaset, johdot, lelut, luut ja muut esineet, jotka terä voisi heittää suurella nopeudella. Terän heittämät esineet voivat aiheuttaa vakavia henkilövahinkoja. Pysy kahvan takana moottorin käydessä.
 - ◆ Älä käytä ruohonleikkuria avojaloin tai avonaisten sandaalien kanssa. Käytä aina riittäviä turvajalkineita.
 - ◆ Älä vedä ruohonleikkuria taaksepäin, ellei se ole täysin välttämätöntä. Katso aina alas ja taaksesi ennen siirtymistä taaksepäin ja sen aikana.
 - ◆ Älä koskaan suuntaa laitteen poistoaukkoa ketään kohti. Vältä poistoaukon suuntaamista seinää tai muuta estettä kohti. Materiaalia voi kimmota takaisin käyttäjää kohti. Sammuta ruohonleikkuri ja pysäytä terä vapauttamalla työntöaisa ennen kuin ylität sorapintaisen alueen.
 - ◆ Älä käytä ruohonleikkuria, elleivät keräyssäiliö, poistoaukon suojus, takasuojus ja muut turvalaitteet ole paikoillaan ja kunnossa. Tarkista aika ajoin kaikki suojukset ja turvalaitteet ja varmista, että ne ovat hyvässä käyttökunnossa ja toimivat oikein. Vaihda vahingoittunut suojus tai muu turvalaite ennen laitteen käytön jatkamista.
 - ◆ Älä koskaan jätä käynnissä olevaa ruohonleikkuria ilman valvontaa.
 - ◆ Pysäytä moottori vapauttamalla kahva, odota, että terä pysähtyy kokonaan, ennen kuin puhdistat ruohonleikkurin tai poistoaukon suojuksen, irrotat ruohonkeräysspussin tai kun poistut ruohonleikkurin luota tai teet säätöjä, korjauksia tai tarkastuksia.
 - ◆ Käytä ruohonleikkuria vain päivänvalossa tai hyvässä keinovalossa niin, että terän tiellä olevat esineet näkyvät selvästi ruohonleikkurin käyttöalueelle.
 - ◆ Ruohonleikkuria ei saa käyttää alkoholin tai huumeiden vaikutuksen alaisena tai väsyneenä tai sairaana. Pysy aina valppaana, tarkkaile toimenpiteitäsi ja käytä tervettä järkeä.
 - ◆ Vältä vaarallisia ympäristöjä. Älä käytä ruohonleikkuria kostealla tai märällä nurmikolla tai sateessa. Varmista aina tukeva jalansija. Kävele, älä juokse.
 - ◆ Jos ruohonleikkuri alkaa täristä epätavallisesti, vapauta kahva, odota terän pysähtymistä ja tarkista heti tärinän syy. Tärinä on yleensä merkki ongelmista.

Tutustu vianmääritysohjeisiin saadaksesi selville syyn epätavalliseen tärinään.

- ◆ Käytä aina asianmukaisia suojalaseja ja hengityssuojainta ruohonleikkuria käyttäessäsi.
- ◆ Sellaisten lisävarusteiden tai -laitteiden käyttö, joita ei ole suositeltu käytettäväksi ruohonleikkurin kanssa, saattaa johtaa vaaratilanteeseen. Käytä vain BLACK+DECKERin hyväksymiä lisävarusteita.
- ◆ Älä kurkota ruohonleikkurin käytön aikana. Seiso aina tukevasti ja tasapainossa ruohonleikkurin käytön aikana.
- ◆ Leikkaa ruoho rinteiden korkeussuuntaan nähden poikittain, älä koskaan ylhäältä alas tai päinvastoin. Ole erityisen varovainen vaihtaessasi suuntaa rinteessä.
- ◆ Varo koloja, kumpuja, kiviä tai muita näkymättömiä esineitä. Epätasainen maasto voi aiheuttaa liukastumisen tai kaatumisen. Pitkä ruoho voi peittää esteitä.
- ◆ Älä leikkaa märkää ruohoa tai leikkaa hyvin jyrkissä rinteissä. Epävakaa asento voi aiheuttaa liukastumisen tai kaatumisen.
- ◆ Älä leikkaa nurmikkoa aivan kuopan, ojan tai pengerryksen lähellä. Voit menettää tasapainon tai jalka voi luistaa.
- ◆ Anna leikkurin aina jäähtyä ennen varastointia.

Vedä pistoke irti pistorasiasta ja akku koneesta.

Varmista, että kaikki liikkuvat osat ovat pysähtyneet kokonaan:

- ◆ Kun jätät koneen ilman valvontaa.
- ◆ Ennen kuin aloitat tukosten puhdistamisen.
- ◆ Ennen leikkurin tarkastusta, puhdistusta, huoltoa tai säätöä.

Muiden henkilöiden turvallisuus

- ◆ Tätä laitetta ei ole tarkoitettu sellaisten henkilöiden (mukaan lukien lapset) käytettäväksi, joiden fyysiset, aistilliset tai henkiset kyvyt tai kokemus ja tietämys ovat rajalliset, ellei heidän turvallisuudestaan vastuussa oleva henkilö valvo tai ohjaa heitä laitteen käytössä.
- ◆ Lapsia on valvottava ja estettävä leikkimästä laitteella.
- ◆ Kun ruohonleikkuri on osunut johonkin. Tarkista laite vaurioiden varalta ja korjaa tarvittaessa.

Muut riskit.

Myös muut kuin turvavaroituksissa mainitut riskit ovat mahdollisia laitetta käytettäessä. Nämä riskit voivat liittyä muun muassa virheelliseen tai pitkäaikaiseen käyttöön. Tiettyjä jännönsriskejä ei voi välttää, vaikka noudatat kaikkia turvamääräyksiä ja käytät turvalaitteita. Näitä ovat:

- ◆ Pyörivien tai liikkuvien osien koskettamisen aiheuttamat vahingot.
- ◆ Osia, teriä tai lisävarusteita vaihdettaessa aiheutuneet vahingot.
- ◆ Laitteen pitkäaikaisen käytön aiheuttamat vahingot.

Varmista, että pidät säännöllisesti taukoja laitteen pitkäaikaisen käytön aikana.

- ◆ Kuulon heikkeneminen.
- ◆ Laitetta käytettäessä (esimerkiksi puuta, erityisesti tammaa, pyökiä ja MDF-levyjä, käsiteltäessä) syntyneen pölyn sisäänhengityksen aiheuttamat terveysriskit).
- ◆ Jos silppurin käyttö kosteassa ympäristössä on välttämätöntä, käytä vikavirtasuojakytkintä (RCD), jonka laukaisuvirta on korkeintaan 30 mA. Tämä vähentää sähköiskun vaaraa.
- ◆ Älä koskaan nosta tai kuljeta laitetta sen moottorin ollessa käynnissä.

Varoitusmerkit

Työkaluun on merkitty päivämääräkoodi sekä seuraavat varoitusmerkit:



Varoitus! Lue käyttöohje ennen laitteen käyttöönottoa.



Suojaa laite sateelta ja suurelta kosteudelta.



Varo teräviä teriä. Terien kierto jatkuu senkin jälkeen, kun moottori on sammutettu. Poista estolaite ennen huoltoa tai jos johto on vaurioitunut.



Varo sinkoilevia esineitä. Pidä sivulliset poissa leikkausalueelta.



Käytä suojalaseja.



Terien liike jatkuu vielä hetken moottorin sammuttamisen jälkeen.



Direktiivin 2000/14/EY mukainen taattu ääniteho.

Lisäturvaohjeet akkuihin ja akkulateureihin

Akut

- ◆ Älä koskaan yritä avata mistään syystä.
- ◆ Älä anna akun kastua.
- ◆ Älä altista akkua kuumuudelle.
- ◆ Älä säilytä akkuja tiloissa, joissa lämpötila voi nousta yli 40 °C:een.
- ◆ Lataa akku paikassa, jonka lämpötila on vähintään +10 °C ja enintään +40 °C.
- ◆ Käytä akun lataamiseen vain laitteen/työkalun mukana toimitettua laturia. Väärän tyyppinen laturi voi aiheuttaa sähköiskun tai akun ylikuumenemisen.
- ◆ Noudata akkujen hävittämisessä Ympäristönsuojelu-kohdassa esitettyjä ohjeita.
- ◆ Suojaa akkua vahingoittumiselta niin, ettei sen kotelo rikkoudu eikä siihen kohdistu iskuja, sillä muutoin voi syntyä henkilövahinkojen ja tulipalon vaara.
- ◆ Älä lataa viallisia akkuja.
- ◆ Vaativissa oloissa voi ilmetä paristovuotoja. Jos havaitset akkujen pinnalla nestettä, pyyhi se huolellisesti pois. Vältä ihokosketusta.

- ◆ Jos nestettä joutuu silmiin tai iholle, noudata jäljempänä olevia ohjeita.

Varoitus! Akun neste voi aiheuttaa henkilö- tai omaisuusvahinkoja. Jos nestettä joutuu iholle, se on välittömästi huuhdeltava pois vedellä.

Jos ihoa kirvelee tai se punottaa tai on muuten ärtynyt, kysy lisäohjeita lääkäriltä. Jos nestettä joutuu silmiin, huuhto välittömästi puhtaalla vedellä ja mene lääkäriin.



Älä koskaan yritä ladata viallisia akkuja

Laturi

Laturi on tarkoitettu tietylle jännitteelle. Tarkista aina, että verkkojännite vastaa arvokilvessä ilmoitettua jännitettä.

Varoitus! Älä yritä vaihtaa laturiin tavallista verkkovirran pistoketta.

- ◆ Käytä Black & Decker -laturia vain laitteen/työkalun mukana toimitetun akun lataamiseen. Muut akut voivat räjähtää ja aiheuttaa henkilövahinkoja tai aineellisia vahinkoja.
- ◆ Älä koskaan yritä ladata akkuja, joita ei ole tarkoitettu ladattaviksi.
- ◆ Jos virtajohto vahingoittuu, sen vaihtaminen on turvallisuussyistä jätettävä valmistajan tai valtuutetun Black & Decker -huollon tehtäväksi.
- ◆ Suojaa laturi vedeltä.
- ◆ Älä avaa laturia.
- ◆ Älä työnnä mitään laturin sisään.
- ◆ Lataa laite/työkalu/akku paikassa, jossa on kunnollinen ilmanvaihto.



Laturi on tarkoitettu ainoastaan sisäkäyttöön.



Lue käyttöohjeet huolellisesti ennen laitteen käyttöä.

Sähköturvallisuus



Laturi on kaksoiseristetty, joten erillistä maadoitusta ei tarvita.

Tarkista aina, että verkkojännite vastaa arvokilvessä ilmoitettua jännitettä. Älä yritä vaihtaa laturiin tavallista pistoketta.

- ◆ Jos virtajohto vahingoittuu, sen vaihtaminen on turvallisuussyistä jätettävä valmistajan tai valtuutetun Black & Decker -huollon tehtäväksi.

Yleiskuvaus

Tässä laitteessa on kaikki tai joitakin seuraavista ominaisuuksista.

1. Kytinkotelo
2. Työntöaisa
3. Yläkahva
4. Alakahva
5. Yläkahvan kiinnitysnpuit (2)
6. Alakahvan kiinnitysportti (2)
7. Leikkauskorkeuden säätövipu
8. Keräyspussi
9. Takaluukun kansi
10. Kantokahvat

Lataaminen

BLACK+DECKER-laturit on tarkoitettu BLACK+DECKER-akkujen lataamiseen.

- ◆ Kytke laturi sopivaan pistorasiaan ennen kuin laitat siihen akun.
- ◆ Aseta akku laturiin.



Vihreä LED-merkkivalo vilkkuu käynnissä olevan latauksen merkiksi.



Kun lataus on valmis, vihreä LED-valo jää palamaan jatkuvasti. Akku on täysin ladattu ja sitä voidaan käyttää heti tai sen voi jättää laturiin.

Varoitus! Lataa tyhjennetyt akut mahdollisimman pian käytön jälkeen, muutoin akun käyttöikä voi lyhentyä.

Laturin vianmääritys

Tämä laturi on tarkoitettu havaitsemaan joitakin akkuun tai virtalähteen liittyviä ongelmia. Ongelmista ilmoittaa yksi eri tahtiin vilkkuva LED-merkkivalo.

Huonokuntoinen akku



Laturi voi havaita heikkokuntoisen tai vaurioituneen akun.

Punainen LED-merkkivalo vilkkuu merkissä ilmoitetulla tavalla. Jos näet tämän heikosta akun kunnosta ilmoittavan vilkkumisen, lopeta akun lataus.

Vie se huoltopalveluun tai kierrätyspisteeseen.

Akun kuuma-/kylmäviive



Kun laturi tunnistaa liian kuumaa tai kylmää akun, se käynnistää automaattisesti akun kuuma-/

kylmäviiveen, jolloin lataus käynnistyy vasta sitten, kun akku on saavuttanut oikean lämpötilan.

Tämän jälkeen laturi kytketty automaattisesti akun lataustilaan. Tämä toiminto takaa akun maksimaalisen käyttöiän. Punainen LED-merkkivalo vilkkuu merkissä ilmoitetulla tavalla, kun kuuma-/kylmäviive on havaittu.

Tärkeitä huomautuksia lataamiseen

- ◆ Pisin käyttöikä ja paras suorituskyky saavutetaan, kun akkua ladataan lämpötilassa 16 °C - 27 °C (60 °F - 80 °F).
- ◆ ÄLÄ lataa akkua alle +4,5 °C (+40 °F) tai yli +40,5 °C (+105 °F) lämpötilassa. Tämä on tärkeää ja se estää akun vakavat vauriot.
- ◆ Laturi ja akku voivat kuumentua latauksen aikana. Tämä on normaalia, eikä ole osoitus ongelmasta. Jotta akku jäähtyisi käytön jälkeen, vältä asettamista laturia tai akkua lämpimään ympäristöön, kuten metallikoteloon tai eristämättömän perävaunun päälle.
- ◆ Jos akku ei lataudu oikein:
 - ◆ Tarkista pistorasian sähkövirta kytkemällä siihen lamppu tai jokin muu laite
 - ◆ Tarkista valojen sammuttamisen yhteydessä, että pistorasia on liitetty virran katkaisevaan valokyttimeen.
 - ◆ Siirrä laturi ja akku paikkaan, jossa ympäristölämpötila on noin 16 °C - 27 °C (60 °F - 80 °F).
 - ◆ Jos latausongelmat jatkuvat, vie työkalu akun ja laturin ohella paikalliseen huoltopalveluun.
- ◆ Akku täytyy ladata uudelleen, kun se ei enää tuota riittävästi tehoa töissä, joka voitiin aikaisemmin tehdä helposti. ÄLÄ JATKA TYÖKALUN KÄYTTÖÄ näissä olosuhteissa. Noudata latausohjeita. Voit halutessasi myös ladata osittain käytetyn akun milloin tahansa, ilman että siitä olisi haittaa akulle.

- ◆ Vieraat johtavat aineet, kuten teräsvilla, alumiinifolio tai metallihiukkaskertymät, niihin kuitenkin rajoittumatta, on pidettävä poissa laturin aukoista. Irrota laturi aina tehonsyötöstä, kun laturissa ei ole akkua. Irrota laturi tehonsyötöstä ennen kuin yrität puhdistaa sitä.

- ◆ Älä pakasta tai upota laturia veteen tai muihin nesteisiin.

Varoitus! Älä päästä nestettä laturin sisään.

ÄLÄ KOSKAAN YRITÄ AVATA AKKUYKSIKÖÄ MISTÄÄN SYYSTÄ. JOS AKUN MUOVIKOTELO RIKKOUTUU TAI HALKEAA, PALAUTA SE HUOLTOPALVELUUN KIERRÄTYSTÄ VARTEN.

Akun varaustilan merkkivalo

Akussa on varaustilan merkkivalo. Voit tarkistaa sen avulla akun nykyisen varaustilan, latauksen tai käytön aikana. Se ei osoita laitteen toiminnallisuutta ja se voi vaihdella tuoteosien, lämpötilan ja loppukäyttäjän käytön mukaan.

Varaustilan tarkistaminen:

- ◆ Tarkista varaustila painamalla painiketta (12a).
- ◆ Kolme LED-merkkivaloa (12b) syttyy ilmoittaen akun lataustilan prosenttilukuna. Katso taulukon kuva B.
- ◆ Jos LED-merkkivalo ei syty, lataa akku.

Akkujen asentaminen (kuvat C, C1)

- ◆ Nosta akkuportin kansi (14) ylös päästäksesi akkuporttiin.
- ◆ Liu'uta akku (12) akkukoteloon, kunnes se on täysin paikoillaan ja kuulet napsahduksen (kuva C). Varmista, että akku on kokonaan paikoillaan ja lukittu paikoilleen. BCMW3318-laitteessa on kaksi akkuporttia kuvan C1 mukaisesti.
- ◆ Sulje akkuportin kansi. Varmista, että kansi on lukittunut hyvin ennen leikkurin käynnistämistä.

Akkujen poistaminen:

- ◆ Avaa akkuportin kansi (14) yllä kuvatulla tavalla.
- ◆ Paina akun vapautuspainiketta akussa ja vedä akku irti.

Asennus

Varoitus! Varmista ennen osien kokoamista, että työntöaisan kahva on vapautettu.

Alakahvan kiinnittäminen

- ◆ Paina painiketta (4a) alakahvan liitosportissa (6) ja aseta alakahva (4) paikoilleen. Säädä korkeus sopivaksi.

Huomautus! Varmista, että alakahvan molemmat puolet on asetettu samalle korkeudelle.

Yläkahvan kiinnittäminen (kuva H)

Yläkahvassa on kaksi eri asennuspaikan reikää kahvan pituuden säätämiseksi kannesta. Ensimmäinen ryhmä reikiä yläkahvan putken alaosan lähellä mahdollistaa kahvan maksimipituuden. Yläosassa oleva asennusreikä mahdollistaa kahvan pituuden lyhentämisen.

- ◆ Poista yläkahvan kiinnitysnpuit (5) ja pultti (5a) yläkahvasta.
- ◆ Kohdista yläkahvan (3) alaosan reiät alakahvan (4) yläosassa oleviin reikiin.
- ◆ Liu'uta pultti reikien läpi yläkahvan (3) ulkopuolelta.
- ◆ Kierrä yläkahva käyttöasentoon.
- ◆ Kiristä yläkahvan kiinnitysnpuit (5).

Moottorin kaapelin kiinnittäminen (kuva I)

Varoitus! Kiinnitä kaapeli niin, ettei se veny tai jää puristuksiin kahvojen liitososiin käytön tai taittamisen aikana. Muutoin johto voi vaurioitua.

Moottorin kaapeli tulee asentaa kahvoihin kaapelipidikkeillä, jotka on jo kiinnitetty kahvaan.

Kaapelin kiinnittäminen kahvaan:

- ◆ Aseta kahvat käyttöasentoon, katso osio "Alakahvan kiinnittäminen".
- ◆ Vie kaapeli ala- ja yläkahvojen etuosan yli.
- ◆ Vedä kaapelikiinnitintä taaksepäin.
- ◆ Liu'uta moottorin kaapeli kiinnittimen alapuolelta ja varmista, että kiinnitin pitää sen hyvin paikoillaan.

Silppuaminen

Varoitus! Poista avain ja akut ennen sivulla olevan ruohonpoistokappaleen ja keräysspussin irrottamista ja silppuamisosan asentamisen ajaksi.

- ◆ Varmista, että ruohonpoistokappale sivulla ja keräysspussi on irrotettu.
- ◆ Nosta takaluukun kansi (9) ja liu'uta silppuamisosa kokonaan leikkuriin.
- ◆ Varmista, että takaluukun kansi sulkeutuu kokonaan ennen leikkurin käynnistämistä.

Käyttö

Tämä ohjekirja tulee lukea ennen leikkurin käyttämistä.

Lue "Yleiskuvaus" tutustuaksesi ohjaimien sijaintiin ja säätöihin. Säilytä käyttöohjeet myöhempää käyttöä varten.

Varoitus! Anna leikkurin käydä omaan tahtiinsa. Älä ylikuormita sitä.

Varoitus! Terävä pyörivä terä. Älä käytä leikkuria ruohonpoisto- tai silppuamistilassa, jos jousi ei lukitse takaluukkuja. Muutoin seurauksena voi olla vakaviaakin vammoja. Vie leikkuri lähimpään huoltoliikkeeseen korjattavaksi.

Leikkaukorkeuden säätäminen

Leikkaukorkeutta säädetään leikkaukorkeuden säätösvivulla.

Huomautus: Jos et ole varma leikkaukorkeudesta, aloita leikkaus korkeudensäätövivun (7) ollessa oikealla.

Säädä korkeutta matalammaksi tarpeen mukaan.

Ruohonkeräysspussin kiinnittäminen (kuvat F, G)

- ◆ Nosta takaluukun kansi (9) kuvan (F) mukaisesti.

- ◆ Aseta ruohonkeräysspussi (8) ruohonleikkuriin niin, että pussin kookut (8a) ovat korvakkeissa (8b) kuvan (G) mukaisesti. Laske sitten takaluukku.

Leikkurin käynnistäminen (kuva H)

Varoitus! Terävä pyörivä terä. Älä koskaan yritä ohittaa tämän kytkintelontelontointia, koska seurauksena voi olla vakavia vammoja.

Huomautus: Leikkuria voidaan käyttää, kun akku tai akut on asennettu.

- ◆ Tässä ruohonleikkurissa on erityinen kytkinrasia. Käytä ruohonleikkuria painamalla painiketta (1a) kytkintelontelossa (1), vedä sitten työntöaisa (2) ohjaustankoon kuvan H mukaisesti. Vapauta painike, kun leikkuri käynnistyy.
- ◆ Voit sammuttaa leikkurin vapauttamalla työntöaisan.

Varoitus! Älä koskaan yritä lukita kytkintä tai työntöaisaa (2) käyttöasentoon.

Huomautus: Alkuasentoon palautuessaan työntöaisa aktivoi "automaattisen jarrutusmekanismin". Moottorissa on sähköinen jarru, joka pysäyttää terän pyörimisen kolmen sekunnin kuluessa.

Leikkurin ylikuormitus

Jotta ylikuormittamisen aiheuttamilta vaurioilta vältyttäisiin, älä yritä poistaa liikaa ruohoa yhdellä kertaa. Hidasta vauhtia tai nosta leikkaukorkeutta.

Säilytys

Varoitus! Pyörivä terä voi aiheuttaa vakavia vammoja.

Sammuta ruohonleikkuri vapauttamalla työntöaisa (2), irrota akku ennen ruohonleikkurin nostoa, siirtoa tai varastointia.

Säilytä kuivassa paikassa.

Varoitus! Vältä puristumisvammoja pitämällä sormet pois kahvojen väliseltä alueelta, kun kahvoja taitetaan alas.

Varoitus! Varmista, ettei johto veny tai jää puristuksiin kahvojen liitososiin taittamisen aikana. Muutoin johto voi vaurioitua.

Leikkurin kahva voidaan taittaa helposti alas nopeaa ja kätevää säilytystä varten.

Leikkurin kantaminen

- ◆ Leikkuria voidaan kantaa tavanomaisilla kantokahvoilla (10). **ÄLÄ** yritä nostaa leikkuria tarttumalla yläkahvaan (3) tai alakahvaan (4).

Vinkkejä ruohonleikkaukseen

Varoitus! Tarkasta aina ruohonleikkurin suunniteltu käyttöalue ja poista siitä kivet, puunpalaset, johdot, luut ja muut esineet, joita leikkurin pyörivä terä voi singota.

Varoitus! Leikkaa ruoho rinteessä poikittain, ei ylhäältä alas tai päinvastoin. Ole erityisen varovainen vaihtaessasi suuntaa rinteessä. Älä työskentele liian jyrkissä rinteissä. Varmista aina tukeva asento.

- ◆ Sammuta ruohonleikkuri vapauttamalla työntöaisa, ennen kuin ylität sorapintaisen alueen (jotta pyörivä terä ei lennättäisi kiviä).
- ◆ Aseta leikkauskorkeus ylämpään asentoon, jos maasto on hyvin epätasaista tai heinikko pitkää. Jos ruohoa leikataan kerralla liikaa, moottori ylikuormittuu ja pysähtyy. Katso vianmääritysohjeita.
- ◆ Jos ruohonkeräysohjeita (8) käytetään ruohon nopeimmalla kasvukaudella, ruohosilppu voi vähitellen tukkia poistoaukon. Sammuta ruohonleikkuri vapauttamalla työntöaisa ja irrota turva-avain. Irrota ruohonkeräysohjeita ja ravista ruohosilppu pussin perälle. Puhdista myös poistoaukon reunoille pakkautunut ruohosilppu. Vaihda ruohonkeräysohjeita.
- ◆ Jos ruohonleikkuri alkaa tärähtää poikkeavasti, vapauta työntöaisa leikkurin sammuttamiseksi ja irrota turva-avain. Tarkista välittömästi tärinän syy. Tärinä on merkki ongelmasta. Älä käytä ruohonleikkuria, ennen kuin huoltotarkastus on tehty. Käytä apuna käyttöoppaan vianmääritysohjeita.
- ◆ Sammuta ruohonleikkuri vapauttamalla työntöaisa aina, kun ruohonleikkuri jää valvomatta vähäksikin aikaa.

Vinkkejä parhaimman tuloksen saavuttamiseksi

- ◆ Hidasta vauhtia paikoissa, joissa ruoho on tavanomaista pidempää tai paksumpaa.
- ◆ Vältä leikkaamasta ruohoa, kun ruoho on märkää tai kosteaa.
- ◆ Leikkaa ruoho säännöllisesti, erityisesti nopeimman kasvukauden aikana.

Huomautus: Leikkuri on suositeltavaa ladata uudelleen käytön jälkeen akun käyttöäin maksimoimiseksi.

Akun tiheä lataus ei heikennä akun kuntoa. Lataamalla sen usein varmistat, että akku on ladattu täyteen ja valmis käytettäväksi. Jos akkua säilytetään täyteen lataamattomana, akun käyttöikä lyhenee.

Terän irrotus ja asennus

Varoitus! Varmista teräjärjestelmän asentamisen aikana, että osat on asennettu oikein alla olevien ohjeiden mukaisesti.

Terän tai muiden teräjärjestelmän osien virheellinen asennus voi johtaa vakaviin henkilövahinkoihin.

Varoitus! Sammuta ruohonleikkuri vapauttamalla työntöaisa, odota kunnes terä pysähtyy ja irrota sitten leikkuri virtalähteestä.

- ◆ Leikkaa 2x4 puukappaletta (14) (pituus noin 610 mm), jotta terä pyörisi pultin (13) irrottamisen aikana.
- ◆ Käytä käsineitä ja suojalaseja.
- ◆ Käännä ruohonleikkuri kyljelleen. Varo leikkurin terävää terää. Aseta puukappale paikoilleen ja irrota pultti 13 mm:n avaimella (36) kuvan I mukaisesti.
- ◆ Huomaa kunkin osan suunta irrottamisen aikana. Irrota pultti (15) ja aluslaatta (16).

Vedä terä (17) irti kuvan J mukaisesti. Tarkista kaikki osat vaurioiden varalta ja vaihda tarvittaessa.

- ◆ Terä voidaan kiinnittää vain puhaltimen (20) yhdessä suunnassa. Asenna osat takaisin kohdistamalla D-muotoinen terän reikä D-muotoiseen puhaltimen tappiin, Varmista, että terän pintojen kirjoitus osoittaa leikkurista poispäin.
- ◆ Kiristä se asettamalla puukappale kuvan K mukaisesti, jotta terä pyörisi. Liu'uta pultti aluslevyn läpi ja kiristä pultti kiertämällä sitä myötäpäivään 13 mm:n avaimella (13) kuvan K mukaisesti.

Terän teroittaminen

Terävä terä leikkaa ruohoa parhaiten. Tylsä terä ei leikkaa ruohoa siististi. Käytä suojalaseja, kun irrotat, teroitat ja kiinnität terää. Varmista, että turva-avain ja akku on irrotettu. Normaalioloissa yleensä riittää, kun terä teroitetaan kaksi kertaa kesässä.

Hiekka tylsyyttää terän nopeasti. Jos ruoho kasvaa hiekkamaassa, terää voi joutua teroittamaan useammin.

Huomautus: Vaihda vääntyneen tai vahingoittuneen terän tilalle uusi.

Terän teroittamisessa huomioitavaa:

- ◆ Varmista, että terän tasapaino säilyy.
- ◆ Säilytä terän alkuperäinen teroituskulma.
- ◆ Teroit leikkaavat kohdat terän molemmin puolin ja poista metallia saman verran molemmilta puolilta.

Terän teroittaminen ruuvipenkissä (kuva L)

- ◆ Varmista aina ennen terän irrottamista, että työntöaisa on vapautettu, terä on pysähtynyt ja leikkuri on irrotettu virtalähteestä.
- ◆ Poista terä ruohonleikkurista. Lue terän asennus- ja irrotusohjeet.
- ◆ Kiinnitä terä (17) ruuvipenkkiin.
- ◆ Käytä asianmukaisia suojalaseja ja suojakäsineitä ja varo teräviä reunoja. Viilaa terän leikkauspinnat hienolla viilalla tai hiomakivellä. Säilytä alkuperäinen leikkauskulma. Tarkista terän tasapaino. Katso terän tasapainotusohjeet.
- ◆ Vaihda leikkurin terä ja kiristä hyvin.

Terän tasapainotus

Tarkista terän (17) tasapaino asettamalla terän keskellä oleva reikä naulaan tai pyöreään ruuviavaimen, joka on kiinnitetty ruuvipenkkiin vaaka-asentoon. Jos jokin terän pää pyörii alaspäin, viilaa laskevan pään terävää reunaa. Terä on tasapainotettu, kun kumpikaan pää ei painu alas.

Voiteleminen

Voitelu ei ole tarpeen. Älä voitele pyöriä. Niiden muoviset laakeripinnat eivät vaadi voitelua.

Puhdistaminen

Vapauta työntöaisa (2) leikkurin kytkemiseksi pois päältä ja anna terän pysähtyä. Käytä ruohonleikkurin puhdistamiseen vain mietoa pesuainetta ja kosteaa kangasta. Irrota alustan alapintaan mahdollisesti tarttunut leikkujäte. Tarkista useiden käyttökertojen jälkeen kiinnikkeiden pitävyyttä.

Korroosion estäminen

Lannoitteet ja muut puutarhakemikaalit sisältävät aineita, jotka nopeuttavat metallien korroosiota. Jos ruohonleikkurin käyttöalueelle on levitetty lannoitteita tai kemikaaleja, ruohonleikkuri on puhdistettava heti käytön jälkeen seuraavasti: Vapauta työntöaisa (2) leikkurin kytkemiseksi pois päältä ja irrota leikkuri virtalähteestä. Pyyhi lannoitteelle altistuneet osat kostealla rievulla.

Huolto

Verkkojohdolla varustettu tai verkkojohdoton BLACK+DECKER-laite on suunniteltu toimimaan mahdollisimman kauan mahdollisimman vähällä huollolla. Oikealla huollolla ja säännöllisellä puhdistuksella työkalu/laite säilyttää suorituskykynsä.

Varoitus! Ennen verkkojohdolla varustetun tai verkkojohdoton sähkötyökalun huoltoa toimi seuraavasti:

- ◆ Sammuta laite/työkalu ja irrota se verkkovirrasta.
- ◆ Jos akku on kiinteä, käytä akku täysin loppuun ja sammuta laite sitten.
- ◆ Irrota laturi pistorasiasta ennen laturin puhdistamista. Laturi ei tarvitse säännöllisen puhdistamisen lisäksi mitään muuta huoltoa.
- ◆ Puhdista työkalun, laitteen ja laturin ilma-aukot säännöllisesti pehmeällä harjalla tai kuivalla kangasliinalla.
- ◆ Puhdista moottorin kotelo säännöllisesti kostealla liinalla. Älä käytä hankaavia tai liuotinpohjaisia puhdistusaineita.
- ◆ Poista ruoho ja lika suojuksen alta säännöllisesti työpäällä kaapimella.

Vianetsintä

Jos laite ei näytä toimivan oikein, noudata seuraavia ohjeita. Jos tämä ei auta, ota yhteys paikalliseen BLACK+DECKER-huoltoliikkeeseen.

Varoitus! Ennen jatkamista sammuta ruohonleikkuri vapauttamalla työntöaisa ja odota kunnes terä pysähtyy.

Ongelma	Mahdollinen ratkaisu
Ruohonleikkuri ei toimi, kun työntöaisan kahva on aktiivitu.	Tarkista, että leikkuri on kytketty oikein sähköverkkoon ja että kytkintelön painike on painettu kokonaan alas ennen työntöaisan vetämistä. Sammuta ruohonleikkuri vapauttamalla työntöaisa. Irrota akku, käännä ruohonleikkuri kyljelleen ja tarkista, että terä pääsee pyörimään esteettä. Tarkista, että akkukotelo on puhdas ja että akku on kiinnitetty kunnolla. Onko akku täysin latautunut? Tarkista varaustila painamalla painiketta.
Moottori pysähtyy kesken käytön.	Sammuta ruohonleikkuri vapauttamalla työntöaisa. Irrota akku. Käännä ruohonleikkuri kyljelleen ja tarkista, että terä pääsee pyörimään esteettä. Nosta leikkaukorkeus ylimmälle tasolle ja käynnistä ruohonleikkuri. Tarkista, että akkukotelo on puhdas ja että akku on kiinnitetty kunnolla. Onko akku täysin latautunut? Tarkista varaustila painamalla painiketta. Vältä ylikuormittamista leikkuria. Hidasta vauhtia tai nosta leikkaukorkeutta.
Leikkuri toimii, mutta leikkaustulos on heikko.	Sammuta ruohonleikkuri vapauttamalla työntöaisa. Irrota leikkuri virtalähteestä. Käännä ruohonleikkuri kyljelleen ja tee seuraavat tarkistukset: ◆ Terän kunto. Pidä terä aina terävänä. ◆ Leikkurin alaosaan ja poistoaukkoon mahdollisesti kertynyt ruołosilppu. Leikkaustaso on ehkä säädetty olosuhteisiin nähden liian alas. Nosta leikkaustasoa.
Ruohonleikkuri on raskas työntää.	Sammuta ruohonleikkuri vapauttamalla työntöaisa. Irrota leikkuri virtalähteestä. Nosta leikkaustasoa, jotta ruohon vastus vähenee. Tarkista kaikkien pyörien esteetön pyörintä.
Ruohonleikkuri on normaalia äänekkäämpi ja tärisee.	Vapauta työntöaisa leikkurin kytkemiseksi pois päältä ja irrota akku. Käännä ruohonleikkuri kyljelleen ja tarkista, ettei terä ole vääntynyt tai muuten vahingoittunut. Jos terä on vahingoittunut, vaihda sen tilalle BLACK+DECKERin vaihtoterä. Jos ruohonleikkurin alusta on vahingoittunut, toimita leikkuri valtuutettuun BLACK+DECKER-huoltoon korjattavaksi. Näkyviä terävuoroita ei ole havaittavissa, mutta ruohonleikkuri silti tärisee: ◆ Sammuta ruohonleikkuri vapauttamalla työntöaisa. ◆ Irrota akku. ◆ Pura koko teräkokoonpano osion "Terän irrotus ja asennus" mukaisesti. ◆ Poista mahdolliset jämsät ja puhdista kaikki osat. ◆ Asenna osat takaisin osion "Terän irrotus ja asennus" mukaisesti. Jos ruohonleikkuri edelleen tärisee, toimita se valtuutettuun BLACK+DECKER-huoltoon korjattavaksi.
Akkulaturin LED-merkkivalot eivät pala.	Tarkista pistokeliitäntä. Vaihda laturi.
Ruohonleikkuri ei kerää leikattua ruohoa talteen pussiin.	Poistoaukko on tukossa. Sammuta ruohonleikkuri vapauttamalla työntöaisa. Irrota akku. Puhdista poistoaukko leikkujätteestä. Lyhennä leikattavaa määrää nostamalla leikkaukorkeutta. Pussi on täynnä. Tyhjeni pussi useammin.

Ympäristönsuojelu



Toimita tämä laite erillisröykäykseen. Tällä symbolilla merkityt tuotteet ja akkuja ei saa hävittää tavallisen kotitalousjätteen mukana.

Tuotteissa ja akuissa on materiaaleja, jotka voidaan ottaa talteen tai kierrättää uudelleen käyttöä varten. Kierrätä sähkölaitteet ja akut paikallisten määräysten mukaan. Lisätietoa on saatavilla osoitteessa www.2helpU.com

Tekniset tiedot

		BCMW3318	BCMW3336
Jännite	Vdc	18V	36V
Kuormittamaton nopeus	min ⁻¹	3800RPM	3800RPM
Paino	kg	15	15
Terän pituus	cm	33	33

Akut				Laturit (minuutit)					
Kat.	Vdc	Ah	Paino (kg)	Kat.	9099287*	N517387*	BDC1A	BDC2A	BDC2A36
				Amp	400mA	1A	1A	2A	1,25A
BL1518	18	1,5	0,38	BL1518	225	90	90	45	X
BL1518ST	18	1,5	0,38	BL1518ST	225	90	90	45	X
BL2018	18	2,0	0,39	BL2018	300	120	120	60	X
BL2018ST	18	2,0	0,39	BL2018ST	300	120	120	60	X
BL2518	18	2,5	0,43	BL2518	380	150	150	75	X
BL4018	18	4,0	0,64	BL4018	600	240	240	120	X
BL5018	18	5,0	0,7	BL5018	750	300	300	135	X
BL20362	36	2,0	0,64	BL20362	X	X	X	X	90
BL2536	36	2,5	0,68	BL2536	X	X	X	X	110
BL1554	18/54	1,5	1,08	BL1554	225	90	90	45	X
BL2554	18/54	2,5	1,2	BL2554	380	150	150	75	X

Käden/käsivarren painotettu värinäarvo:
= < 2,5 m/s², epävarmuus (K) = 1,5m/s².

L_w (äänenpaine) 74,5 dB(A)
epävarmuus (K) = 2,5 dB(A)
L_{WA} (ääniteho) 86 dB(A)
epävarmuus (K) = 1,5 dB(A)

EY-vaatimustenmukaisuusvakuutus KONEDIREKTIIVI ULKOILMAMELUDIREKTIIVI



BCMW3318, BCMW3336 -ruohonleikkuri

Black & Decker ilmoittaa, että tuotteet, jotka on kuvattu kohdassa Tekniset tiedot, täyttävät seuraavien direktiivien vaatimukset:

2006/42/EY, EN 60335-1:2012 + A11:2014,
EN 60335-2-77:2010

2000/14/EY, Ruohonleikkuri, L < 50 cm, Liite VI,
DEKRA Certification B.V. Meander 1051 / P.O. Box 5185
6825 MJ ARNHEM / 6802 ED ARNHEM, Netherlands
Ilmoitetun laitoksen tunnusnumero: 0344

Akustisen tehon taso direktiivin 2000/14/EY (artikla 12, liite III,
L < 50 cm) mukaisesti:

L_w (mitattu ääniteho) 86 dB(A)
epävarmuus (K) = 1,5 dB(A)
L_w (taattu ääniteho) 96 dB(A)

Nämä tuotteet täyttävät myös direktiivien 2014/30/EU ja
2011/65/EU vaatimukset. Lisätietoja saa ottamalla yhteyden
Black & Deckeriin seuraavassa osoitteessa. Tiedot ovat myös
käyttöohjeen takakannessa.

Allekirjoittanut vastaa teknisten tietojen kokoamisesta tehden
tämän ilmoituksen Black & Deckerin puolesta.

Becky Cotsworth

Päällikkö – Outdoor Products Group
Black & Decker Europe, 270 Bath Road, Slough,
Berkshire, SL1 4DX
Iso-Britannia
11/10/2019

Takuu

Black & Decker on vakuuttanut tuotteidensa korkeasta laadusta ja tarjoaa kuluttajille 24 kuukauden takuun, joka astuu voimaan ostopäivänä. Kyseinen takuu75 on lisäys kuluttajan laillisiin oikeuksiin eikä vaikuta niihin. Tämä takuu on voimassa kaikissa EU- ja ETA-maissa.

Edellytyksenä takuun saamiselle on, että vaade täyttää Black & Deckerin ehdot ja että ostaja toimittaa ostotositteen jälleennympäälle tai valtuutetulle huoltoliikkeelle. Black & Deckerin kahden vuoden takuun ehdot ja lähimmän valtuutetun korjauspalvelun yhteystiedot ovat saatavilla osoitteessa www.2helpU.com tai ottamalla yhteyttä paikalliseen Black & Deckerin toimipisteeseen tässä ohjekirjassa ilmoitettuun osoitteisiin.

Käy verkkosivullamme osoitteessa www.blackanddecker.fi ja rekisteröi uusi Black & Decker -tuotteesi saadaksesi tietoa uusista tuotteista ja erikoistarjouksista.

Προβλεπόμενη χρήση

Οι χλοοκοπτικές μηχανές BLACK+DECKER BCMW3318 και BCMW3336 έχουν σχεδιαστεί για κόψιμο γκαζόν. Αυτές οι συσκευές προορίζονται μόνο για καταναλωτική χρήση.

Οδηγίες ασφαλείας

Προειδοποίηση! Κατά τη χρήση συσκευών μπαταρίας, πρέπει πάντοτε να τηρούνται οι βασικές προφυλάξεις ασφαλείας, συμπεριλαμβανομένων των παρακάτω, για τον περιορισμό του κινδύνου πυρκαγιάς, ηλεκτροπληξίας, τραυματισμού ατόμων και υλικών ζημιών.

Προειδοποίηση! Κατά τη χρήση του μηχανήματος πρέπει να τηρούνται οι κανόνες ασφαλείας.

Για ασφάλεια δική σας και των παρευρισκομένων, διαβάστε αυτές τις οδηγίες πριν χρησιμοποιήσετε το μηχάνημα. Φυλάξτε τις οδηγίες σε ασφαλές μέρος για μεταγενέστερη χρήση.

- ♦ Διαβάστε προσεκτικά όλο το περιεχόμενο αυτού του εγχειριδίου, πριν χρησιμοποιήσετε τη συσκευή.
- ♦ Η προβλεπόμενη χρήση περιγράφεται στο παρόν εγχειρίδιο. Τόσο η χρήση αξεσουάρ ή προσαρτημάτων, όσο και η πραγματοποίηση με αυτή τη συσκευή οποιασδήποτε εργασίας, πέραν αυτών που συνιστώνται στο παρόν εγχειρίδιο οδηγιών, μπορεί να εγκυμονεί κίνδυνο σωματικών βλαβών.
- ♦ Φυλάξτε αυτό το εγχειρίδιο για μελλοντική αναφορά.

Χρήση της συσκευής

Προσέχετε πάντα όταν χρησιμοποιείτε τη συσκευή.

- ♦ Αυτή η συσκευή δεν προορίζεται για χρήση από νεαρά ή αδύναμα άτομα χωρίς επίβλεψη.
- ♦ Η συσκευή δεν πρέπει να χρησιμοποιείται ως παιχνίδι.
- ♦ Μην αφήνετε παιδιά ή ζώα να πλησιάζουν στο χώρο εργασίας ή να αγγίζουν τη συσκευή ή το καλώδιο τροφοδοσίας.
- ♦ Όταν η συσκευή χρησιμοποιείται κοντά σε παιδιά, είναι απαραίτητη η στενή επίβλεψη.
- ♦ Να χρησιμοποιείται μόνο σε χώρο χωρίς υγρασία. Μην αφήσετε να βραχεί η συσκευή. Μην βυθίσετε τη συσκευή σε νερό.
- ♦ Μην ανοίγετε το περίβλημα του σώματος της συσκευής. Δεν υπάρχουν στο εσωτερικό της συσκευής εξαρτήματα που επιδέχονται σέρβις από το χρήστη.
- ♦ Μη χρησιμοποιείτε τη συσκευή σε περιβάλλον όπου υπάρχει κίνδυνος έκρηξης, π.χ. με παρουσία εύφλεκτων υγρών, αερίων ή σκόνης.
- ♦ Για να βγάλετε το φισ από την πρίζα, μην τραβάτε ποτέ το καλώδιο. Έτσι, θα αποφύγετε τον κίνδυνο ζημιάς στο φισ και στο καλώδιο.
- ♦ Πριν τη χρήση, πάντα επιθεωρείτε οπτικά για να βεβαιωθείτε ότι οι λεπίδες, τα μπουλόνια λεπίδων και το συγκρότημα λεπίδων δεν έχουν υποστεί φθορά ή ζημιά.

Αντικαθιστάτε μόνο σε σετ τις λεπίδες και τα μπουλόνια που έχουν υποστεί φθορά ή ζημιά, για να διατηρήσετε τη σωστή ζυγοστάθμιση.

- ♦ Για να αποφύγετε κίνδυνο λόγω αθέλητης επαναφοράς του θερμικού διακόπτη, η συσκευή αυτή δεν πρέπει να τροφοδοτείται με ρεύμα μέσω εξωτερικής διάταξης μεταγωγής, όπως χρονοδιακόπτη, ή να συνδεθεί σε κύκλωμα το οποίο ενεργοποιείται και απενεργοποιείται συχνά από την εταιρεία ηλεκτρισμού.
- ♦ Μη χρησιμοποιείτε ποτέ το μηχάνημα όταν υπάρχουν κοντά άνθρωποι, και ιδιαίτεως παιδιά, ή αν υπάρχουν κοντά κατοικίδια.
- ♦ Έχετε υπόψη σας ότι ο ιδιοκτήτης ή ο χρήστης είναι πάντα υπεύθυνος για ατυχήματα ή κινδύνους που προκαλούνται σε τρίτους ή στην ιδιοκτησία τους.

Πριν τη χρήση

- ♦ Κατά τη χρήση του μηχανήματος φοράτε πάντα υποδήματα βαρέος τύπου και μακρύ παντελόνι. Μη χρησιμοποιείτε το μηχάνημα όταν είστε ξυπόλητοι ή φορώντας ανοιχτά σανδάλια. Αποφύγετε ρούχα με χαλαρή εφαρμογή ή με κορδόνια που κρέμονται καθώς και τις γραβάτες.
- ♦ Επιθεωρήστε προσεκτικά την περιοχή όπου θα χρησιμοποιηθεί το μηχάνημα και απομακρύνετε όλες τα αντικείμενα τα οποία μπορούν να εκσφενδονιστούν από το μηχάνημα.

- ♦ Πριν τη χρήση, πάντα επιθεωρείτε οπτικά για να βεβαιωθείτε ότι η λεπίδα, το μπουλόνι της λεπίδας και το συγκρότημα λεπίδας δεν έχουν υποστεί φθορά ή ζημιά. Αντικαθιστάτε σε σετ τα εξαρτήματα που έχουν υποστεί φθορά ή ζημιά, για να διατηρείτε τη σωστή ζυγοστάθμιση. Αντικαθιστάτε τις ετικέτες που έχουν υποστεί ζημιά ή δεν είναι αναγνώσιμες.

Μετά τη χρήση

- ♦ Όταν δεν χρησιμοποιείται η συσκευή, πρέπει να φυλάσσεται σε στεγνό, καλά αεριζόμενο χώρο, μακριά από παιδιά.
- ♦ Τα παιδιά δεν πρέπει να έχουν πρόσβαση σε αποθηκευμένες συσκευές.
- ♦ Όταν η συσκευή αποθηκεύεται ή μεταφέρεται μέσα σε όχημα πρέπει να τοποθετείται στο χώρο αποσκευών ή να στερεώνεται ώστε να μη μετακινείται σε περίπτωση απότομων μεταβολών της ταχύτητας ή της κατεύθυνσης του οχήματος.

Έλεγχος και επισκευές

- ♦ Πριν από τη χρήση, ελέγξτε τη συσκευή για εξαρτήματα που έχουν υποστεί ζημιά ή βλάβη. Ελέγξτε αν υπάρχουν σπασμένα εξαρτήματα, ζημιά σε διακόπτες και οτιδήποτε άλλο μπορεί να επηρεάσει τη λειτουργία της.

- ♦ Μη χρησιμοποιήσετε τη συσκευή αν οποιοδήποτε εξάρτημά της έχει υποστεί ζημιά ή βλάβη.
- ♦ Φροντίζετε η επισκευή ή αντικατάσταση των εξαρτημάτων που τυχόν έχουν υποστεί ζημιά ή βλάβη να γίνεται από εξουσιοδοτημένο αντιπρόσωπο επισκευών.
- ♦ Μην επιχειρήσετε ποτέ να αφαιρέσετε ή να αντικαταστήσετε οποιοδήποτε εξάρτημα, εκτός από αυτά που καθορίζονται στο παρόν εγχειρίδιο.
- ♦ Προσέχετε κατά τη ρύθμιση της χλοοκοπτικής μηχανής, για να αποφύγετε εμπλοκή των δακτύλων μεταξύ των κινούμενων λεπίδων/ εξαρτημάτων και των σταθερών τμημάτων της μηχανής.
- ♦ Κατά τη συντήρηση των λεπίδων να έχετε υπόψη σας ότι, παρόλο που η πηγή τροφοδοσίας ρεύματος είναι αποσυνδεδεμένη, οι λεπίδες και πάλι μπορούν να κινηθούν.

Πρόσθετες οδηγίες ασφαλείας για χλοοκοπτικές μηχανές

- ♦ Μη μεταφέρετε το μηχάνημα όταν είναι σε λειτουργία η πηγή ρεύματος
- ♦ Κρατάτε γερά τη λαβή και με τα δύο χέρια όταν χρησιμοποιείτε τη χλοοκοπτική μηχανή.
- ♦ Αν οποιαδήποτε στιγμή είναι απαραίτητο να γείρετε τη χλοοκοπτική μηχανή, βεβαιωθείτε ότι και τα δύο χέρια σας παραμένουν στη θέση χειρισμού ενώ γέρνετε τη μηχανή.

Κρατήστε και τα δυο σας χέρια στη θέση χειρισμού μέχρι να επαναφέρετε τη χλοοκοπτική μηχανή στην σωστή θέση στο έδαφος.

- ♦ Ποτέ μη φοράτε ακουστικά ραδιοφώνου ή συσκευής αναπαραγωγής μουσικής όταν χειρίζεστε τη χλοοκοπτική μηχανή.
- ♦ Ποτέ μην επιχειρήσετε να πραγματοποιήσετε ρύθμιση του ύψους τροχών όταν το μοτέρ βρίσκεται σε λειτουργία ή όταν το κλειδί ασφαλείας βρίσκεται μέσα στο περίβλημα του διακόπτη.
- ♦ Αν μπλοκάρει η χλοοκοπτική μηχανή, ελευθερώστε την μπάρα λειτουργίας για να την απενεργοποιήσετε και περιμένετε να σταματήσει η λεπίδα, πριν επιχειρήσετε να αποφράξετε τη χοάνη ή να απομακρύνετε οτιδήποτε από κάτω από το δάπεδο της μηχανής.
- ♦ Μην πλησιάζετε τα χέρια και τα πόδια σας στην περιοχή κοπής.
- ♦ Διατηρείτε τις λάμες αιχμηρές. Φοράτε πάντοτε προστατευτικά γάντια όταν χειρίζεστε τη λεπίδα της χλοοκοπτικής μηχανής.
- ♦ Εάν χρησιμοποιείτε το συλλέκτη γρασιδιού, ελέγχετε τον τακτικά για φθορά και υποβάθμιση της κατάστασής του. Εάν έχει φθαρεί υπερβολικά, αντικαταστήστε τον με νέο συλλέκτη γρασιδιού, για τη δική σας ασφάλεια.

- ♦ Επιδεικνύετε εξαιρετική προσοχή όταν κινείστε προς τα πίσω ή τραβάτε τη χλοοκοπτική μηχανή προς το μέρος σας.
 - ♦ Μην πλησιάζετε τα χέρια ή τα πόδια σας κοντά ή κάτω από τη χλοοκοπτική μηχανή.
Παραμένετε πάντα μακριά από τα ανοίγματα εξαγωγής.
 - ♦ Καθαρίστε την περιοχή όπου θα χρησιμοποιηθεί η αιωρούμενη χλοοκοπτική μηχανή από αντικείμενα όπως πέτρες, ξύλα, σύρματα, παιχνίδια, κόκαλα κλπ., τα οποία μπορούν να εκσφενδονιστούν από τη λεπίδα.
Αντικείμενα τα οποία κτυπούν στη λεπίδα μπορούν να προκαλέσουν σοβαρό τραυματισμό σε άτομα.
Παραμένετε πίσω από τη λαβή όταν ο κινητήρας βρίσκεται σε λειτουργία.
 - ♦ Μη χρησιμοποιείτε τη χλοοκοπτική μηχανή με γυμνά πόδια ή φορώντας σανδάλια. Φοράτε πάντοτε κλειστά υποδήματα.
 - ♦ Μην τραβάτε προς τα πίσω τη χλοοκοπτική μηχανή, εκτός εάν είναι απόλυτα απαραίτητο. Πάντοτε κοιτάτε κάτω και προς τα πίσω πριν και όσο κινείστε προς τα πίσω.
 - ♦ Ποτέ μην κατευθύνετε το εξαγόμενο υλικό προς οποιονδήποτε. Αποφύγετε την εξαγωγή υλικού προς κάποιο τοίχο ή άλλο εμπόδιο. Το υλικό μπορεί να εξοστρακιστεί προς το χειριστή.
- Απελευθερώστε τη μπάρα λειτουργίας για να απενεργοποιηθεί η χλοοκοπτική μηχανή και να σταματήσει η λεπίδα πριν περάσετε από επιφάνεια με χαλίκια.
- ♦ Μη χρησιμοποιείτε τη χλοοκοπτική μηχανή χωρίς ολόκληρο το συλλέκτη γρασιδιού, το προστατευτικό εξαγωγής, το πίσω προστατευτικό και άλλες προστατευτικές διατάξεις ασφαλείας στη θέση τους και σε λειτουργία. Περιοδικά ελέγχετε όλα τα προστατευτικά και τις προστατευτικές διατάξεις ασφαλείας για να εξασφαλίζετε ότι βρίσκονται σε καλή κατάσταση λειτουργίας και ότι θα λειτουργήσουν σωστά επιτελώντας το σκοπό τους.
Αντικαταστήστε τυχόν προστατευτικό ή άλλη διάταξη ασφαλείας που έχει υποστεί ζημιά, πριν από την περαιτέρω χρήση.
 - ♦ Ποτέ μην αφήνετε μια χλοοκοπτική μηχανή σε λειτουργία χωρίς επιτήρηση.
 - ♦ Πάντα απελευθερώνετε την μπάρα λειτουργίας για να σταματήσει το μοτέρ και περιμένετε μέχρι να ακινητοποιηθεί απόλυτα η λεπίδα πριν καθαρίσετε τη χλοοκοπτική μηχανή, αφαιρέσετε το σάκο συλλογής γρασιδιού, αποφράξετε το προστατευτικό εξαγωγής, όταν αφήνετε τη χλοοκοπτική μηχανή και πριν εκτελέσετε οποιαδήποτε εργασία ρύθμισης, επισκευής ή ελέγχου.

- ◆ Χρησιμοποιείτε τη χλοοκοπτική μηχανή μόνο στο φως της ημέρας ή σε καλό τεχνητό φωτισμό, όταν αντικείμενα που τυχόν βρίσκονται στην πορεία της λεπίδας είναι εύκολα ορατά από την περιοχή χειρισμού της χλοοκοπτικής μηχανής.
- ◆ Μη χρησιμοποιείτε τη χλοοκοπτική μηχανή όταν είστε υπό την επίδραση αλκοόλ ή ναρκωτικών ουσιών, ή όταν είστε άρρωστος(-η) ή κουρασμένος(-η). Πάντα να είστε σε επαγρύπνηση, να προσέχετε τι κάνετε και να χρησιμοποιείτε κοινή λογική.
- ◆ Αποφεύγετε τα επικίνδυνα περιβάλλοντα. Ποτέ μη χρησιμοποιήσετε τη χλοοκοπτική μηχανή σε υγρό ή βρεγμένο γρασίδι, ούτε στη βροχή. Να είστε πάντοτε σίγουροι για το που πατάτε, και να περπατάτε, ποτέ μην τρέχετε.
- ◆ Αν η χλοοκοπτική μηχανή παρουσιάσει ασυνήθιστους κραδασμούς, ελευθερώστε την μπάρα λειτουργίας, περιμένετε να σταματήσει η λεπίδα και στη συνέχεια διερευνήστε αμέσως την αιτία. Οι κραδασμοί αποτελούν γενικά προειδοποίηση προβλήματος, δείτε τον οδηγό αντιμετώπισης προβλημάτων για συμβουλές σε περίπτωση μη φυσιολογικών κραδασμών.
- ◆ Φοράτε πάντοτε κατάλληλα προστατευτικά ματιών και αναπνοής κατά τη χρήση της χλοοκοπτικής μηχανής.
- ◆ Η χρήση οποιουδήποτε αξεσουάρ ή εξαρτήματος που δεν συνιστάται για χρήση με αυτή τη χλοοκοπτική μηχανή, θα μπορούσε να είναι επικίνδυνη. Χρησιμοποιείτε μόνο αξεσουάρ εγκεκριμένα από την BLACK+DECKER.
- ◆ Ποτέ μην τεντώνετε υπερβολικά όταν χρησιμοποιείτε τη χλοοκοπτική μηχανή. Να εξασφαλίζετε πάντοτε σωστή στήριξη στα πόδια σας και καλή ισορροπία όταν χρησιμοποιείτε τη χλοοκοπτική μηχανή.
- ◆ Σε εδάφη με κλίση, να κουρευείτε εγκάρσια προς την κλίση, ποτέ προς τα πάνω και κάτω. Επιδεικνύετε εξαιρετική προσοχή όταν αλλάζετε κατεύθυνση σε εδάφη με κλίση.
- ◆ Να προσέχετε για λακκούβες, αυλάκια, πέτρες ή άλλα κρυμμένα αντικείμενα. Το ανώμαλο έδαφος μπορεί να προκαλέσει ατύχημα λόγω ολίσθησης και πτώσης. Τα ψηλά χόρτα μπορεί να κρύβουν εμπόδια.
- ◆ Μην κουρεύετε σε βρεγμένο γρασίδι ή σε εδάφη με υπερβολική κλίση. Η κακή στήριξη στα πόδια σας μπορεί να προκαλέσει ατύχημα λόγω ολίσθησης και πτώσης.
- ◆ Μην κουρεύετε κοντά σε γκρεμούς, χαντάκια ή πρανή. Μπορεί να παραπατήσετε ή να χάσετε την ισορροπία σας.
- ◆ Πάντοτε αφήνετε τη χλοοκοπτική μηχανή να κρυώσει πριν την αποθηκεύσετε.

Τραβήξτε το φως από την πρίζα και αφαιρέστε τα πακέτα μπαταριών από το μηχάνημα. Βεβαιωθείτε ότι όλα τα κινούμενα τμήματα έχουν σταματήσει τελείως:

- ♦ Όταν φεύγετε από το μηχάνημα.
- ♦ Πριν καθαρίσετε απόφραξη.
- ♦ Πριν τον έλεγχο, τον καθαρισμό ή την εργασία στη συσκευή.

Ασφάλεια τρίτων

- ♦ Η συσκευή αυτή δεν προορίζεται για χρήση από άτομα (περιλαμβανομένων παιδιών) με μειωμένες σωματικές, αισθητηριακές ή διανοητικές ικανότητες, ή με έλλειψη εμπειρίας και γνώσης, εκτός αν σε αυτά έχει παρασχεθεί από άτομο υπεύθυνο για την ασφάλειά τους επίβλεψη ή εκπαίδευση σχετικά με τη χρήση της συσκευής.
- ♦ Τα παιδιά πρέπει να επιτηρούνται για να εξασφαλίζεται ότι δεν παίζουν με τη συσκευή.
- ♦ Αφού χτυπήσει σε ξένο αντικείμενο. Επιθεωρήστε τη συσκευή για ζημιές και προβείτε σε επισκευές, όπως χρειάζεται.

Υπολειπόμενοι κίνδυνοι.

Κατά τη χρήση του εργαλείου μπορεί να δημιουργηθούν πρόσθετοι υπολειπόμενοι κίνδυνοι, οι οποίοι ενδέχεται να μη συμπεριλαμβάνονται στις προειδοποιήσεις ασφαλείας που εσωκλείονται. Αυτοί οι κίνδυνοι μπορεί να προκληθούν από κακή χρήση, παρατεταμένη χρήση κλπ.

Παρά την εφαρμογή των σχετικών κανονισμών ασφαλείας και τη χρήση διατάξεων ασφαλείας, ορισμένοι υπολειπόμενοι κίνδυνοι δεν είναι δυνατό να αποφευχθούν. Σε αυτούς περιλαμβάνονται:

- ♦ Τραυματισμοί από επαφή με οποιαδήποτε περιστρεφόμενα/κινούμενα μέρη.
- ♦ Τραυματισμοί κατά την αλλαγή οποιωνδήποτε εξαρτημάτων, λαμών ή αξεσουάρ.
- ♦ Σωματικές βλάβες από παρατεταμένη χρήση εργαλείου. Όταν χρησιμοποιείτε οποιοδήποτε εργαλείο για παρατεταμένα χρονικά διαστήματα, μην παραλείπετε με κανένα τρόπο να κάνετε τακτικά διαλείμματα.
- ♦ Βλάβη της ακοής.
- ♦ Κίνδυνοι στην υγεία που προκαλούνται από την εισπνοή σκόνης όταν χρησιμοποιείτε το εργαλείο (παράδειγμα:- όταν επεξεργάζεστε ξύλο, ειδικά δρυ, οξιά και MDF).
- ♦ Αν δεν μπορείτε να αποφύγετε τη χρήση της χλοοκοπτικής μηχανής σε υγρή θέση, χρησιμοποιήστε μια διάταξη προστασίας από ρεύμα διαρροής (RCD), με ρεύμα ενεργοποίησης όχι μεγαλύτερο από 30 mA.
- ♦ Η χρήση μιας διάταξης RCD μειώνει τον κίνδυνο ηλεκτροπληξίας.
- ♦ Ποτέ μην παίρνετε στα χέρια σας ή μεταφέρετε μια συσκευή όταν το μοτέρ της είναι σε λειτουργία.

Προειδοποιητικά σύμβολα

Η συσκευή φέρει τα παρακάτω προειδοποιητικά σύμβολα μαζί με τον κωδικό ημερομηνίας:



Προειδοποίηση! Διαβάστε το εγχειρίδιο οδηγιών πριν από τη λειτουργία.



Μην εκθέτετε τη συσκευή σε βροχή ή υψηλή υγρασία.



Προσέχετε τις αιχμηρές λεπίδες. Οι λεπίδες συνεχίζουν να κινούνται και μετά την απενεργοποίηση του μοτέρ – Αφαιρέστε τη διάταξη απενεργοποίησης πριν τη συντήρηση ή αν υποστεί ζημιά το καλώδιο.



Προσέχετε για τυχόν αντικείμενα που εκσφενδονίζονται. Μην αφήνετε να πλησιάσουν άλλα άτομα στην περιοχή κοπής.



Φοράτε προστασία ματιών



Οι λεπίδες συνεχίζουν να κινούνται και μετά την απενεργοποίηση του μηχανήματος.



Εγγυημένη ηχητική ισχύς σύμφωνα με την Οδηγία 2000/14/ΕΚ.

Πρόσθετες οδηγίες ασφαλείας για μπαταρίες και φορτιστές

Μπαταρίες

- Ποτέ μην επιχειρήσετε να τις ανοίξετε, για κανένα λόγο.

- Μην εκθέτετε την μπαταρία σε νερό.
- Μην εκθέτετε την μπαταρία σε θερμότητα.
- Μην τις αποθηκεύετε σε θέσεις όπου η θερμοκρασία ενδέχεται να υπερβεί τους 40 °C.
- Η φόρτιση πρέπει να γίνεται μόνο σε θερμοκρασίες περιβάλλοντος μεταξύ 10 °C και 40 °C.
- Η φόρτιση πρέπει να γίνεται μόνο με το φορτιστή που παρέχεται μαζί με τη συσκευή/το εργαλείο. Η χρήση λανθασμένου φορτιστή θα μπορούσε να επιφέρει ηλεκτροπληξία, ή υπερθέρμανση της μπαταρίας.
- Κατά την απόρριψη των μπαταριών, να ακολουθείτε τις οδηγίες που παρέχονται στην ενότητα "Προστασία του περιβάλλοντος".
- Μην προξενήσετε ζημιά/ παραμορφώσετε το πακέτο μπαταρίας είτε με τρύπημα είτε με χτύπημα, επειδή αυτό μπορεί να προκαλέσει κίνδυνο τραυματισμού και πυρκαγιάς.
- Μη φορτίζετε μπαταρίες που έχουν υποστεί ζημιά.
- Υπό ακραίες συνθήκες μπορεί να προκύψει διαρροή στην μπαταρία. Αν παρατηρήσετε υγρό πάνω στις μπαταρίες, σκουπίστε το προσεκτικά με ένα πανί. Αποφύγετε την επαφή με το δέρμα.
- Σε περίπτωση επαφής με το δέρμα ή τα μάτια, ακολουθήστε τις παρακάτω οδηγίες.

Προειδοποίηση! Το υγρό της μπαταρίας μπορεί να προκαλέσει τραυματισμό ατόμων και υλικές ζημιές.

Σε περίπτωση επαφής με το δέρμα, ξεπλύνετε αμέσως με νερό.

Αν παρουσιαστεί κοκκίνισμα του δέρματος, πόνος ή ερεθισμός, ζητήστε ιατρική βοήθεια. Σε περίπτωση επαφής με τα μάτια, ξεπλύνετε αμέσως με καθαρό νερό και ζητήστε ιατρική βοήθεια.



Μην επιχειρήσετε να φορτίσετε μπαταρίες που έχουν υποστεί ζημιά

Φορτιστής

Ο φορτιστής σας είναι σχεδιασμένος για συγκεκριμένη ηλεκτρική τάση.

Ελέγχετε πάντα ότι η τάση ρεύματος δικτύου συμφωνεί με αυτήν που αναγράφεται στην πινακίδα τεχνικών χαρακτηριστικών.

Προειδοποίηση! Ποτέ μην επιχειρήσετε να αντικαταστήσετε τη μονάδα φορτιστή με κανονικό φως ρεύματος δικτύου.

- ♦ Ο φορτιστής BLACK+DECKER πρέπει να χρησιμοποιείται αποκλειστικά και μόνο για τη φόρτιση της μπαταρίας της συσκευής που συνόδευε. Άλλες μπαταρίες ενδέχεται να εκραγούν, προκαλώντας τραυματισμό από μωμν και ζημιές.
- ♦ Μην επιχειρήσετε ποτέ να φορτίσετε μη επαναφορτιζόμενες μπαταρίες.
- ♦ Αν το καλώδιο ρεύματος έχει υποστεί φθορά, η αντικατάστασή του πρέπει να γίνει από τον κατασκευαστή ή από ένα εξουσιοδοτημένο κέντρο της Black & Decker, ώστε να μην αποτελέσει κίνδυνο.
- ♦ Μην εκθέτετε τον φορτιστή σε νερό.

- ♦ Μην ανοίξετε τον φορτιστή.
- ♦ Μην εισάγετε οποιαδήποτε αντικείμενα μέσα στο φορτιστή.
- ♦ Κατά τη φόρτιση, η συσκευή/το εργαλείο/η μπαταρία πρέπει να βρίσκεται σε καλά αεριζόμενο χώρο.



Ο φορτιστής προορίζεται για χρήση μόνο σε εσωτερικούς χώρους.



Διαβάστε το εγχειρίδιο οδηγιών πριν τη χρήση.

Ασφαλής χρήση ηλεκτρικού ρεύματος



Ο φορτιστής σας φέρει διπλή μόνωση. Επομένως, δεν απαιτείται αγωγός γείωσης.

Ελέγχετε πάντα ότι η τάση ρεύματος δικτύου συμφωνεί με αυτήν που αναγράφεται στην πινακίδα τεχνικών χαρακτηριστικών. Ποτέ μην επιχειρήσετε να αντικαταστήσετε τη μονάδα φορτιστή με ένα κανονικό φως ρεύματος δικτύου.

- ♦ Αν το καλώδιο ρεύματος έχει υποστεί φθορά, η αντικατάστασή του πρέπει να γίνει από τον κατασκευαστή ή από ένα εξουσιοδοτημένο κέντρο της Black & Decker, ώστε να μην αποτελέσει κίνδυνο.

Χαρακτηριστικά

Η συσκευή αυτή διαθέτει μερικά ή όλα από τα παρακάτω χαρακτηριστικά.

1. Κουτί διακόπτη
2. Λαβή λειτουργίας
3. Πάνω λαβή
4. Κάτω λαβή
5. Κουμπιά σύνδεσης της πάνω λαβής (2)
6. Υποδοχή σύνδεσης της κάτω λαβής (2)
7. Μοχλός ρύθμισης ύψους κοπής

8. Σάκος συλλογής γρασιδιού
9. Κάλυμμα πίσω πόρτας
10. Λαβές μεταφοράς

Η κόκκινη λυχνία LED αναβοσβήνει με το μοτίβο αναλαμπών που υποδεικνύεται στην ετικέτα όταν ανιχνευτεί η καθυστέρηση θερμού/ψυχρού πακέτου μπαταρίας

Διαδικασία φόρτισης

Οι φορτιστές BLACK+DECKER έχουν σχεδιαστεί να φορτίζουν πακέτα μπαταριών BLACK+DECKER.

- ◆ Συνδέστε τον φορτιστή σε κατάλληλη πρίζα πριν εισάγετε το πακέτο μπαταρίας.
- ◆ Εισάγετε το πακέτο μπαταρίας στον φορτιστή.



Η πράσινη λυχνία LED θα αναβοσβήνει υποδεικνύοντας ότι η μπαταρία φορτίζεται



Η ολοκλήρωση της φόρτισης υποδεικνύεται όταν η κόκκινη φωτεινή ένδειξη παραμένει αναμμένη συνεχώς. Το πακέτο μπαταρίας είναι τώρα πλήρως φορτισμένο και μπορεί να χρησιμοποιηθεί άμεσα ή να παραμείνει στο φορτιστή

Προειδοποίηση! Επαναφορτίζετε τις αποφορτισμένες μπαταρίες το συντομότερο δυνατόν μετά τη χρήση τους, διαφορετικά μπορεί να μειωθεί πολύ η διάρκεια ζωής τους.

Διαγνωστικά φορτιστή

Αυτός ο φορτιστής έχει σχεδιαστεί ώστε να ανιχνεύει ορισμένα προβλήματα που μπορούν να προκύψουν με πακέτα μπαταριών ή με την πηγή ρεύματος. Τα προβλήματα υποδεικνύονται από μια λυχνία LED που αναβοσβήνει με διαφορετικά μοτίβα αναλαμπών.

Προβληματική μπαταρία



Ο φορτιστής μπορεί να ανιχνεύσει ότι μια μπαταρία είναι εξασθενημένη ή έχει υποστεί ζημιά.

Η κόκκινη λυχνία LED αναβοσβήνει με το μοτίβο αναλαμπών που υποδεικνύεται στην ετικέτα. Αν δείτε αυτό το μοτίβο αναλαμπών που αντιστοιχεί σε προβληματική μπαταρία, μη συνεχίσετε τη φόρτιση της μπαταρίας. Επιστρέψτε την σε κέντρο σέρβις ή σε θέση συλλογής για ανακύκλωση

Καθυστέρηση θερμού/ ψυχρού πακέτου μπαταρίας



Αν ο φορτιστής ανιχνεύσει μπαταρία με υπερβολικά υψηλή ή χαμηλή θερμοκρασία,

ξεκινά αυτόματα μια Καθυστέρηση θερμού/ψυχρού πακέτου μπαταρίας, αναστέλλοντας τη φόρτιση έως ότου η μπαταρία έχει φθάσει σε κατάλληλη θερμοκρασία.

Αφού συμβεί αυτό, ο φορτιστής μεταβαίνει αυτόματα σε λειτουργία φόρτισης του πακέτου. Αυτή η λειτουργία διασφαλίζει τη μέγιστη διάρκεια ζωής της μπαταρίας.

Σημαντικές επισημάνσεις για τη φόρτιση

- ◆ Η μέγιστη διάρκεια ζωής και η βέλτιστη απόδοση μπορούν να επιτευχθούν αν το πακέτο μπαταρίας φορτίζεται όταν η θερμοκρασία περιβάλλοντος είναι μεταξύ 16 °C και 27 °C (60 °F έως 80 °F).
- ◆ ΜΗ φορτίζετε το πακέτο μπαταρίας σε θερμοκρασία περιβάλλοντος κάτω από +4,5 °C (+40 °F) ή πάνω από +40,5 °C (+105 °F). Αυτό είναι σημαντικό και θα αποτρέψει σοβαρή ζημιά στο πακέτο μπαταρίας.
- ◆ Ο φορτιστής και το πακέτο μπαταρίας μπορεί να θερμανθούν κατά τη φόρτιση. Αυτό είναι κανονικό φαινόμενο και όχι ένδειξη προβλήματος. Για να διευκολύνετε την ψύξη του πακέτου μπαταρίας μετά τη χρήση, αποφεύγετε να τοποθετείτε το φορτιστή ή το πακέτο μπαταρίας σε θερμό περιβάλλον, όπως σε μεταλλικό παράπηγμα ή σε μη μονωμένο τρέιλερ.
- ◆ Αν το πακέτο μπαταρίας δεν φορτίζεται σωστά:
 - ◆ Ελέγξτε το ρεύμα στην πρίζα συνδέοντας ένα φωτιστικό ή άλλη ηλεκτρική συσκευή
 - ◆ Ελέγξτε μήπως η πρίζα συνδέεται σε διακόπτη φώτων που διακόπτει το ρεύμα όταν σβήνεται το φως.
 - ◆ Μετακινήστε το φορτιστή και το πακέτο μπαταρίας σε θέση όπου η θερμοκρασία αέρα περιβάλλοντος είναι περίπου 16 °C - 27 °C (60 °F - 80 °F).
 - ◆ Αν τα προβλήματα φόρτισης επιμένουν, παραδώστε το εργαλείο, το πακέτο μπαταρίας και το φορτιστή στο τοπικό σας κέντρο σέρβις.
- ◆ Το πακέτο μπαταρίας πρέπει να επαναφορτίζεται όταν δεν είναι σε θέση να παράγει επαρκή ισχύ σε εργασίες που γίνοντουσαν εύκολα πιο πριν. ΜΗ ΣΥΝΕΧΙΣΕΤΕ τη χρήση υπό αυτές τις συνθήκες. Ακολουθήστε τη διαδικασία φόρτισης. Μπορείτε επίσης να φορτίσετε όποτε επιθυμείτε ένα πακέτο μπαταρίας που δεν έχει εξαντληθεί πλήρως, χωρίς αυτό να έχει αρνητικές συνέπειες στο πακέτο μπαταρίας.
- ◆ Τα ξένα υλικά με αγώγιμες ιδιότητες, όπως είναι, αλλά χωρίς περιορισμό σε αυτά, το σύρμα τριψίματος, το αλουμινοχαρτό ή οποιαδήποτε σσσωρεύση μεταλλικών σωματιδίων, θα πρέπει να διατηρούνται μακριά από τις κοιλότητες του φορτιστή. Πάντα αποσυνδέετε το φορτιστή από την παροχή ρεύματος όταν δεν υπάρχει πακέτο μπαταρίας στην κοιλότητα. Αποσυνδέετε το φορτιστή από την πρίζα πριν επιχειρήσετε να τον καθαρίσετε.
- ◆ Μην παγώσετε ή βυθίσετε το φορτιστή σε νερό ή οποιοδήποτε άλλο υγρό.

Προειδοποίηση! Μην επιτρέψετε να εισέλθει οποιοδήποτε υγρό μέσα στο φορτιστή.

ΠΟΤΕ ΜΗΝ ΕΠΙΧΕΙΡΗΣΕΤΕ ΝΑ ΑΝΟΙΞΕΤΕ ΤΟ ΠΑΚΕΤΟ ΜΠΑΤΑΡΙΑΣ, ΓΙΑ ΟΠΟΙΟΝΔΗΠΟΤΕ ΛΟΓΟ. ΑΝ ΤΟ ΠΛΑΣΤΙΚΟ ΠΕΡΙΒΛΗΜΑ ΤΟΥ ΠΑΚΕΤΟΥ ΜΠΑΤΑΡΙΑΣ ΣΠΑΣΕΙ Ή ΡΑΓΙΣΕΙ, ΕΠΙΣΤΡΕΦΤΕ ΤΟ ΠΑΚΕΤΟ ΣΕ ΚΕΝΤΡΟ ΣΕΡΒΙΣ ΓΙΑ ΑΝΑΚΥΚΛΩΣΗ.

Ένδειξη κατάστασης φόρτισης της μπαταρίας

Η μπαταρία είναι εξοπλισμένη με ένδειξη κατάστασης φόρτισης. Αυτή μπορεί να χρησιμοποιηθεί για να εμφανίσει το τρέχον επίπεδο φόρτισης στην μπαταρία όταν είναι μέσα στη χλοοκοπτική μηχανή και κατά τη διάρκεια της φόρτισης. Δεν δείχνει τη λειτουργικότητα του εργαλείου και υπόκειται σε μεταβολές βάσει των εξαρτημάτων του προϊόντος, της θερμοκρασίας και της εφαρμογής του τελικού χρήστη.

Έλεγχος της κατάστασης φόρτισης:

- ◆ Πιέστε το κουμπί ένδειξης της κατάστασης φόρτισης (12a).
- ◆ Οι τρεις LED (12b) θα ανάψουν, υποδεικνύοντας το ποσοστό φόρτισης της μπαταρίας. Δείτε τον πίνακα στην Εικόνα Β.
- ◆ Αν δεν ανάψει λυχνία LED, φορτίστε την μπαταρία.

Για να εγκαταστήσετε τα πακέτα μπαταριών (εικ. C, C1)

- ◆ Ανυψώστε το κάλυμμα διαμερίσματος μπαταρίας (14) για να αποκτήσετε πρόσβαση στο διαμέρισμα μπαταρίας.
- ◆ Τοποθετήστε την μπαταρία (12) μέσα στο διαμέρισμα μπαταρίας έως ότου εδράσει πλήρως και ακουστεί χαρακτηριστικός ήχος κλικ (εικόνα C). Βεβαιωθείτε ότι το πακέτο μπαταρίας έχει εδράσει και ασφαλίσει πλήρως στη θέση του. Η μονάδα BCMW3318 έχει δύο διαμερίσματα μπαταριών, όπως δείχνει η Εικόνα C1.
- ◆ Κλείστε το κάλυμμα του διαμερίσματος μπαταρίας. Βεβαιωθείτε ότι το κάλυμμα έχει ασφαλίσει πλήρως πριν θέσετε σε λειτουργία τη χλοοκοπτική μηχανή.

Για να αφαιρέσετε τα πακέτα μπαταριών:

- ◆ Ανοίξτε το κάλυμμα (14) του διαμερίσματος μπαταρίας όπως περιγράφηκε πιο πάνω.
- ◆ Πατήστε το κουμπί απελευθέρωσης της μπαταρίας πάνω στο πακέτο μπαταρίας και τραβήξτε το πακέτο μπαταρίας έξω από το εργαλείο.

Συναρμολόγηση

Προειδοποίηση! Πριν τη συναρμολόγηση, βεβαιωθείτε ότι η λαβή λειτουργίας είναι απελευθερωμένη.

Τοποθέτηση της κάτω λαβής

- ◆ Πιέστε το κουμπί (4a) στην υποδοχή σύνδεσης της κάτω λαβής (6) και εισάγετε την κάτω λαβή (4). Ρυθμίστε το ύψος σύμφωνα με τις προσωπικές σας απαιτήσεις.

Σημείωση! Βεβαιωθείτε ότι κάθε πλευρά της κάτω λαβής έχει ρυθμιστεί στο ίδιο ύψος.

Τοποθέτηση της πάνω λαβής (εικ. Η)

Η πάνω λαβή έχει δύο διαφορετικές οπές θέσης στερέωσης για να ρυθμίζεται το μήκος της λαβής από το δάπεδο της μηχανής.

Το πρώτο σετ οπών κοντά στο κάτω μέρος του σωλήνα της πάνω λαβής επιτρέπει μέγιστο μήκος λαβής. Η χρήση της πάνω θέσης στερέωσης προσφέρει μειωμένο μήκος λαβής

- ◆ Αφαιρέστε τα κουμπιά σύνδεσης της πάνω λαβής (5) και το μπουλόνι (5a) από την πάνω λαβή.
- ◆ Ευθυγραμμίστε τις οπές στο κάτω μέρος της πάνω λαβής (3) με τις οπές στο πάνω μέρος της κάτω λαβής (4).
- ◆ Από το εξωτερικό μέρος της πάνω λαβής (3), περάστε το μπουλόνι μέσα από τις οπές.
- ◆ Περιστρέψτε την πάνω λαβή στη θέση λειτουργίας της.
- ◆ Σφίξτε τα κουμπιά σύνδεσης της πάνω λαβής (5).

Ασφάλιση του καλωδίου του μοτέρ (Εικ. Ι)

Προειδοποίηση: Συνδέστε το καλώδιο ώστε να μην είναι πολύ τεντωμένο ή να μην πιαστεί στις ενώσεις των λαβών κατά τη χρήση ή την αναδίπλωση. Αυτό μπορεί να προκαλέσει ζημιά στο καλώδιο.

Το καλώδιο του μοτέρ πρέπει να στερεωθεί στις λαβές με χρήση των σφιγκτήρων καλωδίου που είναι ήδη συνδεδεμένοι στη λαβή.

Για να κουμπώσετε το καλώδιο στη λαβή:

- ◆ Τοποθετήστε τις λαβές σε θέση λειτουργίας, βλέπε την ενότητα "Τοποθέτηση της κάτω λαβής".
- ◆ Περάστε το καλώδιο προς τα πάνω από το μπροστινό μέρος της κάτω και πάνω λαβής.
- ◆ Τραβήξτε πίσω το σφιγκτήρα καλωδίου.
- ◆ Περάστε το καλώδιο του μοτέρ κάτω από το κλιπ και βεβαιωθείτε ότι συγκρατείται πλήρως στη θέση του από το σφιγκτήρα καλωδίου.

Τεμαχισμός

Προειδοποίηση! Αφαιρέτε το κλειδί και τα πακέτα μπαταριών πριν

αφαιρέσετε το πρόσθετο εξάρτημα πλευρικής εξαγωγής και τον σάκο συλλογής γρασιδιού, καθώς και όταν τοποθετείτε το ένθετο τεμαχισμού.

- ◆ Βεβαιωθείτε ότι δεν έχουν συνδεθεί το πρόσθετο εξάρτημα πλευρικής εξαγωγής και ο σάκος συλλογής.
- ◆ Ανυψώστε το κάλυμμα πίσω πόρτας (9) και τοποθετήστε το ένθετο τεμαχισμού πλήρως μέσα στη χλοοκοπτική μηχανή
- ◆ Βεβαιωθείτε ότι το κάλυμμα της πίσω πόρτας κλείνει τελείως, πριν ενεργοποιήσετε τη χλοοκοπτική μηχανή.

Λειτουργία

Διαβάστε αυτό το εγχειρίδιο οδηγιών πριν χρησιμοποιήσετε τη χλοοκοπτική μηχανή σας.

Δείτε το τμήμα "Χαρακτηριστικά" για να εξοικειωθείτε με τη θέση διάφορων χειριστηρίων και ρυθμίσεων. Φυλάξτε το παρόν εγχειρίδιο για μελλοντική αναφορά.

Προειδοποίηση! Αφήνετε τη χλοοκοπτική μηχανή να λειτουργεί με το δικό της ρυθμό. Μην την υπερφορτώνετε.

Προειδοποίηση! Διατηρείτε τις λεπίδες κοφτερές. Μη χρησιμοποιήσετε τη χλοοκοπτική μηχανή σε λειτουργία πλευρικής εξαγωγής ή σε λειτουργία τεμαχισμού αν η πίσω πόρτα δεν έχει κλείσει με τη δύναμη του ελατηρίου, καθώς μπορεί να προκληθεί σοβαρός τραυματισμός. Παραδώστε τη χλοοκοπτική σας μηχανή στο πιο κοντινό κέντρο σέρβις για επισκευή.

Ρύθμιση ύψους χλοοκοπτικής μηχανής

Το ύψος κοπής ρυθμίζεται από τον μοχλό ρύθμισης ύψους κοπής.

Σημείωση: Αν δεν είστε βέβαιοι για το ύψος κοπής, αρχίστε το κούρεμα με το μοχλό ρύθμισης ύψους (7) στη δεξιά θέση. Ρυθμίστε το ύψος προς τα κάτω όπως απαιτείται.

Τοποθέτηση του σάκου συλλογής γρασιδιού (εικ. F, G)

- ◆ Ανυψώστε το κάλυμμα πίσω πόρτας (9) όπως δείχνει η εικόνα (F).
- ◆ Τοποθετήστε τον σάκο συλλογής γρασιδιού (8) πάνω στη χλοοκοπτική μηχανή έτσι ώστε οι γάντζοι του σάκου (8a) να στηρίζονται στα ωτία (8b) όπως δείχνει η εικόνα (G). Κατόπιν χαμηλώστε την πίσω πόρτα.

Εκκίνηση της χλοοκοπτικής μηχανής (εικ. H)

Προειδοποίηση! Διατηρείτε τις λεπίδες κοφτερές. Μην προσπαθήσετε ποτέ να παρακάμψετε τη λειτουργία αυτού του κουτιού διακόπτη, καθώς μπορεί να προκληθεί σοβαρός τραυματισμός.

Σημείωση: Η χλοοκοπτική μηχανή είναι λειτουργική όταν έχει εγκατασταθεί μπαταρία ή μπαταρίες.

- ◆ Η χλοοκοπτική μηχανή διαθέτει ειδικό κουτί διακόπτη ενεργοποίησης-απενεργοποίησης. Για να χρησιμοποιήσετε τη χλοοκοπτική μηχανή, πατήστε το κουμπί (1a) στο κουτί διακόπτη (1) και κατόπιν τραβήξτε τη λαβή λειτουργίας (2) προς το τιμόνι, όπως δείχνει η εικόνα H. Όταν τεθεί σε λειτουργία η χλοοκοπτική μηχανή, μπορείτε να ελευθερώσετε το κουμπί.
- ◆ Για να απενεργοποιήσετε τη χλοοκοπτική μηχανή, απλά ελευθερώστε τη λαβή λειτουργίας.

Προειδοποίηση! Ποτέ μην επιχειρήσετε να ασφαλίσετε ένα διακόπτη ή τη λαβή λειτουργίας (2) στην ενεργοποιημένη θέση.

Σημείωση: Όταν η λαβή λειτουργίας επιστρέψει στην αρχική της θέση θα ενεργοποιήσει τον "αυτόματο μηχανισμό πέδησης". Στο μοτέρ εφαρμόζεται ηλεκτρική πέδηση και τη λεπίδα της χλοοκοπτικής μηχανής θα σταματήσει να περιστρέφεται σε 3 δευτερόλεπτα ή συντομότερα.

Υπερφόρτωση της χλοοκοπτικής μηχανής

Για να αποτρέψετε ζημιά λόγω συνθηκών υπερφόρτωσης, μην επιχειρείτε να αφαιρέτε πάρα πολύ γρασίδι με τη μία. Μειώστε το ρυθμό κοπής ή αυξήστε το ύψος της κοπής.

Φύλαξη

Προειδοποίηση! Η περιστρεφόμενη λεπίδα μπορεί να προκαλέσει σοβαρό τραυματισμό.

Ελευθερώστε τη λαβή λειτουργίας (2) για να απενεργοποιήσετε τη χλοοκοπτική μηχανή και αφαιρέστε την μπαταρία πριν ανυψώσετε, μεταφέρετε ή αποθηκεύσετε τη χλοοκοπτική μηχανή. Αποθηκεύστε σε δροσερό μέρος.

Προειδοποίηση! Για να αποφύγετε εμπλοκή των δακτύλων σας, κρατάτε τα μακριά από την περιοχή ανάμεσα στις λαβές όταν διπλώνετε τις λαβές.

Προειδοποίηση! Βεβαιωθείτε ότι το καλώδιο δεν τεντώνεται υπερβολικά και δεν πιάνεται στις ενώσεις των λαβών όταν τις διπλώνετε. Αυτό μπορεί να προκαλέσει ζημιά στο καλώδιο. Η λαβή της χλοοκοπτικής μηχανής μπορεί να διπλωθεί εύκολα, για γρήγορη και άνετη αποθήκευση.

Μεταφορά της χλοοκοπτικής μηχανής

- ◆ Μπορείτε να μεταφέρετε τη χλοοκοπτική μηχανή χρησιμοποιώντας τις εξυπηρετικές λαβές μεταφοράς (10). **MH** επιχειρήστε να σηκώσετε τη χλοοκοπτική μηχανή από την πάνω λαβή (3) ή την κάτω λαβή (4).

Συμβουλές για κούρεμα του γκαζόν

Προειδοποίηση! Να επιθεωρείτε πάντα την περιοχή όπου θα χρησιμοποιήσετε τη χλοοκοπτική μηχανή και να απομακρύνετε όλες τις πέτρες, ξύλα, σύρματα, κόκαλα και άλλα αντικείμενα τα οποία μπορούν να εκσφενδονιστούν από την περιστρεφόμενη λεπίδα.

Προειδοποίηση! Σε εδάφη με κλίση, να κουρεύετε κατά το πλάτος της κλίσης και ποτέ προς τα πάνω και κάτω. Επιδεικνύετε εξαιρετική προσοχή όταν αλλάζετε κατεύθυνση σε εδάφη με κλίση. Μην κουρεύετε σε υπερβολικά απότομες κλίσεις. Να διατηρείτε πάντα καλή στήριξη με τα πόδια.

- ◆ Ελευθερώστε τη λαβή λειτουργίας για να απενεργοποιήσετε τη χλοοκοπτική μηχανή όταν διασχίζετε επιφάνεια με χαλίκια (μπορεί να εκσφενδονιστούν πέτρες από τη λεπίδα).
- ◆ Ρυθμίστε τη χλοοκοπτική μηχανή στο μεγαλύτερο ύψος κοπής όταν κουρεύετε σε τραχύ έδαφος ή σε ψηλά αγριόχορτα. Η απομάκρυνση υπερβολικής ποσότητας γρασιδιού με τη μία μπορεί να προκαλέσει υπερφόρτωση του μοτέρ και διακοπή της λειτουργίας του.

Ανατρέξτε στον οδηγό αντιμετώπισης προβλημάτων.

- ◆ Αν χρησιμοποιήσετε το σάκο συλλογής γρασιδιού (8) κατά την εποχή της ταχείας βλάστησης, το γρασίδι μπορεί να έχει την τάση να φράζει το άνοιγμα εξαγωγής. Ελευθερώστε τη λαβή λειτουργίας για να απενεργοποιήσετε τη χλοοκοπτική μηχανή και αφαιρέστε το κλειδί ασφαλείας. Αφαιρέστε το συλλέκτη γρασιδιού και ανακινήστε τον ώστε το γρασίδι να πέσει στο πίσω άκρο του σάκου. Επίσης, καθαρίστε τυχόν γρασιδί ή υπολείμματα που μπορεί να έχουν συσσωρευτεί περιμετρικά στο άνοιγμα εξαγωγής. Επανατοποθετήστε το συλλέκτη γρασιδιού.
 - ◆ Αν η χλοοκοπτική μηχανή παρουσιάζει ασυνήθιστους κραδασμούς, ελευθερώστε τη λαβή λειτουργίας για να απενεργοποιήσετε τη χλοοκοπτική μηχανή και αφαιρέστε το κλειδί ασφαλείας. Ελέγξτε άμεσα για την αιτία. Οι δονήσεις είναι προειδοποίηση προβλημάτων. Μη χρησιμοποιήσετε τη χλοοκοπτική μηχανή μέχρι να γίνει έλεγχος από το σέρβις.
- Ανατρέξτε στον οδηγό αντιμετώπισης προβλημάτων στο εγχειρίδιο.
- ◆ Πάντα να ελευθερώνετε τη λαβή λειτουργίας για να απενεργοποιείτε τη χλοοκοπτική μηχανή όταν αφήνετε τη μηχανή χωρίς επιτήρηση ακόμη και για μικρό χρονικό διάστημα.

Συμβουλές για βέλτιστη απόδοση

- ◆ Να κινείστε αργά σε περιοχές όπου το γρασίδι είναι υπερβολικά ψηλό ή πυκνό.
- ◆ Αποφεύγετε να κουρεύετε το γρασίδι όταν είναι βρεγμένο από βροχή ή έχει μουσκέψει από δροσιά.
- ◆ Κουρεύετε το γκαζόν σας συχνά, ειδικά κατά τις περιόδους ταχείας ανάπτυξης.

Σημείωση: Συνιστάται να επαναφορτίζετε τη χλοοκοπτική μηχανή μετά τη χρήση, για να επιμηκύνετε τη διάρκεια ζωής της μπαταρίας.

Η συχνή φόρτιση δεν θα βλάψει την μπαταρία σας, ενώ θα διασφαλίσει ότι η μπαταρίας είναι πλήρως φορτισμένη και έτοιμη για την επόμενη χρήση της. Η αποθήκευση της μπαταρίας σε μη πλήρως φορτισμένη κατάσταση θα μειώσει τη διάρκεια ζωής της μπαταρίας.

Αφαίρεση και εγκατάσταση της λεπίδας

Προειδοποίηση! Όταν επανασυναρμολογείτε το σύστημα λεπίδας, να βεβαιώνετε ότι κάθε εξάρτημα έχει επανεγκατασταθεί σωστά, όπως περιγράφεται παρακάτω. Η ακατάλληλη συναρμολόγηση της λεπίδας ή άλλων εξαρτημάτων του συστήματος λεπίδας μπορεί να προκαλέσει σοβαρό τραυματισμό.

Προειδοποίηση! Ελευθερώστε τη λαβή λειτουργίας για να απενεργοποιήσετε τη χλοοκοπτική μηχανή, περιμένετε να σταματήσει η λεπίδα και αποσυνδέστε τη χλοοκοπτική μηχανή από την πρίζα.

- ◆ Κόψτε ένα κομμάτι ξύλου διατομής 5x10 εκ. (14) (μήκους περίπου 610 mm) για να εμποδίσετε την περιστροφή της λεπίδας κατά την αφαίρεση του μπουλονιού (13).
- ◆ Να φοράτε γάντια και κατάλληλα προστατευτικά των ματιών.
- ◆ Γυρίστε τη χλοοκοπτική μηχανή στο πλάι της. Προσέχετε τις κοφτερές άκρες της λεπίδας. Τοποθετήστε το ξύλο και ξεβιδώστε το μπουλόνι με κλειδί 13 mm (36), όπως δείχνει η εικόνα Ι.
- ◆ Σημειώστε τον προσανατολισμό κάθε εξαρτήματος καθώς το αφαιρείτε. Αφαιρέστε το μπουλόνι (15) και τη ροδέλα (16). Αφαιρέστε τραβώντας τη λεπίδα (17) όπως δείχνει η Εικόνα J. Εξετάστε όλα τα εξαρτήματα για ζημιά και αντικαταστήστε όποια χρειάζεται.
- ◆ Η λεπίδα μπορεί να συνδεθεί στον ανεμιστήρα (20) μόνο σε μία κατεύθυνση. Για την επανατοποθέτηση, ευθυγραμμίστε την οπή σχήματος D της λεπίδας με την προεξοχή σχήματος D του ανεμιστήρα και βεβαιωθείτε ότι η επιγραφή πάνω στη λεπίδα κοιτάζει προς τα έξω, αντίθετα με τη χλοοκοπτική μηχανή.
- ◆ Για να σφίξετε, τοποθετήστε το κομμάτι του ξύλου όπως δείχνει η Εικόνα K, για να εμποδίσετε να περιστραφεί η λεπίδα. Περάστε το μπουλόνι μέσα από τη ροδέλα και σφίξτε το μπουλόνι δεξιόστροφα στη θέση του χρησιμοποιώντας ένα κλειδί 13 mm (13) όπως δείχνει η Εικόνα K.

Ακόνισμα της λεπίδας

Διατηρείτε τη λεπίδα κοφτερή για να έχετε την καλύτερη δυνατή απόδοση από τη χλοοκοπτική μηχανή. Μια στομωμένη λεπίδα δεν κόβει καλά το γρασίδι. Χρησιμοποιείτε κατάλληλη προστασία ματιών ενώ αφαιρείτε, ακονίζετε και εγκαθιστάτε τη λεπίδα. Βεβαιωθείτε ότι έχουν αφαιρεθεί το κλειδί ασφαλείας και τα πακέτα μπαταριών.

Το καθαρίσμα της λεπίδας δύο φορές κατά τη διάρκεια της εποχής κουρέματος του γκαζόν είναι συνήθως αρκετό υπό κανονικές συνθήκες.

Το αμμόδες χρώμα στομώνει τη λεπίδα γρήγορα. Αν το γκαζόν σας έχει αμμόδες έδαφος, ίσως να απαιτείται συχνότερο ακόνισμα της λεπίδας.

Σημείωση: Αντικαταστήστε άμεσα τη λεπίδα αν έχει λυγίσει ή έχει υποστεί ζημιά.

Όταν ακονίζετε τη λεπίδα:

- ◆ Βεβαιωθείτε ότι η λεπίδα παραμένει ζυγοσταθμισμένη.
- ◆ Ακονίζετε τη λεπίδα στην αρχική της γωνία κοπής.
- ◆ Ακονίζετε τις άκρες κοπής και από τις δύο πλευρές της λεπίδας, αφαιρώντας ίσες ποσότητες υλικού και από τα δύο άκρα.

Για να ακονίσετε λεπίδα σε μέγγενη (εικ. L)

- ◆ Βεβαιωθείτε ότι έχετε ελευθερώσει τη λαβή λειτουργίας, ότι η λεπίδα έχει σταματήσει και η χλοοκοπτική μηχανή έχει αποσυνδεθεί από την πρίζα, πριν αφαιρέσετε τη λεπίδα.
- ◆ Αφαιρέστε τη λεπίδα από τη χλοοκοπτική μηχανή. Δείτε τις οδηγίες για αφαίρεση και εγκατάσταση της λεπίδας.
- ◆ Στερεώστε τη λεπίδα (17) σε μια μέγγενη.
- ◆ Φοράτε κατάλληλη προστασία ματιών και γάντια και προσέχετε να μην κοπείτε. Λιμάρτε προσεκτικά τις άκρες κοπής της λεπίδας με μια λίμα με λεπτές οδοντώσεις ή με μια πέτρα ακονίσματος, διαπρώνοντας τη γωνία της αρχικής άκρης κοπής. Ελέγξτε τη ζυγοστάθμιση της λεπίδας. Δείτε τις οδηγίες σχετικά με τη ζυγοστάθμιση της λεπίδας.
- ◆ Επαναποθετήστε τη λεπίδα στη χλοοκοπτική μηχανή και σφίξτε την καλά.

Ζυγοστάθμιση της λεπίδας

Ελέγξτε τη ζυγοστάθμιση της λεπίδας (17) τοποθετώντας την κεντρική της οπή πάνω σε ένα καρφί ή σε ένα κατασβίδι με στρογγυλό στέλεχος, που έχει συσφιχτεί οριζόντια σε μέγγενη. Αν κάποιο από τα δύο άκρα της λεπίδας περιστρέφεται προς τα κάτω, λιμάρτε κατά μήκος της αιχμηρής ακμής αυτού του άκρου που πέφτει. Η λεπίδα είναι σωστά ζυγοσταθμισμένη όταν δεν πέφτει κανένα από τα δύο άκρα.

Λίπανση

Δεν απαιτείται λίπανση. Μη λιπαίνετε τους τροχούς. Έχουν πλαστικές επιφάνειες έδρασης οι οποίες δεν χρειάζονται λίπανση.

Καθαρισμός

Ελευθερώστε τη λαβή λειτουργίας (2) για να απενεργοποιήσετε τη χλοοκοπτική μηχανή και αφήστε τη λεπίδα να σταματήσει. Για τον καθαρισμό της μηχανής, χρησιμοποιήστε αποκλειστικά ήπιο σαπούνι και υγρό πανί. Καθαρίστε τυχόν κομμάτια γρασιδιού που μπορεί να έχουν συσσωρευτεί από την κάτω πλευρά του δαπέδου της μηχανής. Μετά από αρκετές χρήσεις, ελέγξτε όλα τα εκτεθειμένα στοιχεία στερέωσης για καλή σύσφιξη.

Προστασία από τη διάβρωση

Λιπάσματα και άλλα χημικά κήπου περιέχουν παράγοντες που επιταχύνουν σε μεγάλο βαθμό τη διάβρωση των μετάλλων. Εάν κουρεύετε γκαζόν σε περιοχές όπου έχουν χρησιμοποιηθεί λιπάσματα ή χημικά, πρέπει να καθαρίζετε τη χλοοκοπτική αμέσως μετά τη χρήση της ως εξής: Ελευθερώστε τη λαβή λειτουργίας (2) για να απενεργοποιήσετε τη χλοοκοπτική μηχανή και αποσυνδέστε τη χλοοκοπτική μηχανή από την πρίζα. Σκουπίστε όλα τα εκτεθειμένα μέρη με ένα υγρό πανί.

Συντήρηση

Αυτή η συσκευή/το εργαλείο ρεύματος/μπαταρίας της BLACK+DECKER έχει σχεδιαστεί έτσι ώστε να λειτουργεί για μεγάλο χρονικό διάστημα με την ελάχιστη δυνατή συντήρηση. Η αδιάλειπτη και ικανοποιητική λειτουργία του εργαλείου/της συσκευής εξαρτάται από τη φροντίδα και τον τακτικό καθαρισμό του/της.

Προειδοποίηση! Πριν πραγματοποιήσετε οποιαδήποτε συντήρηση σε ηλεκτρικά εργαλεία ρεύματος/μπαταρίας:

- ◆ Απενεργοποιήστε και αποσυνδέστε από την πρίζα τη συσκευή/το εργαλείο.
- ◆ Η χρησιμοποίησή της μπαταρίας μέχρι να αδειάσει εντελώς και στη συνέχεια απενεργοποιήστε.
- ◆ Αποσυνδέστε το φορτιστή από την πρίζα πριν τον καθαρίσετε. Ο φορτιστής σας δεν χρειάζεται καμία άλλη συντήρηση πέραν του τακτικού καθαρισμού.
- ◆ Καθαρίζετε τακτικά τις εγχοπές εξαερισμού του εργαλείου/της συσκευής και του φορτιστή με μια μαλακή βούρτσα ή ένα στεγνό πανί.
- ◆ Να καθαρίζετε τακτικά το περιβλήμα του μοτέρ με ένα ελαφρά υγρό πανί. Μη χρησιμοποιείτε καθαριστικά που χαράζουν ή περιέχουν διαλύτες.
- ◆ Χρησιμοποιείτε τακτικά μια μη αιχμηρή ξύστρα για να αφαιρέσετε το γρασίδι και το χώμα από το κάτω μέρος του προστατευτικού.

Αντιμετώπιση προβλημάτων

Αν η συσκευή σας φαίνεται να μη λειτουργεί σωστά, ακολουθήστε τις παρακάτω οδηγίες.

Αν αυτό δεν σας βοηθήσει να επιλύσετε το πρόβλημα, επικοινωνήστε με το πλησιέστερο κέντρο επισκευών της BLACK+DECKER.

Προειδοποίηση! Πριν συνεχίσετε, απελευθερώστε τη μπάρα λειτουργίας για να απενεργοποιήσετε τη χλοοκοπτική μηχανή και περιμένετε να σταματήσει η λεπίδα.

Πρόβλημα	Πιθανή λύση
Η χλοοκοπτική μηχανή δεν λειτουργεί όταν ενεργοποιείται η λαβή λειτουργίας.	Ελέγξτε για να βεβαιωθείτε ότι η χλοοκοπτική μηχανή έχει συνδεθεί σωστά στο ρεύμα και ότι το κουμπί στο κομπί διακόπτη έχει πατηθεί τελείως πριν τραβήξετε τη λαβή λειτουργίας.
	Ελευθερώστε τη λαβή λειτουργίας για να απενεργοποιήσετε τη χλοοκοπτική μηχανή. Αφαιρέστε τα πακέτα μπαταριών, γυρίστε τη χλοοκοπτική μηχανή ανάποδα και ελέγξτε ότι η λεπίδα μπορεί να περιστρέφεται ελεύθερα.
	Ελέγξτε ότι ο χώρος της μπαταρίας δεν έχει υπολείμματα βρωμιάς και ότι η μπαταρία είναι συνδεδεμένη σωστά.
	Είναι η μπαταρία πλήρως φορτισμένη; Πίστετε το κουμπί κατάστασης φόρτισης.

Πρόβλημα	Πιθανή λύση
Το μοτέρ σταματάει ενώ κουρεύετε το γκαζόν.	<p>Ελευθερώστε τη λαβή λειτουργίας για να απενεργοποιήσετε τη χλοοκοπτική μηχανή. Αφαιρέστε τα πακέτα μπαταριών, γυρίστε τη χλοοκοπτική μηχανή ανάποδα και ελέγξτε ότι η λεπίδα μπορεί να περιστρέφεται ελεύθερα.</p> <p>Αυξήστε το ύψος κοπής των τροχών στην πιο ψηλή θέση και θέστε σε λειτουργία τη χλοοκοπτική μηχανή.</p> <p>Ελέγξτε ότι ο χώρος της μπαταρίας δεν έχει υπολείμματα βρωμιάς και ότι η μπαταρία είναι συνδεδεμένη σωστά</p> <p>Είναι η μπαταρία πλήρως φορτισμένη; Πιέστε το κουμπί κατάστασης φόρτισης</p> <p>Αποφύγετε την υπερφόρτωση της χλοοκοπτικής μηχανής. Χαμηλώστε το ρυθμό κοπής ή αυξήστε το ύψος της κοπής.</p>
Η χλοοκοπτική μηχανή λειτουργεί αλλά η απόδοση κοπής δεν είναι ικανοποιητική.	<p>Ελευθερώστε τη λαβή λειτουργίας για να απενεργοποιήσετε τη χλοοκοπτική μηχανή. Αποσυνδέστε τη χλοοκοπτική μηχανή από την πρίζα. Γυρίστε τη χλοοκοπτική μηχανή ανάποδα και ελέγξτε:</p> <ul style="list-style-type: none"> Τη λεπίδα για αιχμηρότητα - Διατηρείτε τη λεπίδα αιχμηρή. Το κάλυμμα και τη χοάνη εξαγωγής για απόφραξη. <p>Μπορεί το ύψος των τροχών να έχει ρυθμιστεί πολύ χαμηλά για την κατάσταση του γκαζόν. Αυξήστε το ύψος κοπής.</p>
Είναι πολύ δύσκολο να στρώσετε τη χλοοκοπτική μηχανή.	<p>Ελευθερώστε τη λαβή λειτουργίας για να απενεργοποιήσετε τη χλοοκοπτική μηχανή. Αποσυνδέστε τη χλοοκοπτική μηχανή από την πρίζα. Αυξήστε το ύψος κοπής για να μειώσετε την αντίσταση τριβής του δαπέδου της μηχανής πάνω στο γρασίδι. Ελέγξτε τον κάθε τροχό εάν περιστρέφεται ελεύθερα</p>
Η χλοοκοπτική μηχανή παράγει ασυνήθιστο θόρυβο και κραδασμούς.	<p>Ελευθερώστε τη λαβή λειτουργίας για να απενεργοποιήσετε τη χλοοκοπτική μηχανή. Αφαιρέστε τα πακέτα μπαταριών. Γυρίστε τη χλοοκοπτική μηχανή στο πλάι και ελέγξτε τη λεπίδα για να διασφαλίσετε ότι δεν έχει λυγίσει ή υποστεί ζημιά. Αν η λεπίδα έχει υποστεί ζημιά, αντικαταστήστε την με ανταλλακτική λεπίδα BLACK+DECKER. Εάν το κάτω μέρος του δαπέδου της χλοοκοπτικής μηχανής έχει υποστεί ζημιά, παραδώστε τη μηχανή σε εξουσιοδοτημένο κέντρο σέρβις BLACK+DECKER.</p> <p>Εάν δεν υπάρχει ορατή ζημιά στη λεπίδα και η χλοοκοπτική μηχανή ακόμη παρουσιάζει κραδασμούς:</p> <ul style="list-style-type: none"> Ελευθερώστε τη λαβή λειτουργίας για να απενεργοποιήσετε τη χλοοκοπτική μηχανή. Αφαιρέστε τα πακέτα μπαταριών. Αποσυρματωλόγηστε ολόκληρο το συγκρότημα λεπίδας όπως περιγράφεται στην ενότητα "Αφαίρεση και εγκατάσταση της λεπίδας". Αφαιρέστε τυχόν υπολείμματα και καθαρίστε κάθε εξάρτημα. Επαναποθετήστε κάθε εξάρτημα όπως περιγράφεται στην ενότητα "Αφαίρεση και εγκατάσταση της λεπίδας". <p>Αν η χλοοκοπτική μηχανή και πάλι παρουσιάζει κραδασμούς, παραδώστε την σε εξουσιοδοτημένο κέντρο σέρβις BLACK+DECKER.</p>
Δεν ανάβουν οι λυχνίες του φορτιστή μπαταρίας.	<p>Ελέγξτε την σύνδεση του φις.</p> <p>Αντικαταστήστε το φορτιστή.</p>

Πρόβλημα	Πιθανή λύση
Η χλοοκοπτική μηχανή δεν συλλέγει το κομμένο γρασίδι με σάκο.	<p>Φραγμένη χοάνη. Ελευθερώστε τη λαβή λειτουργίας για να απενεργοποιήσετε τη χλοοκοπτική μηχανή. Αφαιρέστε τα πακέτα μπαταριών. Καθαρίστε τη χοάνη από τα κομμάτια γρασιδιού.</p> <p>Αυξήστε το ύψος κοπής των τροχών για να μειώσετε το μήκος κοπής.</p> <p>Σάκος πλήρης. Αδειάζετε το σάκο πιο συχνά.</p>

Προστασία του περιβάλλοντος



Χωριστή συλλογή. Τα προϊόντα και οι μπαταρίες που επισμαίνονται με αυτό το σύμβολο δεν πρέπει να απορριπτούν μαζί με τα κανονικά οικιακά απορρίμματα.

Τα προϊόντα και οι μπαταρίες περιέχουν υλικά που μπορούν να ανακτηθούν ή να ανακυκλωθούν, ώστε να μειωθούν οι ανάγκες για πρώτες ύλες. Παρακαλούμε να ανακυκλώνετε τα ηλεκτρικά προϊόντα και τις μπαταρίες σύμφωνα με τους τοπικούς κανονισμούς. Περισσότερες πληροφορίες διατίθενται στον ιστότοπο www.2helpU.com

Τεχνικά χαρακτηριστικά

		BCM3318	BCM3336
Τάση	Vdc	18 V	36 V
Ταχύτητα χωρίς φορτίο	min ⁻¹	3800 σ.α.λ.	3800 σ.α.λ.
Βάρος	kg	15	15
Μήκος λεπίδας	cm	33	33

Μπαταρίες				Φορτιστές (λεπτά)					
Αρ. κει.	Vdc	Αh	Βάρος, kg	Αρ. κει.	90S9028*	N917388*	BDC1A	BDC2A	BDC2A36
				A	400 mA	1 A	1 A	2 A	1,35 A
BL1518	18	1,5	0,38	BL1518	225	90	90	45	X
BL1518BT	18	1,5	0,38	BL1518BT	225	90	90	45	X
BL2018	18	2,0	0,39	BL2018	300	120	120	60	X
BL2018BT	18	2,0	0,39	BL2018BT	300	120	120	60	X
BL2518	18	2,5	0,43	BL2518	380	150	150	75	X
BL4018	18	4,0	0,64	BL4018	600	240	240	120	X
BL5018	18	5,0	0,7	BL5018	750	300	300	135	X
BL20362	36	2,0	0,64	BL20362	X	X	X	X	90
BL2536	36	2,5	0,68	BL2536	X	X	X	X	110
BL1554	18/54	1,5	1,08	BL1554	225	90	90	45	X
BL2554	18/54	2,5	1,2	BL2554	380	150	150	75	X

Σταθμισμένη τιμή κραδασμών συστήματος χειριού/βραχίονα:
 $= <2,5 \text{ m/s}^2$, αβεβαιότητα (K) = $1,5 \text{ m/s}^2$.

L_{w} (ηχητική πίεση) 74,5 dB(A)

αβεβαιότητα (K) = 2,5 dB(A)

L_{WA} (ηχητική ισχύς) 86 dB(A)

αβεβαιότητα (K) = 1,5 dB(A)

Δήλωση συμμόρφωσης ΕΚ
ΟΔΗΓΙΑ ΠΕΡΙ ΜΗΧΑΝΗΜΑΤΩΝ
ΟΔΗΓΙΑ ΓΙΑ ΘΟΥΡΒΟΥΣ ΣΕ ΕΞΩΤΕΡΙΚΟΥΣ ΧΩΡΟΥΣ



BCMW3318, BCMW3336 Χλοοκοπτική μηχανή

Η Black & Decker δηλώνει ότι τα προϊόντα αυτά
 που περιγράφονται στα "τεχνικά χαρακτηριστικά"

συμμορφώνονται με τα ακόλουθα:

2006/42/ΕΚ, EN 60335-1:2012 + A11:2014,
 EN 60335-2-77:2010

2000/14/ΕΚ, Χλοοκοπτική μηχανή, L < 50cm, Παράρτημα VI,
 DEKRA Certification B.V. Meander 1051 / P.O. Box 5185
 6825 MJ ARNHEM / 6802 ED ARNHEM, Ολλανδίας
 Αρ. ID Διακοινωμένου Οργανισμού: 0344

Στάθμη ηχητικής ισχύος σύμφωνα με 2000/14/ΕΚ (Άρθρο 12,
 Παράρτημα III, L < 50 cm):

L_{wa} (μετρούμενη ηχητική ισχύς) 86 dB(A)
 αβεβαιότητα (K) = 1,5 dB(A)

L_{wA} (εγγυημένη ηχητική ισχύς) 96 dB(A)

Αυτά τα προϊόντα συμμορφώνονται επίσης με την οδηγία
 2014/30/ΕΕ, 2011/65/ΕΕ. Για περισσότερες πληροφορίες,
 επικοινωνήστε με την Black & Decker στην παρακάτω
 διεύθυνση ή ανατρέξτε στο πίσω μέρος του εγχειριδίου.

Ο κάτωθι υπογεγραμμένος είναι υπεύθυνος για την κατάρτιση
 του τεχνικού φακέλου και δηλώνει τα παρόντα εκ μέρους της
 Black & Decker.

Becky Cotsworth

Διευθύντρια - Ομάδα προϊόντων εξωτερικού χώρου
 Black & Decker Europe, 270 Bath Road, Slough,
 Berkshire, SL1 4DX
 United Kingdom (Ηνωμένο Βασίλειο)

11/10/2019

Για να υποβάλετε αξίωση βάσει της εγγύησης, η αξίωση θα
 πρέπει να είναι σύμφωνη με τους Όρους και προϋποθέσεις
 της Black&Decker και θα χρειαστεί να υποβάλετε απόδειξη
 αγοράς στον πωλητή ή σε εξουσιοδοτημένο αντιπρόσωπο
 σέρβις. Μπορείτε να αποκτήσετε τους Όρους και
 προϋποθέσεις της εγγύησης 2 ετών της Black&Decker και να
 μάθετε την τοποθεσία του πλησιέστερου εξουσιοδοτημένου
 αντιπροσώπου σέρβις στο Internet στο www.2helpU.com, ή
 επικοινωνώντας με το τοπικό σας γραφείο Black & Decker
 στη διεύθυνση που υποδεικνύεται στο παρόν εγχειρίδιο.

Παρακαλούμε επισκεφθείτε την ιστοσελίδα μας www.blackanddecker.gr για να καταχωρίσετε το νέο σας προϊόν
 Black & Decker και για να ενημερώνεστε για τα νέα προϊόντα
 και τις ειδικές προσφορές.

Εγγύηση

Η Black & Decker είναι σίγουρη για την ποιότητα των
 προϊόντων της και προσφέρει στους καταναλωτές εγγύηση
 24 μηνών από την ημερομηνία αγοράς. Αυτή η εγγύηση 75
 συμπληρώνει και με κανένα τρόπο δεν παραβλάπτει
 τα νόμιμα δικαιώματά σας. Η εγγύηση ισχύει εντός της
 επικράτειας των χωρών μελών της Ευρωπαϊκής Ένωσης και
 της Ευρωπαϊκής Ζώνης Ελεύθερων Συναλλαγών.

België/Belgique/Luxembourg www.blackanddecker.be enduser.be@sbdinc.com	Stanley Black & Decker Belgium BVBA Egide Walschaertsstraat 16 2800 Mechelen	Tel. NL +32 15 47 37 65 Tel. FR +32 15 47 37 66 Fax. +32 15 47 37 99
Danmark	Black & Decker Roskildevej 22 2620 Albertslund	kundeservice.dk@sbdinc.com www.blackanddecker.dk
Deutschland www.blackanddecker.de infobdgc@sbdinc.com	Stanley Black & Decker Deutschland GmbH Black & Decker Str. 40, D - 65510 Idstein	Tel. 06126 21-0 Fax 06126 21-2980
Ελλάδα www.blackanddecker.gr greece.service@sbdinc.com	Stanley Black & Decker (ΕΛΛΑΣ) Ε.Π.Ε ΓΡΑΦΕΙΑ: Σπύριδωνος 7 & Βουλιαγμένης 166 74 Γλυφάδα - Αθήνα	Τηλ. 210-8981616 Φαξ 210-8983570
SERVICE:	Ημερος Τόπος 2 -Χάνι Αδάμ 193 00 Ασπρόπυργος - Αθήνα	Τηλ. Service 210-8985208 Φαξ 210-5597598
España www.blackanddecker.es respuesta.posventa@sbdinc.com	Stanley Black & Decker Ibérica, S.C.A. Parc de Negocis "Mas Blau" Edificio Muntadas, c/Bergadá, 1, Of. A6 08820 El Prat de Llobregat (Barcelona)	Tel. 934 797 400 Fax 934 797 419
France www.blackanddecker.fr	Black & Decker (France) S.A.S. 5 allée des Hêtres B.P. 30084 69579 Limonest Cédex	Tel. 04 72 20 39 20 Fax 04 72 20 39 00
Helvetia www.blackanddecker.ch service@rofoag.ch	ROFO AG Gewerbezone Seeblick 3213 Kleinbödingen	Tel. 026-6749393 Fax 026-6749394
Italia www.blackanddecker.it service.italia@sbdinc.com	Stanley Black & Decker Italia Via Energypark 6 20871 Vimercate (MB)	Tel. 039-9590200 Fax 039-9590313 Numero verde 800-213935
Nederland www.blackanddecker.nl enduser.nl@sbdinc.com	Stanley Black & Decker Netherlands BV Holtum Noordweg 35, 6121 RE BORN Postbus 83, 6120 AB BORN	Tel. +31 164 283 065 Fax +31 164 283 200
Norge	Black & Decker Postboks 4613, Nydalen 0405 Oslo	kundeservice.no@sbdinc.com www.blackanddecker.no
Österreich www.blackanddecker.at service.austria@sbdinc.com	Stanley Black & Decker Austria GmbH Oberlaaerstraße 248, A-1230 Wien	Tel. 01 66116-0 Fax 01 66116-614
Portugal www.blackanddecker.pt resposta.posvenda@sbdinc.com	Black & Decker Limited SARL Quinta da Fonte - Edifício Q55 D. Diniz Rua dos Malhães, 2 e 2A - Piso 2 Esquerdo 2770 - 071 Paço de Arcos	Tel. 214667500 Fax 214667580
Suomi	Black & Decker PL47 00521, Helsinki	asiakaspalvelu.fi@sbdinc.com www.blackanddecker.fi
Sverige	Black & Decker AB Box 94, 431 22 Mölndal	kundservice.se@sbdinc.com www.blackanddecker.se
Türkiye www.blackanddecker.com.tr	KALE Hirdavat ve Makina A.Ş. Defferdar Mah. Savaklar Cad. No:15 Edimekapı / Eyüp / İstanbul 34050	Tel. 0212 533 52 55 Fax. 0212 533 10 05
United Kingdom & Republic Of Ireland www.blackanddecker.co.uk emeaservice@sbdinc.com	Black & Decker 270 Bath Road Slough, Berkshire SL1 4DX	Tel. 01753 511234 Fax 01753 512365
Middle East & Africa www.blackanddecker.ae service.mea@sbdinc.com	Black & Decker P.O.Box - 17164 Jebel Ali Free Zone (South), Dubai. UAE	Tel. +971 4 8863030 Fax +971 4 8863333